

Series
E60/E120/E240



UL CE Ex IECEx IP68

Economical. Eco-Friendly. Intrinsically Safe.



Pulsarlube **E**



Features & Advantages

Reliable

Less dispensing variation against ambient temperature differences due to inert Nitrogen gas generation

Economical

Provides low cost lubrication solution without compromising performance

Eco-Friendly

Eco-friendly product, where applicable parts can be disposed of separately

Intrinsic Safety

Certified CE, ATEX, UL for use in hazardous areas

Trouble-free Operation & Installation

- ▶ Various dispensing settings & grease pouch volumes to suit a wide range of industrial applications
- ▶ Easy to adjust dispensing periods, even while in operation
- ▶ Easy to install in hazardous & confined areas



Typical Applications



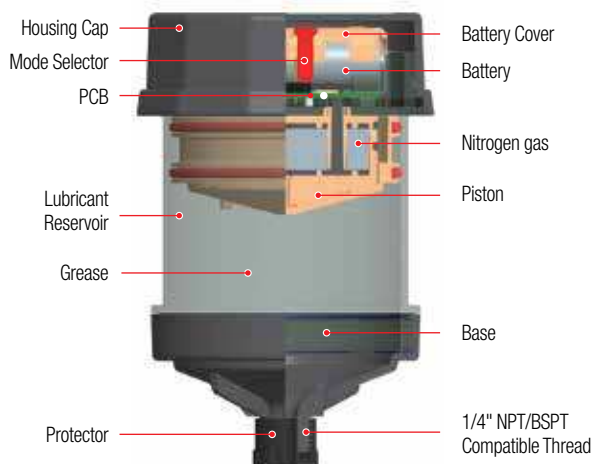
- Automotives
- Motors & pumps
- Petrochemical plants
- Paper mills, steel mills, cement plants where water & excessive contaminants exist
- Electronics industries in need of small amounts of lubricant (60ml)



Details



Specifications



Grease Capacity

60 ml / 120 ml / 240 ml

Gas Type

Nitrogen (N₂) gas

Gas Generating Method

Electrochemical reaction

Operating Pressure

Max. 5 kgf/cm² (70 psi)

Operating Temperature

-20°C ~ 55°C (-4°F ~ 131°F)

Dispensing Periods

1, 3, 6, 9 & 12 month

Product Certifications & IP Code

ATEX / UL / IECEx / KCs / CE / IP68

Remote Installation

Max. 1 m (3ft) with Ø8mm tube