

Component parts list

Demag DH 1000 hoist unit

Contents

	Page
Main hoist motor KBH 140 B4	4
Main hoist motor KBH 160 B4	6
Main/creep hoist motor KBH 160 B2/12-F6	6
Main/creep hoist motor KBH 180 B2/12-F6	8
Main hoist motor KBH 200 B6	10
Main/creep hoist motor KBH 200 B2/12-F6	10
3-stage planetary gearbox for two speeds	12
3-stage planetary gearbox for one speed	14
2-stage planetary gearbox for one speed	16
Frame, rope drum, rope guide, rope	18
2/1 reeving	
Rope retaining crosshead	20
4/1 reeving	
Rope retaining crosshead and return sheave 365/20 für DH 1063, 1050, 1040	22
Rope retaining crosshead and return sheave 450/20 für DH 1032, 1025	24
4/1 reeving, type B	
Rope retaining crosshead and return sheave 365/20 für DH 1063, 1050, 1040	26
Rope retaining crosshead and return sheave 450/20 für DH 1032, 1025	28
4/2 reeving	
Compensating sheave 225/14	30
Hook with fittings 1/1	31
2/1 reeving	
Bottom block 365/20, DH 1063, 1050, 1040	32
Bottom block 450/20, DH 1032, 1025	33
4/1 reeving	
Bottom block 365/20, DH 1063, 1050, 1040	34
Bottom block 450/20, DH 1032, 1025	35
4/2 reeving	
Bottom block 280/14, DH 1063, 1050, 1040	36
Bottom block 365/14, DH 1032, 1025	37
Electrical components	38
Mechanical microspeed unit FG08	40
FG10	42
Creep hoist motor KBA 80 B4	44
KBA 90 B4	46
KBA 100 B4	48

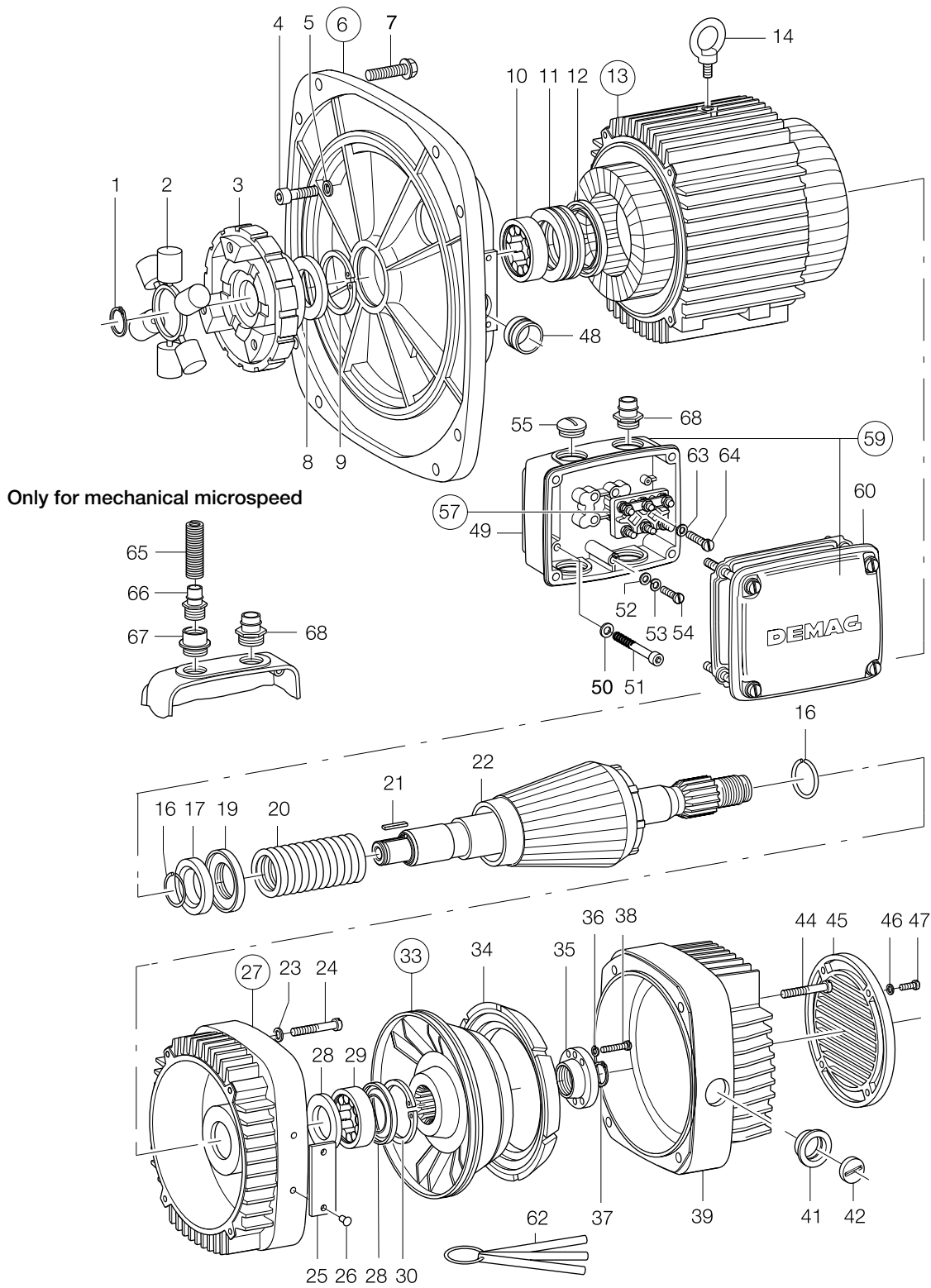
Contents

	Page
EUDH 1000 standard headroom monorail hoist	
Trolley size 10	
2/1 reeving and 4/2 - H 16 - H 24 - H 40	50
Travel drives AMK 20/AUK 30	52
Trolley size 10 with two AUK 30 travel drives	53
EKDH 1000 low-headroom monorail hoist	
Trolley size 10	
2/1 reeving and 4/2 - H 16 - H 24 - H 40	54
2/1 reeving	
Rope retaining crosshead	56
4/2 reeving	
Compensating sheave 225/14	57
Travel drives AMK 20/AUK 30	58
Trolley size 10 with two AUK 30 travel drives	59
Fahrtriebe für Einschienenkatze	
Trolley size 10	
2/1 reeving and 4/2 - H 16 - H 24 - H 40	
Travel drive	AMK20 DD 60
Travel motor	ZBF 63 D 62
	ZBF 71 D 64
	ZBF 80 D 66
Travel drive	AUK30 DD 68
Travel motor	ZBF 90 D 70
	ZBF 100 D 72

Main hoist motor KBH 140 B4

Motor KBH 140 B4, 230/400V, c/w items 1, 4 - 6, 13, 16, 17, 19 - 27, 33, 35 - 47, 59

Part No.
080 079 84



Main hoist motor KBH 140 B4

Item no.	Part no.	Quantity	Designation	Material	Standard
1	34253299	1	RETAINING RING 32X1,5	FEDST	DIN 471
2	71842144	1	ROLL.SPIDER COUPL. H3		
3	71845544	1	COUPLING HALF H 3ND-32K		
4	31925899	4	HEX.SOCK.SCREW M 10X35	10.9	DIN 912
5	00505998	4	LOCK WASHER S10		
6	08465984	1	END CAP, KBH140		
7	30024344	4	LOCK.SCR M12X75 VB.RIPP		
8	00463498	1	SEAL. RING 46,2X 80X 7		
9	34266599	1	RETAINING RING 80X2,5	FEDST	DIN 472
10	36545799	1	CYL.RO.BRG RNU 307 ECP	WLZ-ST	DIN- 5412
11	36401399	1	BALL THR. BRG.51113	WLZ-ST	DIN 711
12	08480184	1	SEAL. RING 76 X90,5X6		
13	08103284	1	STATOR 240/415V50AB		
14	31350299	1	EYE-BOLT M 12	C 15	DIN 580
16	37414644	2	SPRING RING 46,2X1,6		
17	08480884	1	THR. RINGS KB 140 SET		
19	08482284	1	DISH. WASH.PACK KB 140		
20	08477684	1	SPR. 8 X54 X114 YEBL	1588 N	
21	35447199	1	KEY B 10X8X2		
22	08430984	1	ROTOR KBA 140B 4 GEAR.		
23	00505998	4	LOCK WASHER S10		
24	31926299	4	HEX. SOCKET SCREW	10.9	DIN 912
25	06988984	1	RAT.PLATE KBH BLANK		
26	35041399	2	GROOVED PIN A 2,6X6		
27	08460684	1	BRAKE END CAP, KB 140		
28	00463498	2	SEAL. RING 46,2X 80X 7		
29	36545799	1	CYL.RO.BRG RNU 307 ECP	WLZ-ST	DIN- 5412
30	34266599	1	RETAINING RING 80X2,5	FEDST	DIN 472
33	08479184	1	CON. BR. DISC LIGHT 532		
34	08478684	1	CONICAL BRAKE LINING		
35	08471484	1	ADJUST. NUT KB 140		
36	00465698	4	LOCK WASHER 8		
37	34253599	1	RETAINING RING 35X1,5	FEDST	DIN 471
38	31924399	4	HEX HD SCREW M8X30	10.9	DIN 912
39	08470184	1	BRAKE CAP CHROM.		
39	08470384	1	BRAKE CAP CHROM.		
41	60104944	1	INSPECTION EYE		
42	60105044	1	INSPECTION WINDOW		
44	31926299	4	HEX. SOCKET SCREW	10.9	DIN 912
45	08491184	1	LOUVER KB 140 METAL		
46	00465698	4	LOCK WASHER 8		
47	31819199	4	CH.HD.SCR M 8X16	4.8 A2F	DIN 84
48	08480284	1	KABEL ENTRY SLEEVE		
49	08497584	1	TER.BOX BASE KB 140-160		
50	00465698	4	LOCK WASHER 8		
51	31934599	4	HEX.SOCK.SCR M 8 X 45	10.9	DIN 912
52	34065399	1	WASHER 6,4	140HV A2F	DIN 125
53	00465598	1	LOCK WASHER S 6		
54	32905899	1	CHEESE HD. SCREW M 6X12	4.8 A2F	DIN 84
55	00724098	4	THREADED PLUG PG29 D		
57	08492284	1	TERM. PLATE KB140/160		
59	08498584	1	TERMINAL BOX KB140-160		
60	08497484	1	TERMINAL BOX COVER, CPL		
62	10015384	3	FEELER GAUGE SET		
63	00465598	2	LOCK WASHER S 6		
64	32530599	2	SELF-TAP.SCR. BM 6X20		
65	89506144	1	HOSE CORRUG. FFMYDNW17		
66	36053846	1	PIPE SOCKET PG16/CR.SP.	ST A2F	DIN 7513
67	89501744	1	ADAPTOR UNION PG29-16 K		
68	36054846	1	PIPE SOCKET PG29/NW37		

22231101.tbl

1) When ordering a rotor or stator a set of thrust rings (item 17) must be ordered additionally for adjusting the air gap (0,40 mm with feeler gauge set item 62).

2) For service in arduous conditions, galvanized brake surface.

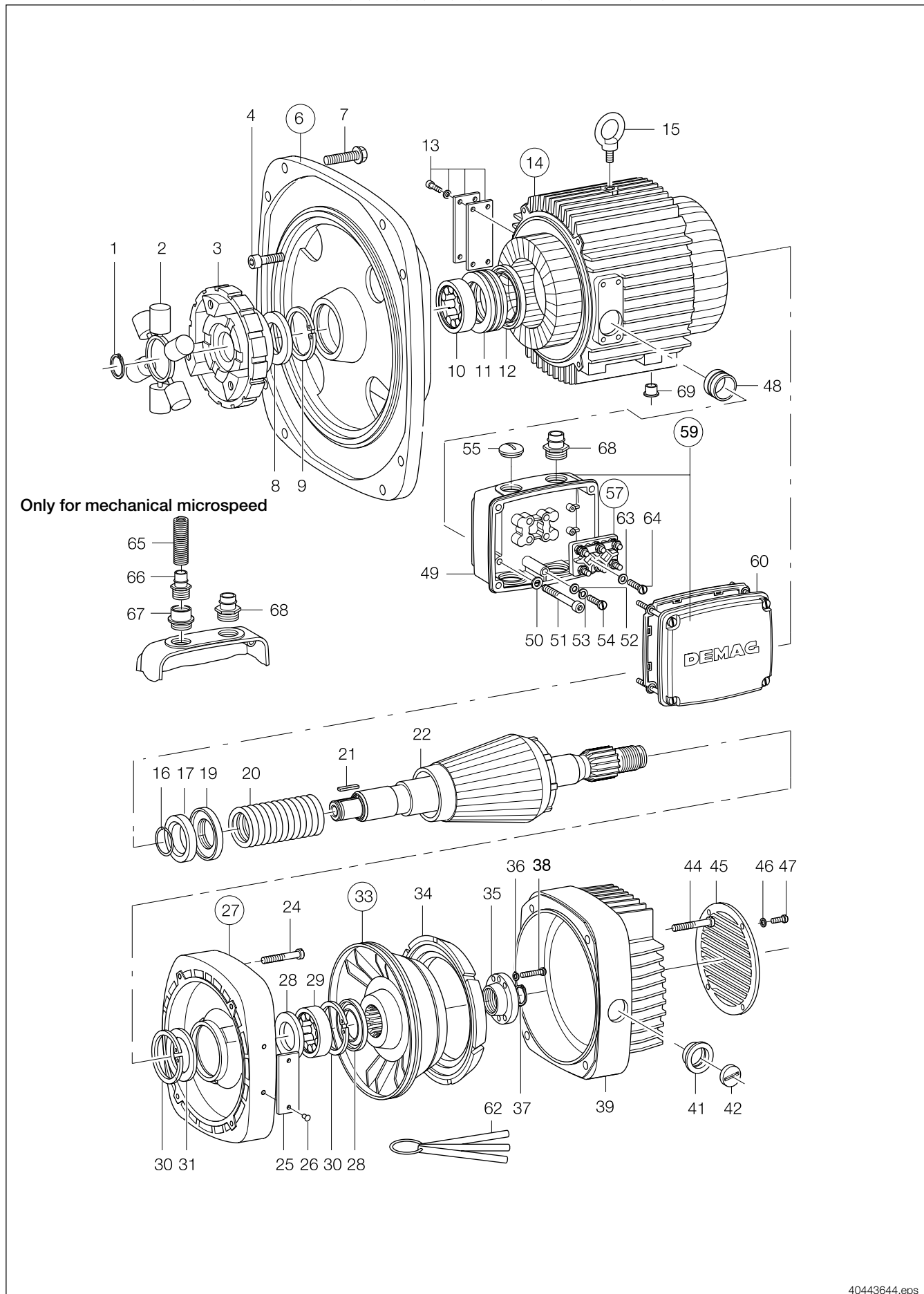
3) Required air gap between stator bore and rotor 0,40 mm.

Main hoist motor KBH 160 B4

Main/creep hoist motor KBH 160 B2/12-F6

Motor KBH 160 B4, 230/400V, c/w items 1, 4, 6, 13, 14, 16, 17, 19 - 27, 33, 35 - 47, 59, 69
 Motor KBH 160 B2/12-F6, 400V, c/w items 1, 4, 6, 13, 14, 16, 17, 19 - 27, 33, 35 - 47, 59, 69

Part No.
 085 027 84
 085 028 84



Main hoist motor KBH 160 B4

Main/creep hoist motor KBH 160 B2/12-F6

Item no.	Part no.	Quantity	Designation	Material	Standard
1	34254299	1	RETAINING RING 42X1,75	FEDST	DIN 471
2	71842144	1	ROLL.SPIDER COUPL. H3		
3	71845744	1	COUPLING HALF H 3ND-42		
4	31925999	4	CHEESE HEAD SCREW	10.9	DIN 912
6	08966084	1	END CAP, CPL. DH1000		
7	30024344	8	LOCK.SCR M12X75 VB.RIPP		
8	08981484	1	SEAL. RING 52 X 90X 8		
9	34266899	1	RETAINING RING 90X3	FEDST	DIN 472
10	36192999	1	CYL.RO.BRG.RNU 308 ECP	W LZ-ST	DIN- 5412
11	36401599	1	BALL THR. BRG.51115	W LZ-ST	DIN 711
12	08980184	1	SEAL. RING 86 X100,5X6		
13	08911384	1	COVER PLATE SB,G160		
14	08603284	1	STATOR 230/400V 50AB		
14	08603384	1	STATOR KBH160B 2/12AB		
15	31350299	1	EYE-BOLT M 12	C 15	DIN 580
16	02963184	1	SPRING RING 52,0X1,6		
17	08980884	1	THR. RINGS KB 160 SET		
19	08982284	1	DISH. WASH.PACK KB 160		
20	08977684	1	SPR. 9,5 X60 X130 YEBL		
20	08977784	1	SPR. 7 X60 X144 YEGN		
21	35486199	1	KEY B 12X8X43		
22	08932784	1	ROTOR KBA160B 4 GEAR.		
22	08933684	1	ROTOR KBH160B12 GEAR.		
24	31925999	4	CHEESE HEAD SCREW	10.9	DIN 912
25	06988984	1	RAT.PLATE KBH BLANK		
26	35041399	2	GROOVED PIN A 2,6X6	ST A2F	ISO- 8747
27	08960684	1	BRAKE END CAP, KB 160		
28	08981484	2	SEAL. RING 52 X 90X 8		
29	36192999	1	CYL.RO.BRG.RNU 308 ECP	W LZ-ST	DIN- 5412
30	34266899	2	RETAINING RING 90X3	FEDST	DIN 472
31	08963084	1	SUPPORT. RING KB 160		
33	08979184	1	CON. BR. DISC LIGHT 532		
34	08974684	1	CONICAL BR.RING 9V SLOT		
35	08971484	1	ADJUST. NUT KB 160		
36	00505998	4	LOCK WASHER S10		
37	34254099	1	RETAINING RING 40X1,75	FEDST IL	DIN 471
38	31925899	4	HEX.SOCK.SCREW M 10X35	10.9	DIN 912
39	08970184	1	BRAKE CAP CHROM.		
39	08970384	1	BRAKE CAP CHROM.		
41	60104944	1	INSPECTION EYE		
42	60105044	1	INSPECTION WINDOW		
44	31926299	4	HEX. SOCKET SCREW	10.9	DIN 912
45	08991184	1	LOUVER KB 160 METAL		
46	00465698	4	LOCK WASHER 8		
47	31819199	4	CH.HD.SCR M 8X16	4.8 A2F	DIN 84
48	08480284	1	KABEL ENTRY SLEEVE		
49	08497584	1	TER.BOX BASE KB 140-160		
50	00465698	4	LOCK WASHER 8		
51	31934599	4	HEX.SOCK.SCR M 8 X 45	10.9	DIN 912
52	34065399	1	WASHER 6,4	140HV A2F	DIN 125
53	00465598	1	LOCK WASHER S 6		
54	32905899	1	CHEESE HD. SCREW M 6X12	4.8 A2F	DIN 84
55	00724098	4	THREADED PLUG PG29 D		
57	08492284	1	TERM. PLATE KB140/160		
59	08498584	1	TERMINAL BOX KB140-160		
60	08497484	1	TERMINAL BOX COVER, CPL		
62	10015384	3	FEELER GAUGE SET		
63	00465598	2	LOCK WASHER S 6		
64	32530599	2	SELF-TAP.SCR. BM 6X20	ST A2F	DIN 7513
65	89506144	1	HOSE CORRUG. FFM YDNW17		
66	36053846	1	PIPE SOCKET PG16/CR.SP.		
67	89501744	1	ADAPTOR UNION PG29-16 K		
68	36054846	1	PIPE SOCKET PG29/NW37		
69	60045944	6	PLUG 10,5X9,5		

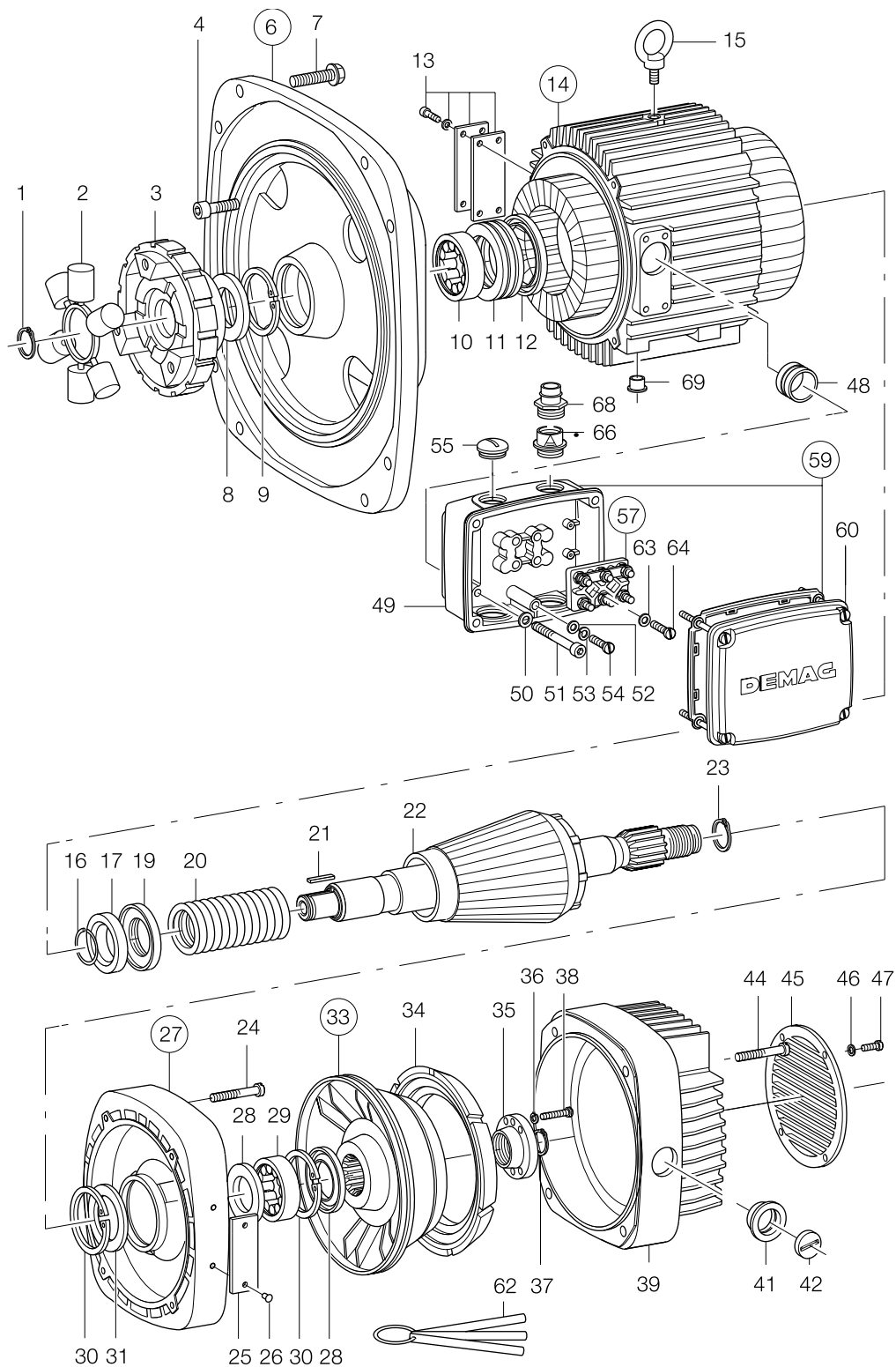
22231102.tbl

- 1) When ordering a rotor or stator a set of thrust rings (item 17) must be ordered additionally for adjusting the air gap (0,45 mm with feeler gauge set item 62).
- 2) For service in arduous conditions, galvanized brake surface.
- 3) Required air gap between stator bore and rotor 0,45 mm.

Main/creep hoist motor KBH 180 B2/12-F6

Motor KBH 180 B2/12 400 V, c/w items 1, 4, 6, 13, 14, 16, 17, 19 - 27, 33, 35 - 47, 59, 69)

Part No.
090 018 84



Main/creep hoist motor KBH 180 B2/12-F6

Item no.	Part no.	Quantity	Designation	Material	Standard
1	34254899	1	RETAINING RING 48X1,75	FEDST	DIN 471
2	71842144	1	ROLL.SPIDER COUPL. H3		
3	71845844	1	COUPLING HALF H 3ND-48		
4	31927499	4	HEX.SOCK.SCREW M12X40	10.9	DIN 912
6	09468484	1	END CAP, CPL. DH1000		
7	30024344	8	LOCK.SCR M12X75 VB.RIPP		
8	00519798	1	SEAL. RING 58,5X100X 8		
9	34267099	1	RETAINING RING 100X3	FEDST	DIN 472
10	36545999	1	CYL.RO.BRG.RNU 309 ECP	WLZ-ST	DIN- 5412
11	36401799	1	BALL THR. BRG. 51117	WLZ-ST	DIN 711
12	08980184	1	SEAL. RING 86 X100,5X6		
13	09911984	1	COVER PLATE CPL		
14	09102784	1	STATOR KBH 400V 50AB		
15	31350399	1	EYE BOLT M16	C 15	DIN 580
16	37415844	1	SPRING RING 58,5X1,6		
17	09480884	1	THR. RINGS KB 180 SET		
19	09482284	1	DISH. WASH. PACK KB 180		
20	09477784	1	SPR. 7,5 X67 X197 YEGN	739 N	
21	35486299	1	KEY B 14X9X43		
22	09432484	1	ROTOR KBH180B122GEAR.		
23	34255499	1	RETAINING RING 58X2	FEDST	DIN 471
24	31927499	4	HEX.SOCK.SCREW M12X40	10.9	DIN 912
25	06988984	1	RAT.PLATE KBH BLANK		
26	35041399	2	GROOVED PIN A 2,6X6	ST A2F	ISO- 8747
27	09460684	1	BRAKE END CAP, KB 180		
28	00519798	2	SEAL. RING 58,5X100X 8		
29	36545999	1	CYL.RO.BRG.RNU 309 ECP	WLZ-ST	DIN- 5412
30	34267099	2	RETAINING RING 100X3	FEDST	DIN 472
31	09463084	1	SUPPORT. RING KB 180		
33	09475584	1	CON.BRAKE DISC DH 532-A		
34	09474684	1	CONICAL BR.RING 9V SLOT		
35	09471484	1	ADJUST. NUT KB 180		
36	00505998	4	LOCK WASHER S10		
37	34254599	1	CIRCLIP 45X1,75	FEDST IL	DIN 471
38	31925899	4	HEX.SOCK.SCREW M 10X35	10.9	DIN 912
39	09470184	1	BRAKE CAP KB 180 ZN		
39	09470384	1	BRAKE CAP KB 180 ZN		
41	60104944	1	INSPECTION EYE		
42	60105044	1	INSPECTION WINDOW		
44	31927899	4	CHEESE HD.SCREW M12 X80	10.9	DIN 912
45	09491184	1	LOUVER KB 180 METAL		
46	00465698	4	LOCK WASHER 8		
47	31819199	4	CH.HD.SCR M 8X16	4.8 A2F	DIN 84
48	09480284	1	KABEL ENTRY SLEEVE		
49	09494984	1	TER.BOX BASE KB 180-225		
50	00505998	4	LOCK WASHER S10		
51	31926099	4	HEX.SOCK.SCR M10 X 50	10.9	DIN 912
52	34065499	1	WASHER A 8,4X16X1,6	140HV A2F	DIN 125
53	00465698	1	LOCK WASHER 8		
54	30763999	1	HEX.SCREW M8 X 16	8.8 A2F	ISO 4017
55	00724198	4	THREADED PLUG PG36 D		
57	09492284	1	TERM. PLATE KB180-225		
59	09498584	1	TERMINAL BOX KB180-225		
60	09496484	1	TERMINAL BOX COVER, CPL		
62	10015384	3	FEELER GAUGE SET		
63	00465698	2	LOCK WASHER 8		
64	32472599	2	SELF-TAP.SCREW EM 8X 25	ST A2F	DIN 7500
66	60081699	1	ADAPTOR UNION PG36 29 M		DIN 46320
68	36054846	1	PIPE SOCKET PG29/NW37		
69	60045944	6	PLUG 10,5X9,5		

22231103.tbl

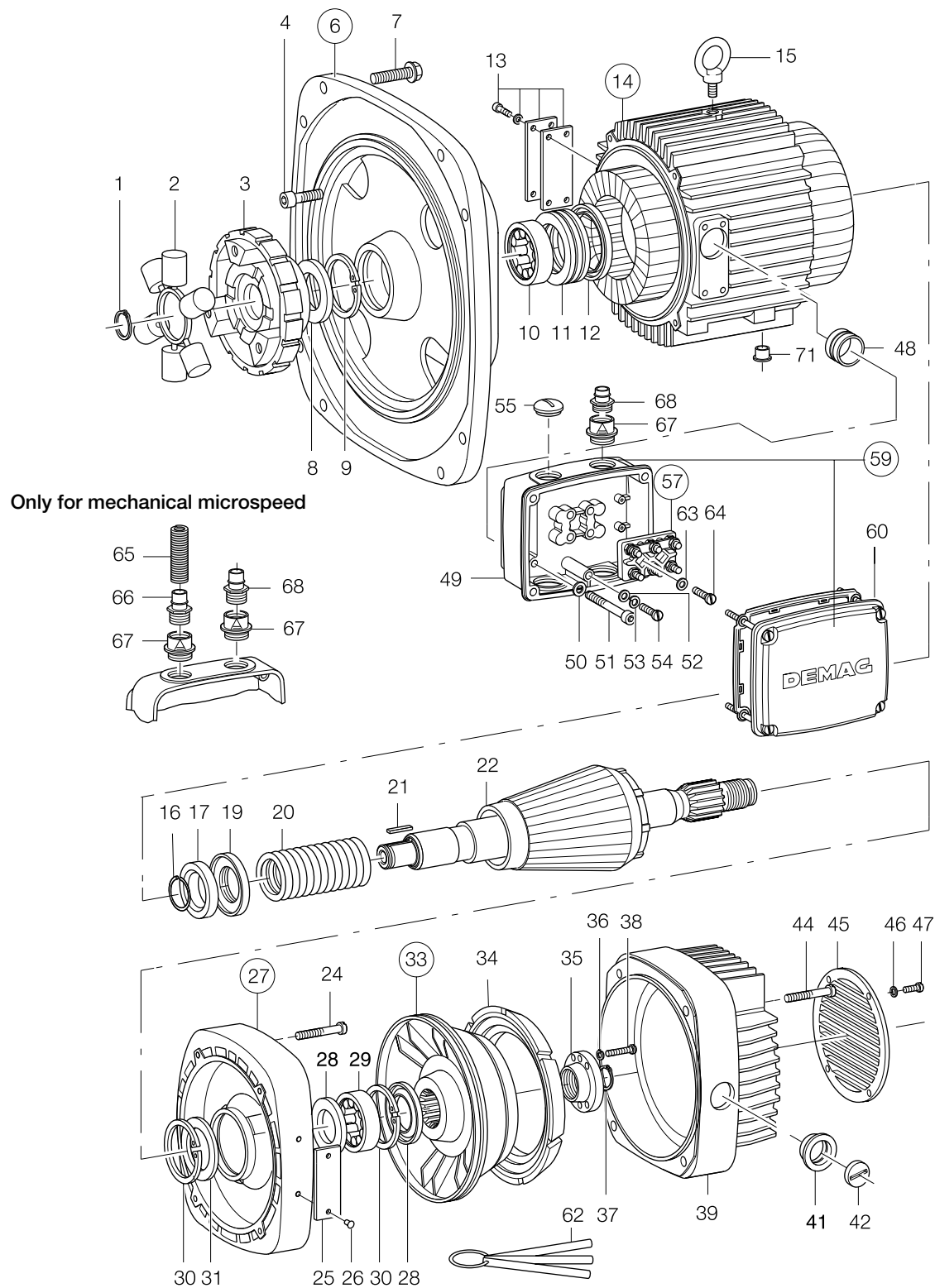
- 1) When ordering a rotor or stator a set of thrust rings (item 17) must be ordered additionally for adjusting the air gap (0,50 mm with feeler gauge set item 62).
- 2) For service in arduous conditions, galvanized brake surface.
- 3) Required air gap between stator bore and rotor 0,50 mm.

Main hoist motor KBH 200 B6

Main/creep hoist motor KBH 200 B2/12-F6

Motor KBH 200 B6, 400 V, c/w items 1, 4, 6, 13, 14, 17, 18, 20 - 27, 33, 35 - 47, 59, 71
 Motor KBH 200 B2/12-F6, 400 V, c/w items 1, 4, 6, 13, 14, 17, 18, 20 - 27, 33, 35 - 47, 59, 71

Part No.
 095 021 84
 095 022 84



Main hoist motor KBH 200 B6

Main/creep hoist motor KBH 200 B2/12-F6

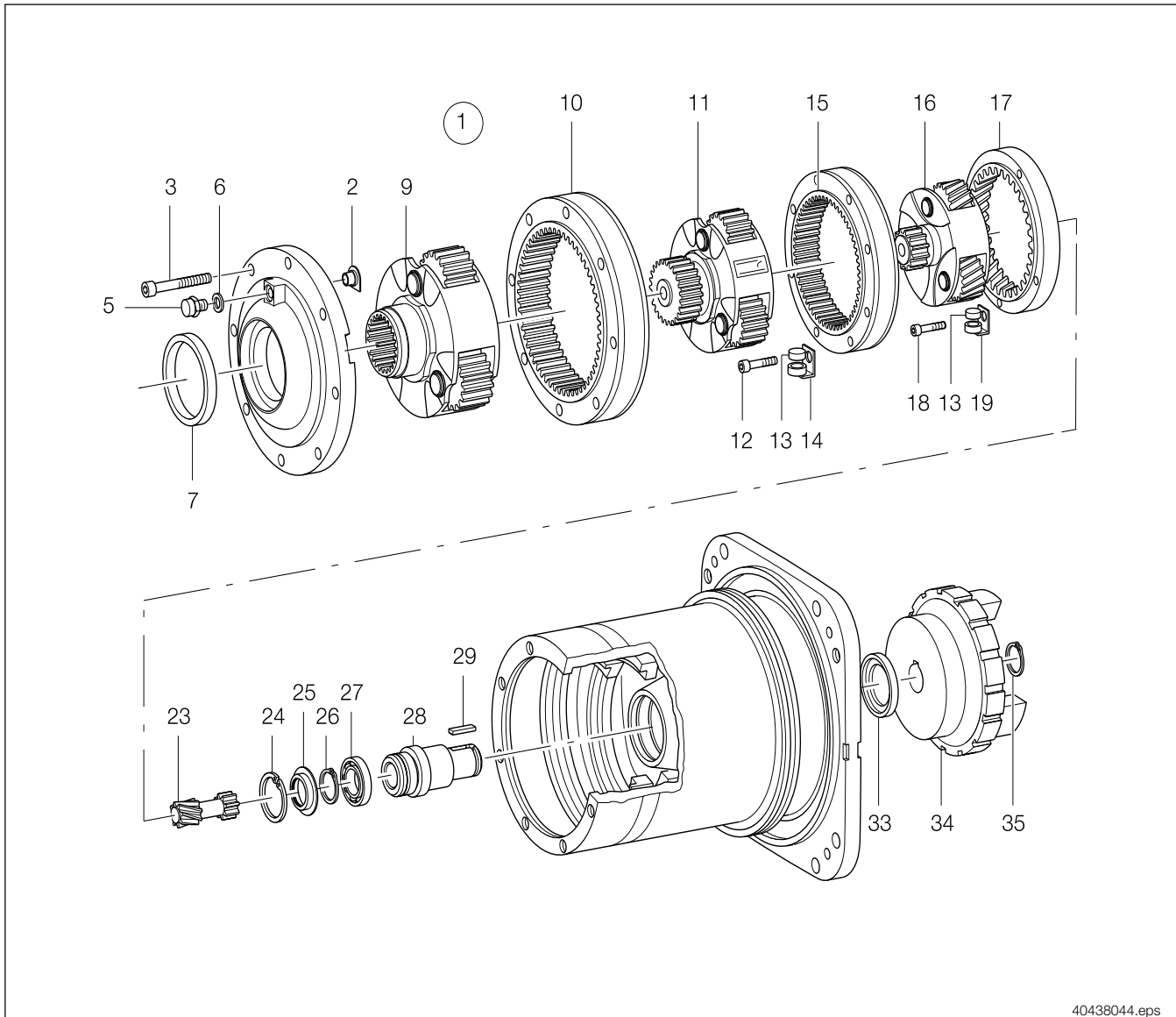
Item no.	Part no.	Quantity	Designation	Material	Standard
1	34255299	1	RETAINING RING 55X2	FEDST IL	DIN 471
2	71842144	1	ROLL.SPIDER COUPL. H3		
3	71846344	1	COUPLING HALF H 3ND-55L		
4	31928899	4	SIDE PLATE-STEEL	10.9	DIN 912
6	09963384	1	END CAP, DH1000		
7	30024344	8	LOCK.SCR M12X75 VB.RIPP		
8	00519898	1	SEAL. RING 65 X110X10		
9	34267299	1	RETAINING RING 110X4	FEDST	DIN 472
10	36546199	1	CYL.RO.BRG.RNU 310 ECP	W LZ-ST	DIN- 5412
11	36401899	1	BALL THR. BRG. 51118	W LZ-ST	DIN 711
12	09986984	1	SEAL. RING 106 X120,5X6		
13	09911984	1	COVER PLATE CPL		
14	09605884	1	STATOR KBH 400V 50AB		
14	09605784	1	STATOR KBH 400V 50AB		
15	31350499	1	EYE BOLT M20	C 15	DIN 580
16	00541498	1	SPRING RING 65X1,6		
17	09980884	1	THR. RINGS KB200,225SET		
19	09982284	1	DISH. WASH. PACK KB 200		
20	09977784	1	SPR.10 X74 X154 YEGN		
20	09978384	1	SPR.12 X86 X175 SIWH		
21	35486299	1	KEY B 14X9X43		
22	09932884	1	ROTOR KBA200B 6 GEAR.		
22	09932484	1	ROTOR KBH200B212GEAR.		
24	31926999	4	HEX.SOCK.SCR M12 X 45	10.9	DIN 912
25	06988984	1	RAT.PLATE KBH BLANK		
26	35041399	2	GROOVED PIN A 2,6X6	ST A2F	ISO- 8747
27	09960684	1	BRAKE END CAP, KB 200		
28	00519898	2	SEAL. RING 65 X110X10		
29	36546199	1	CYL.RO.BRG.RNU 310 ECP	W LZ-ST	DIN- 5412
30	34267299	2	RETAINING RING 110X4	FEDST	DIN 472
31	09963084	1	SUPPORT. RING KB 225		
33	09970584	1	CON. BR. DISC LIGHT 532		
33	09972584	1	CON.BRAKE DISC DH 532-A		
34	09972884	1	CONICAL BR.RING 9V SLOT		
35	09971484	1	ADJUST. NUT KB 200,225		
36	00506098	4	LOCK WASHER 12		
37	34255199	1	RETAINING RING 52X2	FEDST	DIN 471
38	31927499	4	HEX.SOCK.SCREW M12X40	10.9	DIN 912
39	09970184	1	BRAKE CAP KB 200 ZN		
39	09970384	1	BRAKE CAP KB 200 ZN		
41	60104944	1	INSPECTION EYE		
42	60105044	1	INSPECTION WINDOW		
44	31927899	4	CHEESE HD.SCREW M12 X80	10.9	DIN 912
45	09991184	1	LOUVER KB 200-225 METAL		
46	00465698	4	LOCK WASHER 8		
47	31924199	4	CHEESE HEAD SCR. M 8X20	10.9	DIN 912
48	09480284	1	KABEL ENTRY SLEEVE		
49	09494984	1	TER.BOX BASE KB 180-225		
50	00505998	4	LOCK WASHER S10		
51	31926099	4	HEX.SOCK.SCR M10 X 50	10.9	DIN 912
52	34065499	1	WASHER A 8,4X16X1,6	140HV A2F	DIN 125
53	00465698	1	LOCK WASHER 8		
54	30763999	1	HEX.SCREW M8 X 16	8.8 A2F	ISO 4017
55	00724198	4	THREADED PLUG PG36 D		
57	09492284	1	TERM. PLATE KB180-225		
59	09498584	1	TERMINAL BOX KB180-225		
60	09496484	1	TERMINAL BOX COVER, CPL		
62	10015384	3	FEELER GAUGE SET		
63	00465698	2	LOCK WASHER 8		
64	32472599	2	SELF-TAP.SCREW EM 8X 25	ST A2F	DIN 7500
65	89506044	1	HOSE CORRUG. FFM YDNW23		
66	36053646	1	PIPE SOCKET PG29/DH 500		
67	60081699	2	ADAPTOR UNION PG36 29 M		
67	60081699	1	ADAPTOR UNION PG36 29 M		
68	36054846	1	PIPE SOCKET PG29/NW37		
71	60046044	6	PLUG 16,5X14,3X9,5 A		

22231104.tbl

- 1) When ordering a rotor or stator a set of thrust rings (item 17) must be ordered additionally for adjusting the air gap (0,50 mm with feeler gauge set item 62).
- 2) For service in arduous conditions, galvanized brake surface.
- 3) Required air gap between stator bore and rotor 0,50 mm.

3-stage, planetary gearbox

Planetary gear combination with relevant motor for two hoist speeds



40438044.eps

Item no.	Part no.	Quantity	Designation	Material	Standard
1			GEARBOX FOR MOTOR KBH 160B2/12		
1	82452144	1	GEARBOX DH1000 KBH3-ST		C/W ITEMS 2 - 29, 33 - 35 1) DH 1050 V1, l = 260,6
1	82452244	1	GEARBOX DH1000 KBH3-ST		DH 1040, 1032 V1, l = 226,8
1	82452344	1	GEARBOX DH1000 KBH3-ST		DH 1025 V1, l = 190,6
1			GEARBOX FOR MOTOR KBH 180B2/12		
1	82452244	1	GEARBOX DH1000 KBH3-ST		C/W ITEMS 2 - 29, 33 - 35 1) DH 1063 V2, l = 226,8
1	82452344	1	GEARBOX DH1000 KBH3-ST		DH 1050 V2, l = 190,6
1	82452444	1	GEARBOX DH1000 KBH3-ST		DH 1040, 1032 V2, l = 141,2
1	82452544	1	GEARBOX DH1000 KBH3-ST		DH 1025 V2, l = 112,3
1			GEARBOX FOR MOTOR KBH 200B2/12		
1	82453644	1	GEARBOX DH1000 KBH3-ST		C/W ITEMS 2 - 29, 33 - 35 1) DH 1063 V3, l = 165,9
1	82453744	1	GEARBOX DH1000 KBH3-ST		DH 1050 V3, l = 133,6
1	82453844	1	GEARBOX DH1000 KBH3-ST		DH 1040, 1032 V3, l = 103,2
1	82453944	1	GEARBOX DH1000 KBH3-ST		DH 1025 V3, l = 85,4
2	82314844	1	PLUG DH GEARBOX		
3	31923699	8	HEX.SOCK SCREW M6X45	10.9	DIN 912
5	34229144	8	AIR VENT VALVE AM10X1		
6	33987499	1	SEALING RING A 10X16X1	CU	DIN 7603
7	36750299	1	SEAL. RING A 110X130X12	FKM	DIN 3760

22231105.tbl

1) A complete gearbox must be ordered with a new drum bearing set.
Quantity 6 litre, part no. 472 930 44 (2,5 kg).

3-stage, planetary gearbox

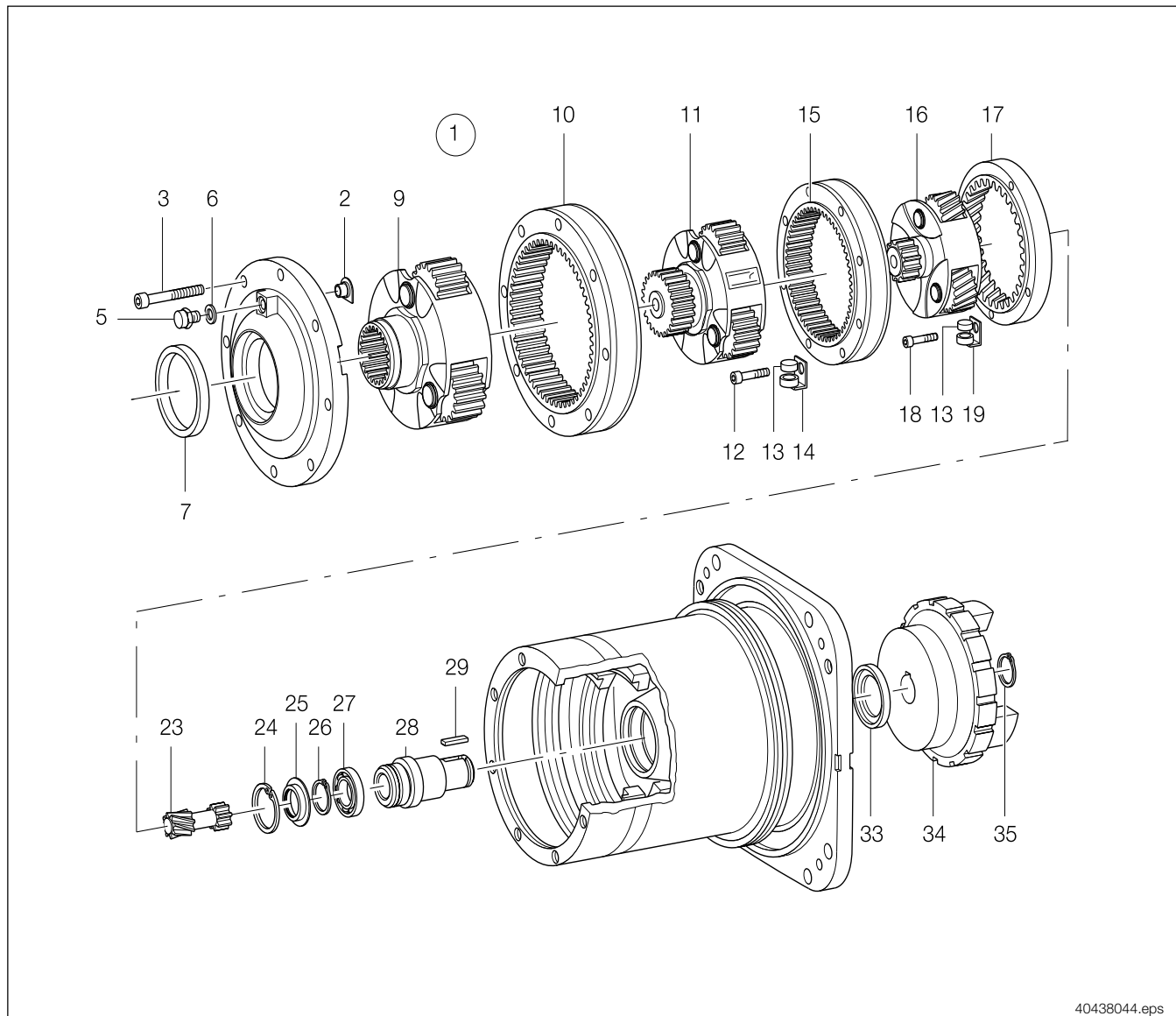
Planetary gear combination with relevant motor for two hoist speeds

Item no.	Part no.	Quantity	Designation	Material	Standard
9			OUTPUT STAGE KBH 160B2/12		
9	81404046	1	PLANET WH.CARR. 3.1 A	DH 1050 V1, I = 260,6	
9	81404046	1	PLANET WH.CARR. 3.1 A	DH 1040, 1032 V1, I = 226,8	
9	81404046	1	PLANET WH.CARR. 3.1 A	DH 1025 V1, I = 190,6	
			OUTPUT STAGE KBH 180B2/12		
9	81404046	1	PLANET WH.CARR. 3.1 A	DH 1063 V2, I = 226,8	
9	81404046	1	PLANET WH.CARR. 3.1 A	DH 1050 V2, I = 190,6	
9	81404146	1	PLANET WH.CARR. 3.6 A	DH 1040, 1032 V2, I = 141,2	
9	81404246	1	PLANET WH.CARR. 3.5 A	DH 1025 V2, I = 112,3	
			OUTPUT STAGE KBH 200B2/12		
9	81404046	1	PLANET WH.CARR. 3.1 A	DH 1063 V3, I = 165,9	
9	81404246	1	PLANET WH.CARR. 3.5 A	DH 1050 V3, I = 133,6	
9	81404146	1	PLANET WH.CARR. 3.6 A	DH 1040, 1032 V3, I = 103,2	
9	81404046	1	PLANET WH.CARR. 3.1 A	DH 1025 V3, I = 85,4	
10	82049044	1	SPROCK.WH. 77M 3,5 B 40	2)	
11			INTERMEDIATE STAGE KBH 160B2/12		
11	81404346	1	PLANET WH.CARR. 4.2 V	DH 1050 V1, I = 260,6	
11	81404446	1	PLANET WH.CARR. 4.3 V	DH 1040, 1032 V1, I = 226,8	
11	81404346	1	PLANET WH.CARR. 4.2 V	DH 1025 V1, I = 190,6	
			INTERMEDIATE STAGE KBH 180B2/12		
11	81404446	1	PLANET WH.CARR. 4.3 V	DH 1063 V2, I = 226,8	
11	81404346	1	PLANET WH.CARR. 4.2 V	DH 1050 V2, I = 190,6	
11	81404546	1	PLANET WH.CARR. 4.2 E	DH 1040, 1032 V2, I = 141,2	
11	81404646	1	PLANET WH.CARR. 4.2 E	DH 1025 V2, I = 112,3	
			INTERMEDIATE STAGE KBH 200B2/12		
11	81404446	1	PLANET WH.CARR. 4.3 V	DH 1063 V3, I = 165,9	
11	81406046	1	PLANET WH.CARR. 4.3 E	DH 1050 V3, I = 133,6	
11	81404546	1	PLANET WH.CARR. 4.2 E	DH 1040, 1032 V3, I = 103,2	
11	81406246	1	PLANET WH.CARR. 4.6 V	DH 1025 V3, I = 85,4	
12	31925999	4	CHEESE HEAD SCREW	10.9	DIN 912
13	82313644	2	MAGNET DH GEARBOX		
14	82413544	1	MAGNET HOLDER DH1000		
15	82039044	1	SPROCK.WH. 74M 2,5 B 34		
16			INPUT STAGE KBH 160B2/12		
16	81403446	1	PLANET WH.CARR. 5.1 SV	DH 1050 V1, I = 260,6	
16	81405146	1	PLANET WH.CARR. 5.1 SE	DH 1040, 1032 V1, I = 226,8	
16	81405246	1	PLANET WH.CARR. 5.3SV	DH 1025 V1, I = 190,6	
			INPUT STAGE KBH 180B2/12		
16	81405146	1	PLANET WH.CARR. 5.1 SE	DH 1063 V2, I = 226,8	
16	81405246	1	PLANET WH.CARR. 5.3SV	DH 1050 V2, I = 190,6	
16	81403446	1	PLANET WH.CARR. 5.1 SV	DH 1040, 1032 V2, I = 141,2	
16	81405246	1	PLANET WH.CARR. 5.3SV	DH 1025 V2, I = 112,3	
			INPUT STAGE KBH 200B2/12		
16	81405346	1	PLANET WH.CARR. 5.3 SE	DH 1063 V3, I = 165,9	
16	81405146	1	PLANET WH.CARR. 5.1 SE	DH 1050 V3, I = 133,6	
16	81405246	1	PLANET WH.CARR. 5.3SV	DH 1040, 1032 V3, I = 103,2	
16	81406846	1	PLANET WH.CARR. 5.7 E	DH 1025 V3, I = 85,4	
17	82024044	1	SPROCK.WH. 74M 2 B 28		
18	31924499	4	HEX.SOCK.SCR M 8 X 35	10.9	DIN 912
23			INPUT STAGE KBH 160B2/12		
23	82022144	1	SUN GEAR 13M 2 B 30	DH 1050 V1, I = 260,6	
23	82022144	1	SUN GEAR 13M 2 B 30	DH 1040, 1032 V1, I = 226,8	
23	82022244	1	SUN GEAR 19M 2 B 32	DH 1025 V1, I = 190,6	
			INPUT STAGE KBH 180B2/12		
23	82022144	1	SUN GEAR 13M 2 B 30	DH 1063 V2, I = 226,8	
23	82022244	1	SUN GEAR 19M 2 B 32	DH 1050 V2, I = 190,6	
23	82022144	1	SUN GEAR 13M 2 B 30	DH 1040, 1032 V2, I = 141,2	
23	82022244	1	SUN GEAR 19M 2 B 32	DH 1025 V2, I = 112,3	
			INPUT STAGE KBH 200B2/12		
23	82022244	1	SUN GEAR 19M 2 B 32	DH 1063 V3, I = 165,9	
23	82022144	1	SUN GEAR 13M 2 B 30	DH 1050 V3, I = 133,6	
23	82022244	1	SUN GEAR 19M 2 B 32	DH 1040, 1032 V3, I = 103,2	
23	82022044	1	SUN GEAR	DH 1025 V3, I = 85,4	
24	34266899	1	RETAINING RING 90X3	FEDST	DIN 472
25	82412944	1	BAFFLE PLATE DH1000		
26	34255099	1	RETAINING RING 50X2	FEDST	DIN 471
27	36056099	1	GRV.BALL BRG6210	WLZ-ST IL	DIN 625
28	82413244	1	DRV. SHAFT DH1000		
29	35485199	1	KEY AB 16X10X40	C 45 K	DIN 6885
33	34231044	1	OIL SEAL A 60X 80X 8	FKM	DIN 3760
34	71845944	1	COUPLING HALF H 3ND-55		
35	34255299	1	RETAINING RING 55X2	FEDST IL	DIN 471

22231105.tbl

3-stage, planetary gearbox

Planetary gear combination with relevant motor for one hoist speed



40438044.eps

Item no.	Part no.	Quantity	Designation	Material	Standard
1			GEARBOX FOR MOTOR KBH 140B4		
1	82452344	1	GEARBOX DH1000 KBH3-ST	C/W ITEMS 2 - 29, 33 - 35 1)	
1	82452444	1	GEARBOX DH1000 KBH3-ST	DH 1063 V1, l = 190,6	
1	82452544	1	GEARBOX DH1000 KBH3-ST	DH 1050 V1, l = 141,2	
1	82452644	1	GEARBOX DH1000 KBH3-ST	DH 1040, 1032 V1, l = 112,3	
1	82452644	1	GEARBOX DH1000 KBH3-ST	DH 1025 V1, l = 89,8	
			GEARBOX FOR MOTOR KBH 160B4		
1	82452544	1	GEARBOX DH1000 KBH3-ST	C/W ITEMS 2 - 29, 33 - 35 1)	
1	82452644	1	GEARBOX DH1000 KBH3-ST	DH 1063 V2, l = 112,3	
1	82452744	1	GEARBOX DH1000 KBH3-ST	DH 1050 V2, l = 89,8	
1	82452744	1	GEARBOX DH1000 KBH3-ST	DH 1040, 1032 V2, l = 72,7	
1	82452844	1	GEARBOX DH1000 KBH3-ST	DH 1025 V2, l = 59,6	
			GEARBOX FOR MOTOR KBH 200B6		
1	82452944	1	GEARBOX DH1000 KBH3-ST	C/W ITEMS 2 - 29, 33 - 35 1)	
2	82314844	1	PLUG DH GEARBOX	DH 1063 V3, l = 50,3	
3	31923699	8	HEX.SOCK SCREW M6X45	10.9	DIN 912
5	34229144	8	AIR VENT VALVE AM10X1		
6	33987499	1	SEALING RING A 10X16X1	CU	DIN 7603
7	36750299	1	SEAL. RING A 110X130X12	FKM	DIN 3760
					22231106.tbl

1) A complete gearbox must be ordered with a new drum bearing set.
Quantity 6 litre, part no. 472 930 44 (2,5 kg).

3-stage, planetary gearbox

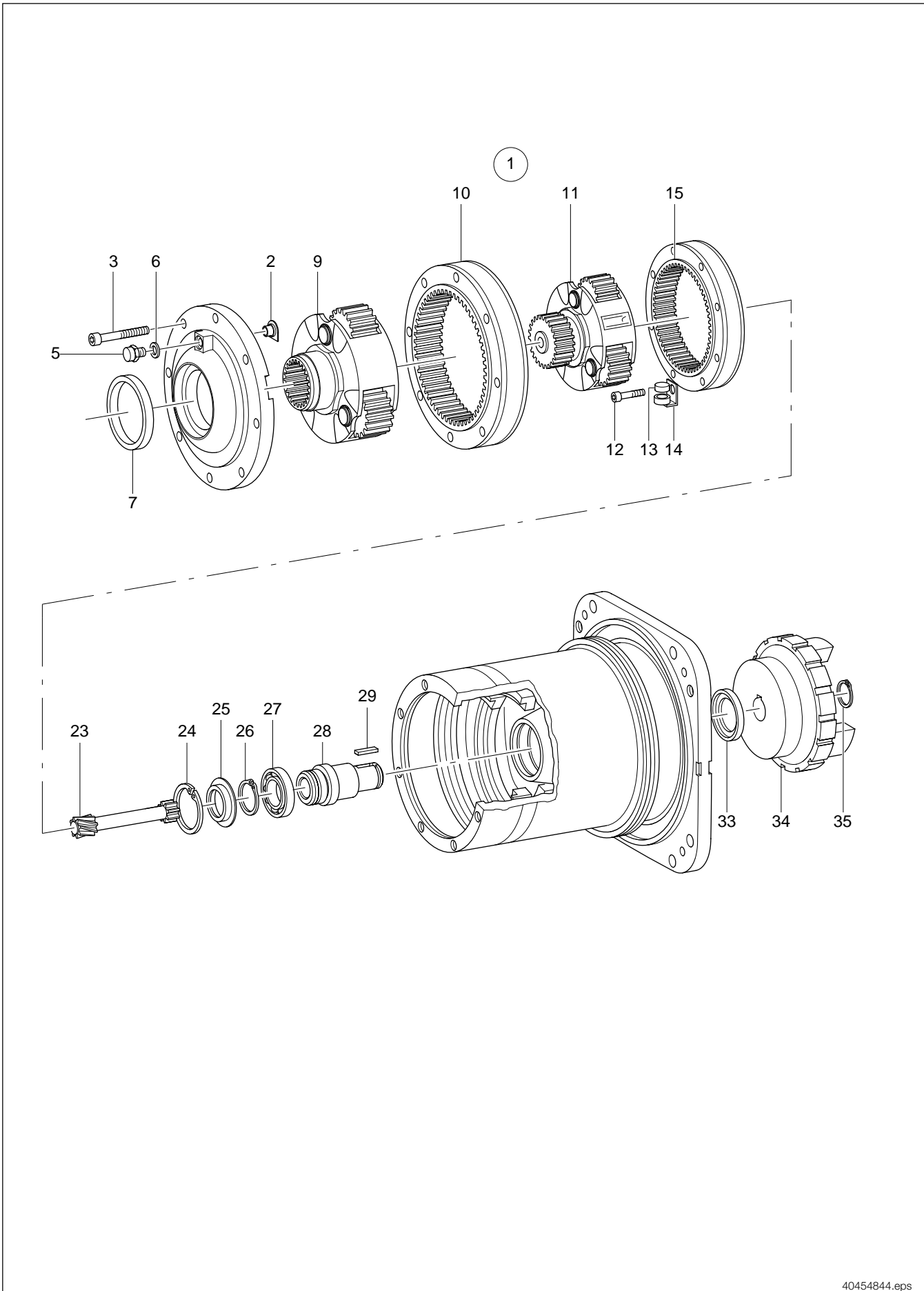
Planetary gear combination with relevant motor for one hoist speed

Item no.	Part no.	Quantity	Designation	Material	Standard
9			OUTPUT STAGE KBH 140B4		
9	81404046	1	PLANET WH.CARR. 3.1 A	DH 1063 V1, l = 190,6	
9	81404146	1	PLANET WH.CARR. 3.6 A	DH 1050 V1, l = 141,2	
9	81404246	1	PLANET WH.CARR. 3.5 A	DH 1040, 1032 V1, l = 112,3	
9	81404146	1	PLANET WH.CARR. 3.6 A	DH 1025 V1, l = 89,8	
			OUTPUT STAGE KBH 160B4		
9	81404246	1	PLANET WH.CARR. 3.5 A	DH 1063 V2, l = 112,3	
9	81404146	1	PLANET WH.CARR. 3.6 A	DH 1050 V2, l = 89,8	
9	81404246	1	PLANET WH.CARR. 3.5 A	DH 1040, 1032 V2, l = 72,7	
9	81404146	1	PLANET WH.CARR. 3.6 A	DH 1025 V2, l = 59,6	
			OUTPUT STAGE KBH 200B6		
9	81404246	1	PLANET WH.CARR. 3.5 A	DH 1063 V3, l = 50,3	
10	82049044	1	SPROCK.WH. 77M 3,5 B 40	2)	
11			INTERMEDIATE KBH 140B4		
11	81404346	1	PLANET WH.CARR. 4.2 V	DH 1063 V1, l = 190,6	
11	81404546	1	PLANET WH.CARR. 4.2 E	DH 1050 V1, l = 141,2	
11	81404646	1	PLANET WH.CARR. 4.2 E	DH 1040, 1032 V1, l = 112,3	
11	81404746	1	PLANET WH.CARR. 4.3 E	DH 1025 V1, l = 89,8	
			INTERMEDIATE KBH 160B4		
11	81404646	1	PLANET WH.CARR. 4.2 E	DH 1063 V2, l = 112,3	
11	81404746	1	PLANET WH.CARR. 4.3 E	DH 1050 V2, l = 89,8	
11	81404846	1	PLANET WH.CARR. 4.6 E	DH 1040, 1032 V2, l = 72,7	
11	81404946	1	PLANET WH.CARR. 4.6 E	DH 1025 V2, l = 59,6	
			INTERMEDIATE KBH 200B6		
11	81404846	1	PLANET WH.CARR. 4.6 E	DH 1063 V3, l = 50,3	
12	31925999	4	CHEESE HEAD SCREW	10.9	DIN 912
13	82313644	2	MAGNET DH GEARBOX		
14	82413544	1	MAGNET HOLDER DH1000		
15	82039044	1	SPROCK.WH. 74M 2,5 B 34		
16			INPUT STAGE KBH 140B4		
16	81405246	1	PLANET WH.CARR. 5.3SV	DH 1063 V1, l = 190,6	
16	81403446	1	PLANET WH.CARR. 5.1 SV	DH 1050 V1, l = 141,2	
16	81405246	1	PLANET WH.CARR. 5.3SV	DH 1040, 1032 V1, l = 112,3	
16	81405346	1	PLANET WH.CARR. 5.3 SE	DH 1025 V1, l = 89,8	
			INPUT STAGE KBH 160B4		
16	81405246	1	PLANET WH.CARR. 5.3SV	DH 1063 V2, l = 112,3	
16	81405346	1	PLANET WH.CARR. 5.3 SE	DH 1050 V2, l = 89,8	
16	81405446	1	PLANET WH.CARR. 5.3 SE	DH 1040, 1032 V2, l = 72,7	
16	81405546	1	PLANET WH.CARR. 5.4 E	DH 1025 V2, l = 59,6	
			INPUT STAGE KBH 200B6		
16	81406846	1	PLANET WH.CARR. 5.7 E	DH 1063 V3, l = 50,3	
17	82024044	1	SPROCK.WH. 74M 2 B 28		
18	31924499	4	HEX.SOCK.SCR M 8 X 35	10.9	DIN 912
23			INPUT STAGE KBH 140B4		
23	82022244	1	SUN GEAR 19M 2 B 32	DH 1063 V1, l = 190,6	
23	82022144	1	SUN GEAR 13M 2 B 30	DH 1050 V1, l = 141,2	
23	82022244	1	SUN GEAR 19M 2 B 32	DH 1040, 1032 V1, l = 112,3	
23	82022244	1	SUN GEAR 19M 2 B 32	DH 1025 V1, l = 89,8	
			INPUT STAGE KBH 160B4		
23	82022244	1	SUN GEAR 19M 2 B 32	DH 1063 V2, l = 112,3	
23	82022244	1	SUN GEAR 19M 2 B 32	DH 1050 V2, l = 89,8	
23	82022244	1	SUN GEAR 19M 2 B 32	DH 1040, 1032 V2, l = 72,7	
23	82022344	1	SUN GEAR 22M 2 B 32	DH 1025 V2, l = 59,6	
			INPUT STAGE KBH 200B6		
23	82022044	1	SUN GEAR	DH 1063 V1, l = 50,3	
24	34266899	1	RETAINING RING 90X3	FEDST	DIN 472
25	82412944	1	BAFFLE PLATE DH1000		
26	34255099	1	RETAINING RING 50X2	FEDST	DIN 471
27	36056099	1	GRV.BALL BRG6210	W LZ-ST !L	DIN 625
28	82413244	1	DRV. SHAFT DH1000		
29	35485199	1	KEY AB 16X10X40	C 45 K	DIN 6885
33	34231044	1	OIL SEAL A 60X 80X 8	FKM	DIN 3760
34	71845944	1	COUPLING HALF H 3ND-55		
35	34255299	1	RETAINING RING 55X2	FEDST !L	DIN 471 22231106.tbl

2) Sealing surfaces between gearbox cover, internally toothed wheel rim and gearbox housing to be sealed with Loctite 573. Part no. 033 068 44.

2-stage, planetary gearbox

Planetary gear combination with relevant motor for one hoist speed



2-stage, planetary gearbox

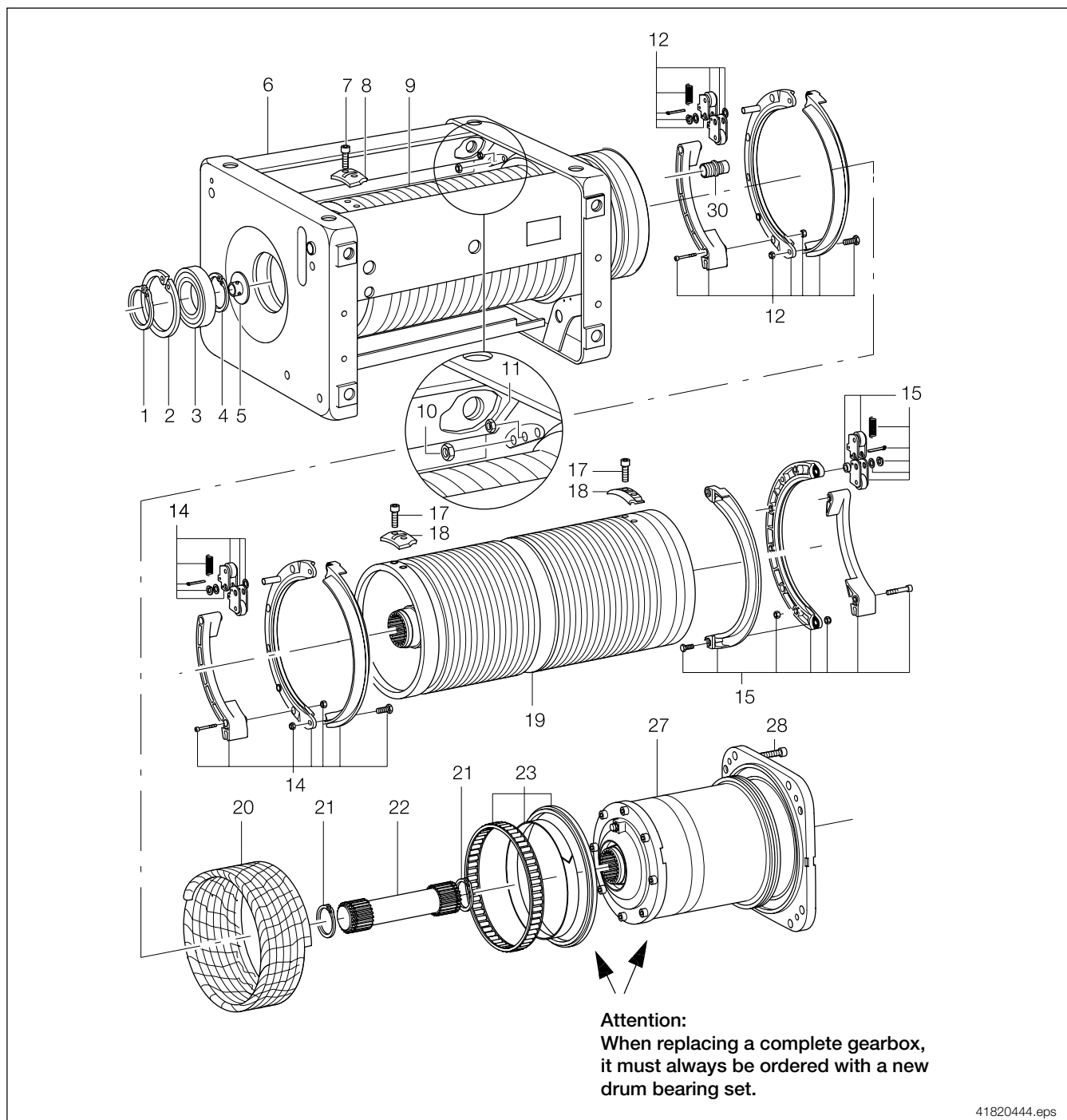
Planetary gear combination with relevant motor for one hoist speed

Item no.	Part no.	Quantity	Designation	Material	Standard
			GEARBOX FOR MOTOR KBH 200B6		
				C/W ITEMS 2 - 29, 33 - 35 1)	
1	82453144	1	GEARBOX DH1000 KBH2-ST		
1	82453244	1	GEARBOX DH1000 KBH2-ST		DH 1050 V3, I = 37,6
1	82453344	1	GEARBOX DH1000 KBH2-ST		DH 1040, 1032 V3, I = 32,8
2	82314844	1	PLUG DH GEARBOX		DH 1025 V3, I = 24,5
3	31927899	8	CHEESE HD.SCREW M12 X80	10.9	DIN 912
5	34229144	8	AIR VENT VALVE AM10X1		
6	33987499	1	SEALING RING A 10X16X1	CU	DIN 7603
7	36750299	1	SEAL. RING A 110X130X12	FKM	DIN 3760
9			OUTPUT STAGE KBH 200B6		
9	81404046	1	PLANET WH.CARR. 3.1 A		DH 1050 V3, I = 37,6
9	81404046	1	PLANET WH.CARR. 3.1 A		DH 1040, 1032 V3, I = 32,8
9	81404046	1	PLANET WH.CARR. 3.1 A		DH 1025 V3, I = 24,5
10	82049044	1	SPROCK.WH. 77M 3,5 B 40		2)
11			INPUT STAGE KBH 200B6		
11	81406946	1	PLANET WH.CARR. 4.2 V		DH 1050 V3, I = 37,6
11	81407046	1	PLANET WH.CARR. 4.3 V		DH 1040, 1032 V3, I = 32,8
11	81407146	1	PLANET WH.CARR. 4.6 V		DH 1025 V3, I = 24,5
12	31925999	4	CHEESE HEAD SCREW	10.9	DIN 912
13	82313644	2	MAGNET DH GEARBOX		
14	82413544	1	MAGNET HOLDER DH1000		
15	82034044	1	SPROCK.WH. 71M 2,5 B 28		
23			INPUT STAGE KBH 200B6		
23	82032144	1	SUN GEAR 16M 2,5 B 42		DH 1050 V3, I = 37,6
23	82032244	1	SUN GEAR 19M 2,5 B 42		DH 1040, 1032 V3, I = 32,8
23	82032344	1	SUN GEAR 28M 2,5 B 42		DH 1025 V3, I = 24,5
24	34266899	1	RETAINING RING 90X3	FEDST	DIN 472
25	82412944	1	BAFFLE PLATE DH1000		
26	34255099	1	RETAINING RING 50X2	FEDST	DIN 471
27	36056099	1	GRV.BALL BRG6210	WLZ-ST !L	DIN 625
28	82413244	1	DRV. SHAFT DH1000		
29	35485199	1	KEY AB 16X10X40	C 45 K	DIN 6885
33	34231044	1	OIL SEAL A 60X 80X 8	FKM	DIN 3760
34	71845944	1	COUPLING HALF H 3ND-55		
35	34255299	1	RETAINING RING 55X2	FEDST !L	DIN 471 22231107.tbl

1) A complete gearbox must be ordered with a new drum bearing set.
Quantity 6 litre, part no. 472 930 44 (2,5 kg).

2) Sealing surfaces between gearbox cover, internally toothed wheel rim and gearbox housing to be sealed with Loctite 573. Part no. 033 068 44.

Frame, rope drum, rope guide, rope



41820444.eps

Item no.	Part no.	Quantity	Designation	Material	Standard
1	34257499	1	CIRCLIP 120X4,0	FEDST	DIN 471
2	34268699	1	RETAINING RING 180X4	FEDST	DIN 472
3	36084499	1	GRV.BALL BRG6024 2Z	WLZ-ST	DIN 625
4	34266899	1	RETAINING RING 90X3	FEDST	DIN 472
5	87527344	1	COUPLING PIN DGS/DH1000		
6	82420144	1	FRAME DH 1000-H16		
6	82420344	1	FRAME DH1000-H24		
6	82420544	1	FRAME DH1000-H40		
6	82421044	1	FRAME-DH1000-H51		

22231108.tbl

Frame, rope drum, rope guide, rope

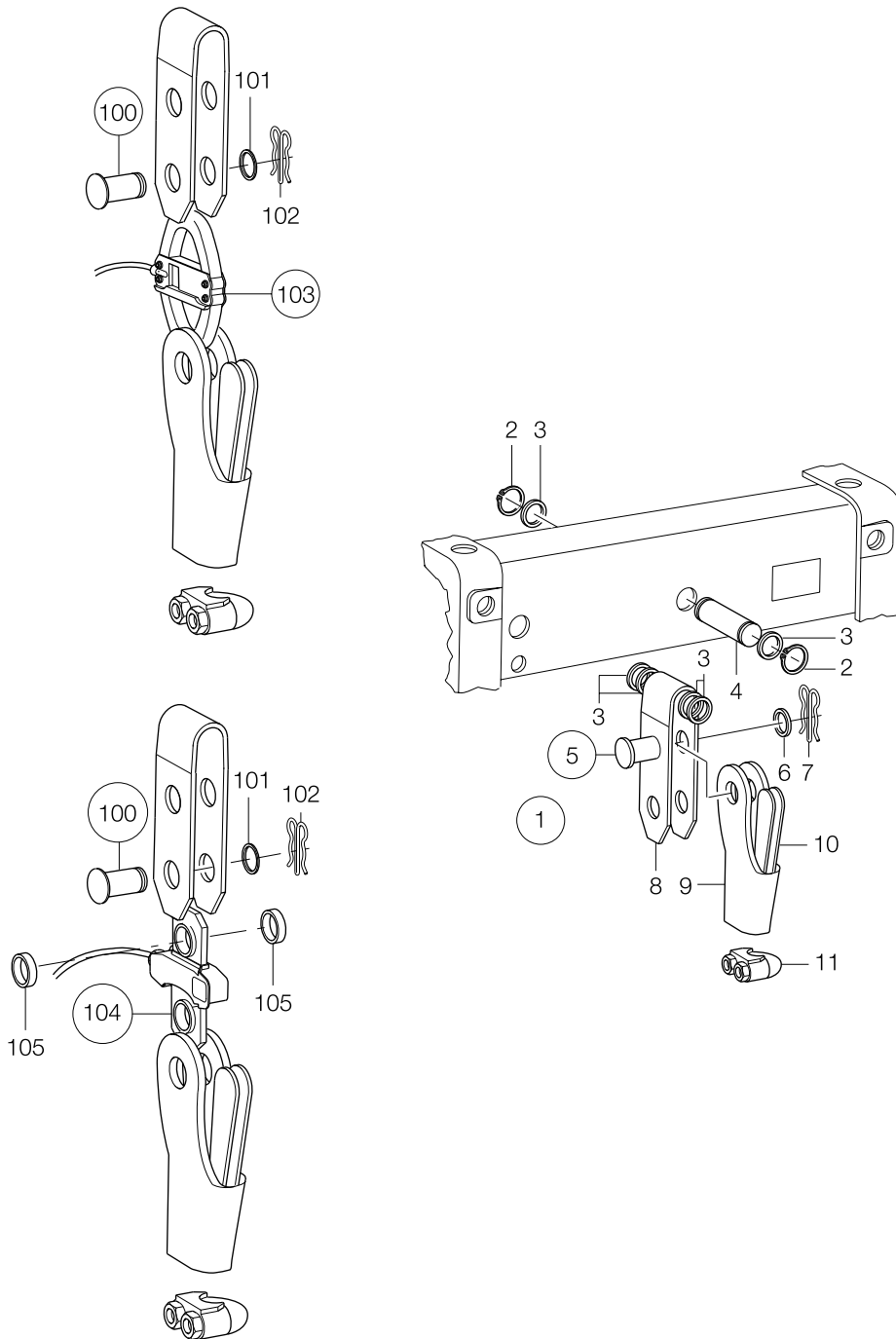
Item no.	Part no.	Quantity	Designation		Material	Standard
7	31927499	6	HEX.SOCK.SCREW M12X40	1/1, 2/1, 4/1	10.9	DIN 912
8	82434844	3	ROPE CLAMP 16/20	1/1, 2/1, 4/1		
9	82430244	2	SINGLE GROOVE ROPE DRUM	1/1, 2/1, 4/1		
9	82430444	1	SINGLE GROOVE ROPE DRUM	1/1, 2/1, 4/1		
9	82430644	1	SINGLE GROOVE ROPE DRUM	1/1, 2/1, 4/1		
9	82430044	1	ROPE DRUM 1RIL.20	1/1, 2/1, 4/1, H51		
10	30028444	8	SAFETY NUT M 12			
11	30028344	4	SAFETY NUT M10			
12	82480044	1	ROPE GUIDE 10/20 -L	1/1, 2/1, 4/1		
12	82480244	1	ROPE GUIDE 10/20 -L	1/1, 2/1, 4/1, ACID-RESISTANT		
14	82481044	1	ROPE GUIDE 10/14 L	2/2, 4/2		
14	82481144	1	ROPE GUIDE 10/14 L	2/2, 4/2, ACID-RESISTANT		
15	82481244	1	ROPE GUIDE 10/14 -R	2/2, 4/2		
15	82481844	1	ROPE GUIDE 10/14 -R	2/2, 4/2, ACID-RESISTANT		
17	31925899	12	HEX.SOCK.SCREW M 10X35	2/2, 4/2	10.9	DIN 912
18	82334844	6	ROPE CLAMP 14	2/2, 4/2		
19	82431244	4	DRUM 1000 2GRV. L/R	2/2, 4/2		
19	82431444	1	DRUM 1000 2GRV. L/R	2/2, 4/2		
19	82431644	1	DRUM 1000 2GRV. L/R	2/2, 4/2		
19	44112946	1	ROPE DRUM 2-RIL.S14	2/2, 4/2, H 51		
20	82447544	38,1m	WIRE ROPE 20 POWERLIFT	1/1, H 16, DH 1063 1)		
20	82447544	54,1m	WIRE ROPE 20 POWERLIFT	1/1, H 24, DH 1063 1)		
20	82447544	86,1m	WIRE ROPE 20 POWERLIFT	1/1, H 40, DH 1063 1)		
20	82447544	108,1m	WIRE ROPE 20 POWERLIFT	1/1, H 51, DH 1063 1)		
20	82447044	38,5m	WIRE ROPE 20 36X7	1/1, H 16, DH 1050, 1040, 1032, 1025 1)	MB245,3 KN	DIN 3071
20	82447044	54,1m	WIRE ROPE 20 36X7	1/1, H 24, DH 1050, 1040, 1032, 1025 1)	MB245,3 KN	DIN 3071
20	82447044	86,1m	WIRE ROPE 20 36X7	1/1, H 40, DH 1050, 1040, 1032, 1025 1)	MB245,3 KN	DIN 3071
20	82447044	108,1m	WIRE ROPE 20 36X7	1/1, H 51, DH 1050, 1040, 1032, 1025 1)	MB245,3 KN	DIN 3071
20	82449044	39,6m	WIRE ROPE 20	2/1, H 16, DH 1063, 1050, 1040 1)		
20	82449044	40m	WIRE ROPE 20	2/1, H 16, DH 1032, 1025 1)		
20	82449044	55,3m	WIRE ROPE 20	2/1, H 24, DH 1063, 1050, 1040 1)		
20	82449044	55,7m	WIRE ROPE 20	2/1, H 24, DH 1032, 1025 1)		
20	82447044	87,3m	WIRE ROPE 20 36X7	2/1, H 40, DH 1063, 1050, 1040 1)	MB245,3 KN	DIN 3071
20	82447044	87,7m	WIRE ROPE 20 36X7	2/1, H 40, DH 1032, 1025 1)	MB245,3 KN	DIN 3071
20	82447044	109,3m	WIRE ROPE 20 36X7	2/1, H 51, DH 1063, 1050, 1040 1)	MB245,3 KN	DIN 3071
20	82447044	109,7m	WIRE ROPE 20 36X7	2/1, H 51, DH 1032, 1025 1)	MB245,3 KN	DIN 3071
20	82449044	42m	WIRE ROPE 20	4/1, H 16, DH 1063, 1050, 1040 1)		
20	82449044	43,2m	WIRE ROPE 20	4/1, H 16, DH 1032, 1025 1)		
20	82449044	57,7m	WIRE ROPE 20	4/1, H 24, DH 1063, 1050, 1040 1)		
20	82449044	58,8m	WIRE ROPE 20	4/1, H 24, DH 1032, 1025 1)		
20	82449044	89,7m	WIRE ROPE 20	4/1, H 40, DH 1063, 1050, 1040 1)		
20	82449044	90,8m	WIRE ROPE 20	4/1, H 40, DH 1032, 1025 1)		
20	82449044	111,7m	WIRE ROPE 20	4/1, H 51, DH 1063, 1050, 1040 1)		
20	82449044	112,8m	WIRE ROPE 20	4/1, H 51, DH 1032, 1025 1)		
20	82347544	22,6m	W. ROPE 14 POWERLIFT	2/2, H 16, DH 1063, 2 X 22,6 M 1)		
20	82347544	33,8m	W. ROPE 14 POWERLIFT	2/2, H 24, DH 1063, 2 X 33,8 M 1)		
20	82347544	56,4m	W. ROPE 14 POWERLIFT	2/2, H 40, DH 1063, 2 X 56,4 M 1)		
20	82347544	72,8m	W. ROPE 14 POWERLIFT	2/2, H 51, DH 1063, 2 X 72,8 M 1)		
20	82347044	22,6m	W. ROPE 14 POWERLIFT	2/2, H 16, DH 1050, 1040, 1032, 1025, 2 X 22,6 M 1)		
20	82347044	33,8m	W. ROPE 14 POWERLIFT	2/2, H 24, DH 1050, 1040, 1032, 1025, 2 X 33,8 M 1)		
20	82347044	56,4m	W. ROPE 14 POWERLIFT	2/2, H 40, DH 1050, 1040, 1032, 1025, 2 X 56,4 M 1)		
20	82347044	72,8m	W. ROPE 14 POWERLIFT	2/2, H 51, DH 1050, 1040, 1032, 1025, 2 X 72,8 M 1)		
20	82349044	47,1m	WIRE ROPE	4/2, H 16, DH 1063, 1050, 1040, 2 X 47,1 M 1)		
20	82349044	47,6m	WIRE ROPE	4/2, H 16, DH 1032, 1025, 2 X 47,6 M 1)		
20	82349044	69,3m	WIRE ROPE	4/2, H 24, DH 1063, 1050, 1040, 2 X 69,3 M 1)		
20	82349044	69,8m	WIRE ROPE	4/2, H 24, DH 1032, 1025, 2 X 69,8 M 1)		
20	82349044	114,5m	WIRE ROPE	4/2, H 40, DH 1063, 1050, 1040, 2 X 114,5 M 1)		
20	82349044	115m	WIRE ROPE	4/2, H 40, DH 1032, 1025, 2 X 115 M 1)		
20	82349044	147,3m	WIRE ROPE	4/2, H 51, DH 1063, 1050, 1040, 2 X 147,3 M 1)		
20	82349044	147,8m	WIRE ROPE	4/2, H 51, DH 1032, 1025, 2 X 147,8 M 1)		
21	34256699	2	RETAINING RING 85X3		FEDST	DIN 471
22	82417644	1	CONN. SHAFT DH1000 H16	2)		
22	82417744	1	CONN. SHAFT DH1000 H24	2)		
22	82417844	1	CONN. SHAFT DH1000 H40	2)		
22	82417944	1	CONN. SHAFT DH1000 H51	2)		
23	82436144	1	DRUM BEARING SET DH2000	3)		
23	82435744	1	DRUM BEARING SET 40WIDE	OLD DESIGN 3)		
27			GEARBOX	SEE PAGE 12 - 17 4)		
28	31925899	4	HEX.SOCK.SCREW M 10X35		10.9	DIN 912
30	36054946	2	PIPE SOCKET NW37			

22231108.tbl

- 1) Supplied per metre, state length required when ordering.
- 2) Geared parts to be greased with Staburags NBU 12 K, part no. 472 933 44.
- 3) From serial number 270 001 the drum bearing can only be used with a new gearbox..
- 4) Sealing surfaces between motor and gearbox flange to be sealed with Loctite 573. Part no. 033 068 44.

Rope retaining crosshead DH 1000

2/1 reeving



Rope retaining crosshead DH 1000

2/1 reeving

Item no.	Part no.	Quantity	Designation		Material	Standard
1	82850044	1	ROPE RET.CRS.DH1000 2/1	C/W ITEMS 2 - 9 1)		
2	34243599	2	RETAINING RING 35X2,5		FEDST IL	DIN 471
3	34351499	6	SHIM 35X45X1		ST2K50	DIN 988
4	82831644	1	PIN 35 H 8X145 GRV.	1)		
5	82458044	1	PIN + SPRING CLIP SET	C/W ITEMS 7, 8 2)		
6	34349799	1	SUPPORT. RING 40X50X2,5		FEDST	DIN 988
7	34307044	1	PLUG,DFED 4 X 83			
8	82831244	1	ROPE RET. CROSSH. PLATE			
9	58032844	1	ROPE SOCK. F 16 -20			
10	58000444	1	R. WEDGE F 20			
11	60079444	1	ROPE CLAMP 20,0-25,0M20			
100	82458044	1	PIN + SPRING CLIP SET	C/W ITEMS 101, 102 1)		
101	34349799	1	SUPPORT. RING 40X50X2,5		FEDST	DIN 988
102	34307044	1	PLUG,DFED 4 X 83			
103	49160744	1	MGS UNIT 6,25	DH 1063, C/W ITEM 100		
103	49159444	1	MGS UNIT 5,0 T	DH 1050, C/W ITEM 100		
103	49169444	1	MGS UNIT 4,0	DH 1040, C/W ITEM 100		
103	49179444	1	MGS UNIT 3,15 T	DH 1032, C/W ITEM 100		
103	49189444	1	MGS UNIT 2,5 T	DH 1025, C/W ITEM 100		
104	49160244	1	STRAIN GAUGE LINK W.CBL	C/W ITEMS 100, 105		
105	34205944	2	RING 43 X 50 X11,5			

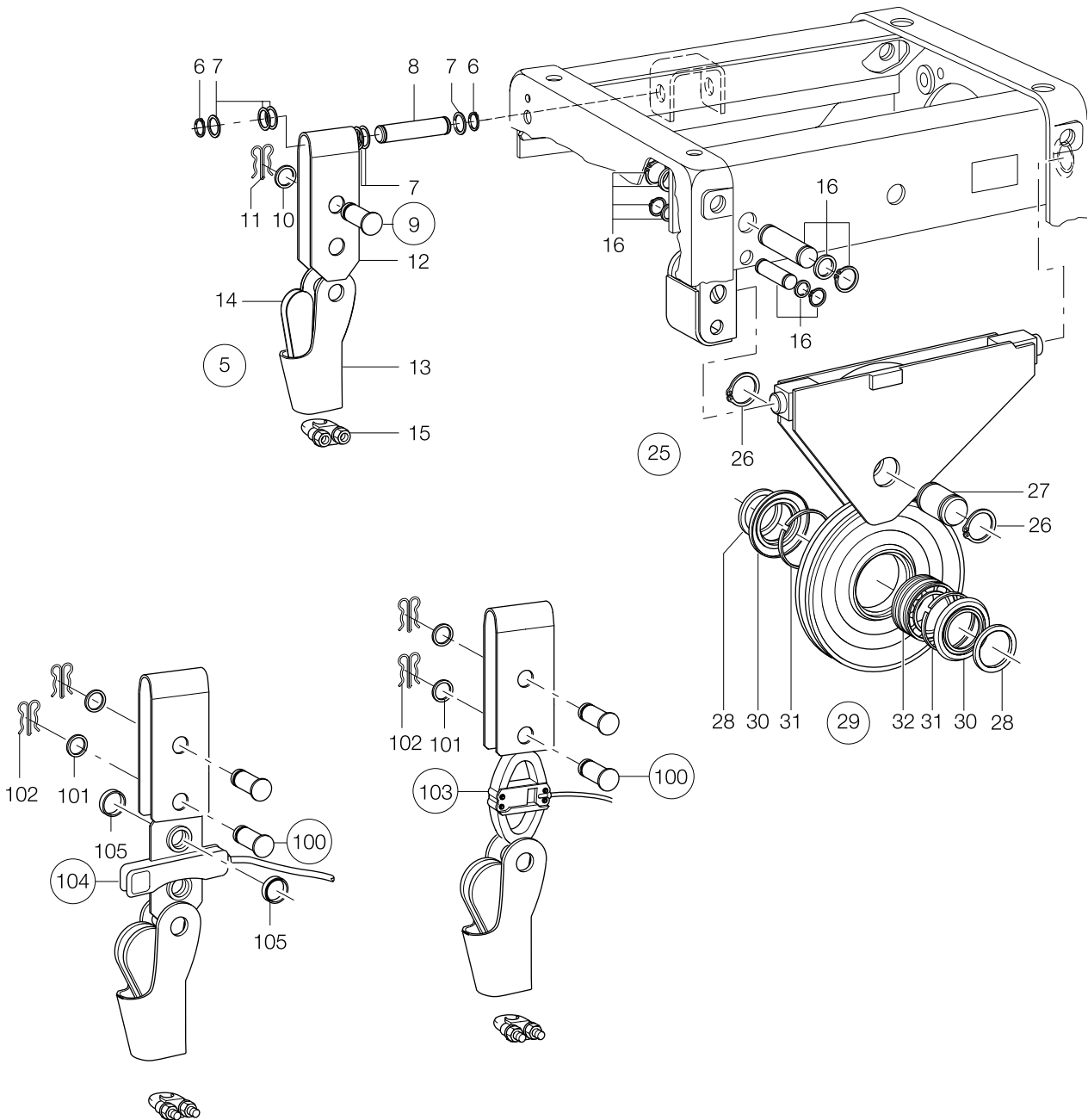
22231109.tbl

- 1) The bearings of the setpin/pin of the rope socket must be lubricated with a suitable adhesive grease. When ordering, a tube of Staburags NBU 12 K must also be ordered. Part no. 472 933 44 (100 g).
- 2) Check during maintenance. Check play of setpin/pin in the bore hole of the rope retaining crosshead plate (max. wear in the plate 1 mm). The bearings must be lubricated with a suitable adhesive grease. Part no. 472 933 44.

Rope retaining crosshead and return sheave 365/20

DH 1063, 1050, 1040

4/1 reeving



Rope retaining crosshead and return sheave 365/20

DH 1063, 1050, 1040

4/1 reeving

Item no.	Part no.	Quantity	Designation	Material	Standard
5	82850044	1	ROPE RET.CRS.DH1000 2/1		
6	34243599	2	RETAINING RING 35X2,5	C/W ITEMS 6 - 13 1)	
7	34351499	6	SHIM 35X45X1		FEDST IL DIN 471
8	82831644	1	PIN 35 H 8X145 GRV.	1)	DIN 988
9	82458044	1	PIN + SPRING CLIP SET	C/W ITEMS 10, 11 2)	
10	34349799	1	SUPPORT. RING 40X50X2,5		FEDST DIN 988
11	34307044	1	PLUG,DFED 4 X 83		
12	82831244	1	ROPE RET. CROSSH. PLATE		
13	58032844	1	ROPE SOCK. F 16 -20		
14	58000444	1	R. WEDGE F 20		
15	60079444	1	ROPE CLAMP 20,0-25,0M20		
16	82835644	1	FITTINGS RETURN SHV.		
25	82834044	1	RETURN SHV. 365/20	C/W ITEMS 26 - 29 3)	
26	34256099	2	RETAINING RING 70X2,5		FEDST IL DIN 471
27	82835444	1	PIN 70 H 8X105 GRV.		
28	82835844	2	WASHER 90X70,2X6		
29	82967844	1	ROPE SHV. 365 20 HART	C/W ITEMS 30 - 32	
30	82931944	2	BEARG COVER 365		
31	34230944	2	SPRING RING WRE 110		
32	34230844	1	CYL. RO. BRG.SL04 5014X		
100	82458044	1	PIN + SPRING CLIP SET	C/W ITEMS 101, 102 1)	
101	34349799	1	SUPPORT. RING 40X50X2,5		FEDST DIN 988
102	34307044	1	PLUG,DFED 4 X 83		
103	49160744	1	MGS UNIT 6,25	DH 1063, C/W ITEM 100	
103	49159444	1	MGS UNIT 5,0 T	DH 1050, C/W ITEM 100	
103	49169444	1	MGS UNIT 4,0	DH 1040, C/W ITEM 100	
104	49160244	1	STRAIN GAUGE LINK W.CBL	C/W ITEMS 100, 105	
105	34205944	2	RING 43 X 50 X11,5		

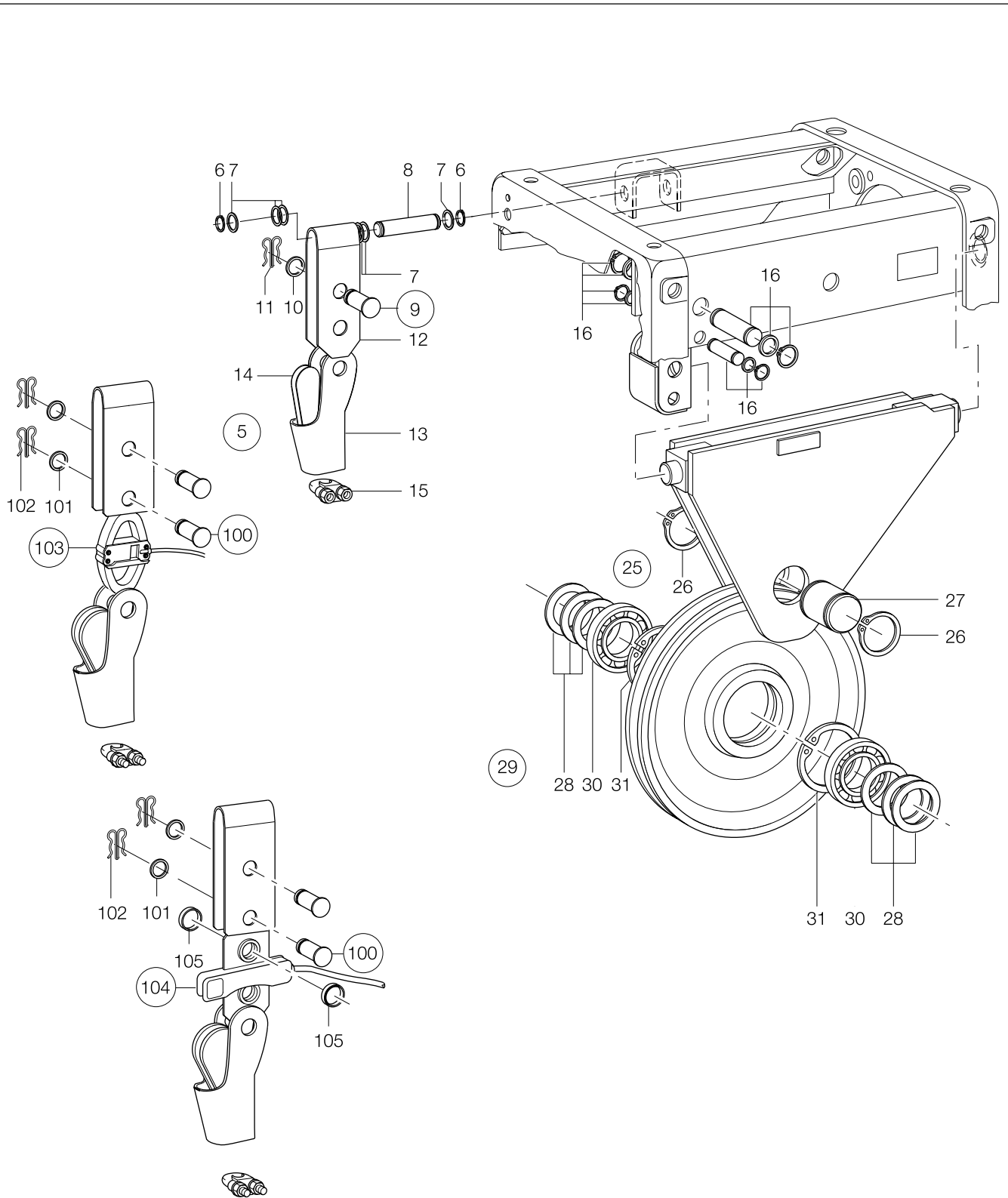
22231110.tbl

- 1) The bearings of the setpin/pin of the rope socket must be lubricated with a suitable adhesive grease. When ordering, a tube of Staburags NBU 12 K must also be ordered. Part no. 472 933 44 (100 g).
- 2) Check during maintenance.
Check play of setpin/pin in the bore hole of the rope retaining crosshead plate (max. wear in the plate 1 mm). The bearings must be lubricated with a suitable adhesive grease. Part no. 472 933 44.
- 3) The bearings of the return sheave must be lubricated with a suitable adhesive grease. When ordering, a tube of Staburags NBU 12 K must also be ordered. Part no. 472 933 44 (100 g).

Rope retaining crosshead and return sheave 450/20

DH 1032, 1025

4/1 reeving



Rope retaining crosshead and return sheave 450/20

DH 1032, 1025

4/1 reeving

Item no.	Part no.	Quantity	Designation	Material	Standard
5	82850044	1	ROPE RET.CRS.DH1000 2/1		
6	34243599	2	RETAINING RING 35X2,5		
7	34351499	6	SHIM 35X45X1		
8	82831644	1	PIN 35 H 8X145 GRV.		
9	82458044	1	PIN + SPRING CLIP SET		
10	34349799	1	SUPPORT. RING 40X50X2,5		
11	34307044	1	PLUG,DFED 4 X 83		
12	82831244	1	ROPE RET. CROSSH. PLATE		
13	58032844	1	ROPE SOCK. F 16 -20		
14	58000444	1	R. WEDGE F 20		
15	60079444	1	ROPE CLAMP 20,0-25,0M20		
16	82835644	1	FITTINGS RETURN SHV.		
25	82836044	1	RETURN SHV. 450/20		
26	34256899	2	RETAINING RING 90X3		
27	82836444	1	PIN 90 H 9X107 GRV.		
28	34350999	2	SHIM 90X110X0,3		
29	82944644	1	ROPE SHV. 450 20,4 HARD		
30	36085299	2	GRV.BALL BRG6018 2Z		
31	34267899	2	RETAINING RING 140X4		
100	82458044	1	PIN + SPRING CLIP SET		
101	34349799	1	SUPPORT. RING 40X50X2,5		
102	34307044	1	PLUG,DFED 4 X 83		
103	49179444	1	MGS UNIT 3,15 T		
103	49189444	1	MGS UNIT 2,5 T		
104	49160244	1	STRAIN GAUGE LINK W.CBL		
105	34205944	2	RING 43 X 50 X11,5		

C/W ITEMS 6 - 13 1)

FEDST IL
ST2K50
DIN 471
DIN 988

1)
C/W ITEMS 10, 11 2)

FEDST
DIN 988

C/W ITEMS 26 - 29 3)

FEDST IL
DIN 471

C/W ITEMS 30 - 31

ST2K50
DIN 988

C/W ITEMS 101, 102 1)

W LZ-ST
FEDST
DIN 625
DIN 472

DH 1032, C/W ITEM 100

DH 1025, C/W ITEM 100

C/W ITEMS 100, 105

FEDST
DIN 988

22231111.tbl

1) The bearings of the setpin/pin of the rope socket must be lubricated with a suitable adhesive grease. When ordering, a tube of Staburags NBU 12 K must also be ordered. Part no. 472 933 44 (100 g).

2) Check during maintenance.

Check play of setpin/pin in the bore hole of the rope retaining crosshead plate (max. wear in the plate 1 mm). The bearings must be lubricated with a suitable adhesive grease. Part no. 472 933 44.

3) The bearings of the return sheave must be lubricated with a suitable adhesive grease. When ordering, a tube of Staburags NBU 12 K must also be ordered. Part no. 472 933 44 (100 g).

Rope retaining crosshead and return sheave 365/20

DH 1063, 1050, 1040

4/1 reeving, type B

Item no.	Part no.	Quantity	Designation		Material	Standard
5	82850044	1	ROPE RET.CRS.DH1000 2/1	C/W ITEMS 6 - 13 1)		
6	34243599	2	RETAINING RING 35X2,5		FEDST IL	DIN 471
7	34351499	6	SHIM 35X45X1		ST2K50	DIN 988
8	82831644	1	PIN 35 H 8X145 GRV.	1)		
9	82458044	1	PIN + SPRING CLIP SET	C/W ITEMS 10, 11 2)		
10	34349799	1	SUPPORT. RING 40X50X2,5		FEDST	DIN 988
11	34307044	1	PLUG,DFED 4 X 83			
12	82831244	1	ROPE RET. CROSSH. PLATE			
13	58032844	1	ROPE SOCK. F 16 -20			
14	58000444	1	R. WEDGE F 20			
15	60079444	1	ROPE CLAMP 20,0-25,0M20			
16	55000846	1	RETURN SHEAVE DH1063-40 4/1	H 40, C/W ITEMS 17 - 20, 24 - 26 3)		
16	55000946	1	RETURN SHEAVE DH1063-40 4/1	H 51, C/W ITEMS 17 - 20, 24 - 26 3)		
17	34256099	2	RETAINING RING 70X2,5		FEDST IL	DIN 471
18	34139599	2	SUPPORT.RING 70X 90X3,5		FEDST	DIN 988
19	44849246	1	RETURN SHV. PIN 365/20			
20	82967844	1	ROPE SHV. 365 20 HART	C/W ITEMS 21 - 23		
21	34230844	1	CYL. RO. BRG.SL04 5014X			
22	34230944	2	SPRING RING WRE 110			
23	82931944	2	BEARG COVER 365			
24	82835844	2	WASHER 90X70,2X6			
25	82822944	1	BUSH 50X64,5X32			
26	34255799	1	RETAINING RING 65X2,5		FEDST IL	DIN 471
100	82458044	1	PIN + SPRING CLIP SET	C/W ITEMS 101, 102 1)		
101	34349799	1	SUPPORT. RING 40X50X2,5		FEDST	DIN 988
102	34307044	1	PLUG,DFED 4 X 83			
103	49160744	1	MGS UNIT 6,25	DH 1063, C/W ITEM 100		
103	49159444	1	MGS UNIT 5,0 T	DH 1050, C/W ITEM 100		
103	49169444	1	MGS UNIT 4,0	DH 1040, C/W ITEM 100		
104	49160244	1	STRAIN GAUGE LINK W.CBL	C/W ITEMS 100, 105		
105	34205944	2	RING 43 X 50 X11,5			

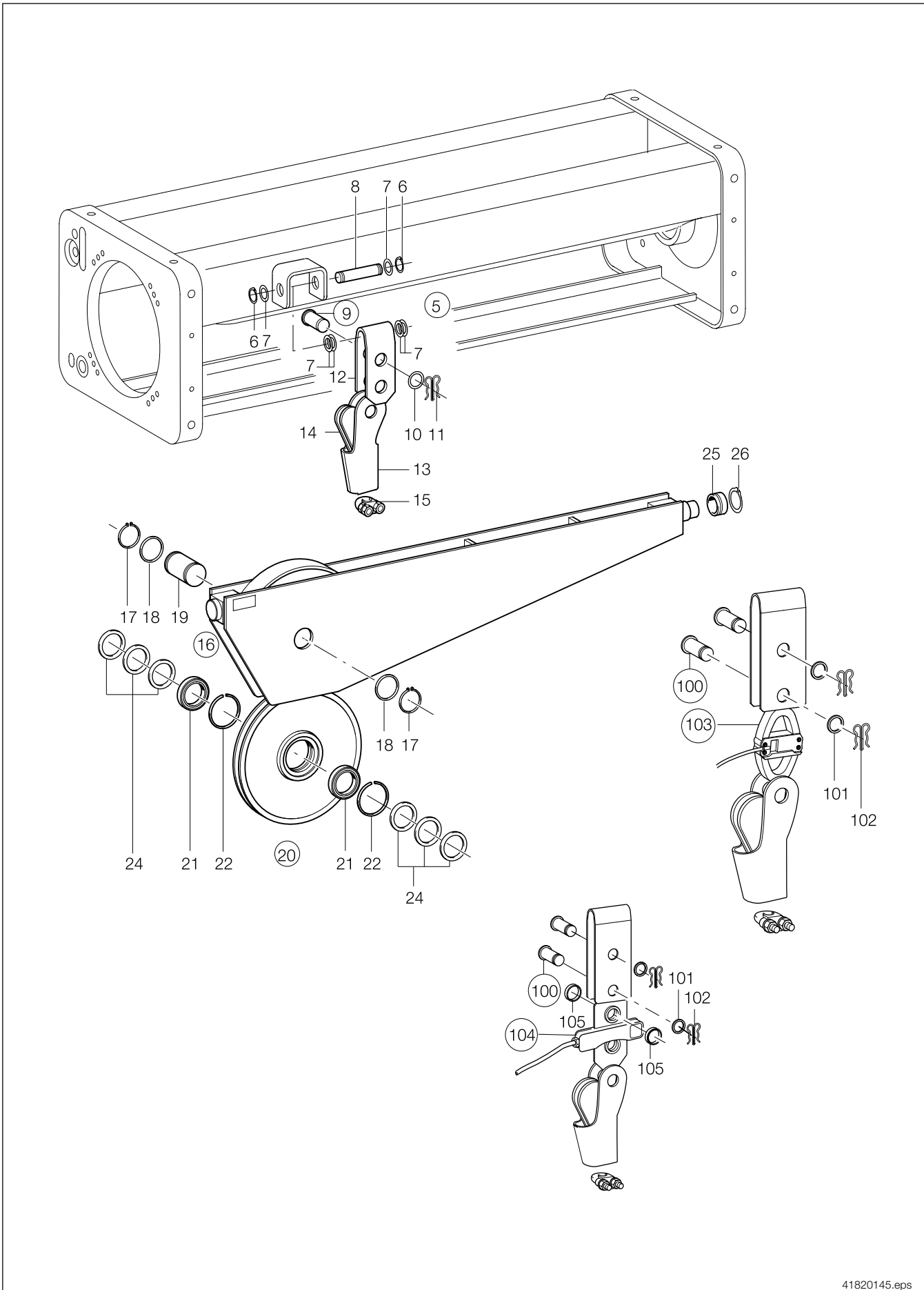
22231112.tbl

- 1) The bearings of the setpin/pin of the rope socket must be lubricated with a suitable adhesive grease. When ordering, a tube of Staburags NBU 12 K must also be ordered. Part no. 472 933 44 (100 g).
- 2) Check during maintenance.
Check play of setpin/pin in the bore hole of the rope retaining crosshead plate (max. wear in the plate 1 mm). The bearings must be lubricated with a suitable adhesive grease. Part no. 472 933 44.
- 3) The bearings of the return sheave must be lubricated with a suitable adhesive grease. When ordering, a tube of Staburags NBU 12 K must also be ordered. Part no. 472 933 44 (100 g).

Rope retaining crosshead and return sheave 450/20

DH 1032, 1025

4/1 reeving, type B



Rope retaining crosshead and return sheave 450/20

DH 1032, 1025

4/1 reeving, type B

Item no.	Part no.	Quantity	Designation	Material	Standard
5	82850044	1	ROPE RET.CRS.DH1000 2/1		
6	34243599	2	RETAINING RING 35X2,5		
7	34351499	6	SHIM 35X45X1	FEDST IL ST2K50	DIN 471 DIN 988
8	82831644	1	PIN 35 H 8X145 GRV.		
9	82458044	1	PIN + SPRING CLIP SET		
10	34349799	1	SUPPORT. RING 40X50X2,5		
11	34307044	1	PLUG,DFED 4 X 83		
12	82831244	1	ROPE RET. CROSSH. PLATE		
13	58032844	1	ROPE SOCK. F 16 -20		
14	58000444	1	R. WEDGE F 20		
15	60079444	1	ROPE CLAMP 20,0-25,0M20		
16	55001146	1	RETURN SHEAVE DH1032-25 4/1		
16	55001246	1	RETURN SHEAVE DH1032-25 4/1		
17	34256899	2	RETAINING RING 90X3	FEDST IL	DIN 471
18	34348899	2	SUPPORT.RING 90X110X3,5	FEDST	DIN 988
19	44851246	1	RETURN SHV. PIN 450/20		
20	82944644	1	ROPE SHV. 450 20,4 HARD		
21	36085299	2	GRV.BALL BRG6018 2Z	WLZ-ST	DIN 625
22	34267899	2	RETAINING RING 140X4	FEDST	DIN 472
24	34350999	6	SHIM 90X110X0,3	ST2K50	DIN 988
25	82822944	1	BUSH 50X64,5X32		
26	34255799	1	RETAINING RING 65X2,5	FEDST IL	DIN 471
100	82458044	1	PIN + SPRING CLIP SET		
101	34349799	1	SUPPORT. RING 40X50X2,5		
102	34307044	1	PLUG,DFED 4 X 83		
103	49179444	1	MGS UNIT 3,15 T		
103	49189444	1	MGS UNIT 2,5 T		
104	49160244	1	STRAIN GAUGE LINK W.CBL		
105	34205944	2	RING 43 X 50 X11,5		

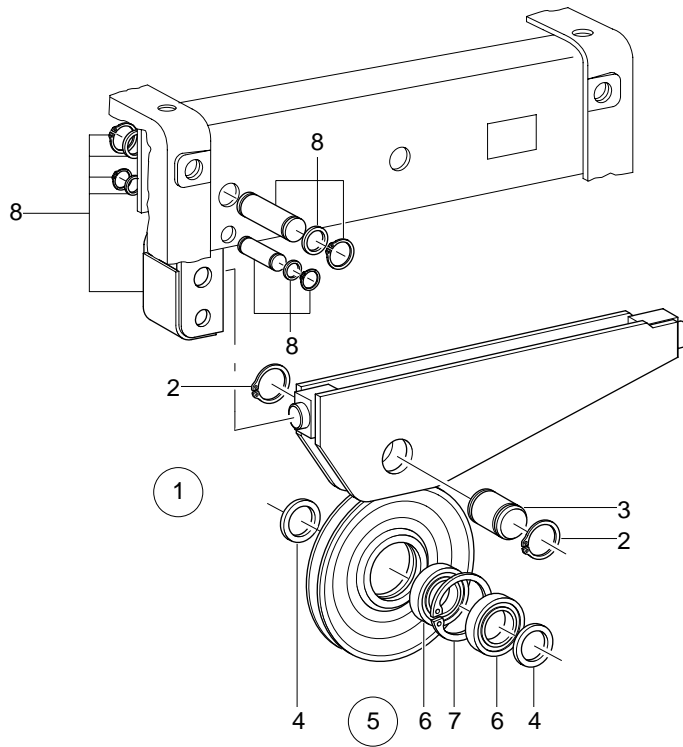
22231113.tbl

- 1) The bearings of the setpin/pin of the rope socket must be lubricated with a suitable adhesive grease. When ordering, a tube of Staburags NBU 12 K must also be ordered. Part no. 472 933 44 (100 g).
- 2) Check during maintenance.
Check play of setpin/pin in the bore hole of the rope retaining crosshead plate (max. wear in the plate 1 mm). The bearings must be lubricated with a suitable adhesive grease. Part no. 472 933 44.
- 3) The bearings of the return sheave must be lubricated with a suitable adhesive grease. When ordering, a tube of Staburags NBU 12 K must also be ordered. Part no. 472 933 44 (100 g).

Compensating sheave 225/14

DH 1000

4/2 reeving



40437344.eps

Item no.	Part no.	Quantity	Designation	Material	Standard
1	82837044	1	COMPENSATING SHEAVE 225 H16		
1	82837244	1	COMPENSATING SHEAVE 225 H24		
1	82837444	1	COMPENSATING SHEAVE 225 H40		
2	34255499	1	RETAINING RING 58X2		
3	82839444	1	PIN 45 H 9X79 GRV.	FEDST	DIN 471
4	34139699	1	SUPPORT. RING 45X55X3	FEDST	DIN 988
5	82839044	1	ROPE SHEAVE 225 14 KG		
6	36822999	1	GRV. BALL BRG 6209 2Z	WLZ-ST	DIN 625
7	34266699	1	RETAINING RING 85X3	FEDST	DIN 472
8	82835644	1	FITTINGS RETURN SHV.		

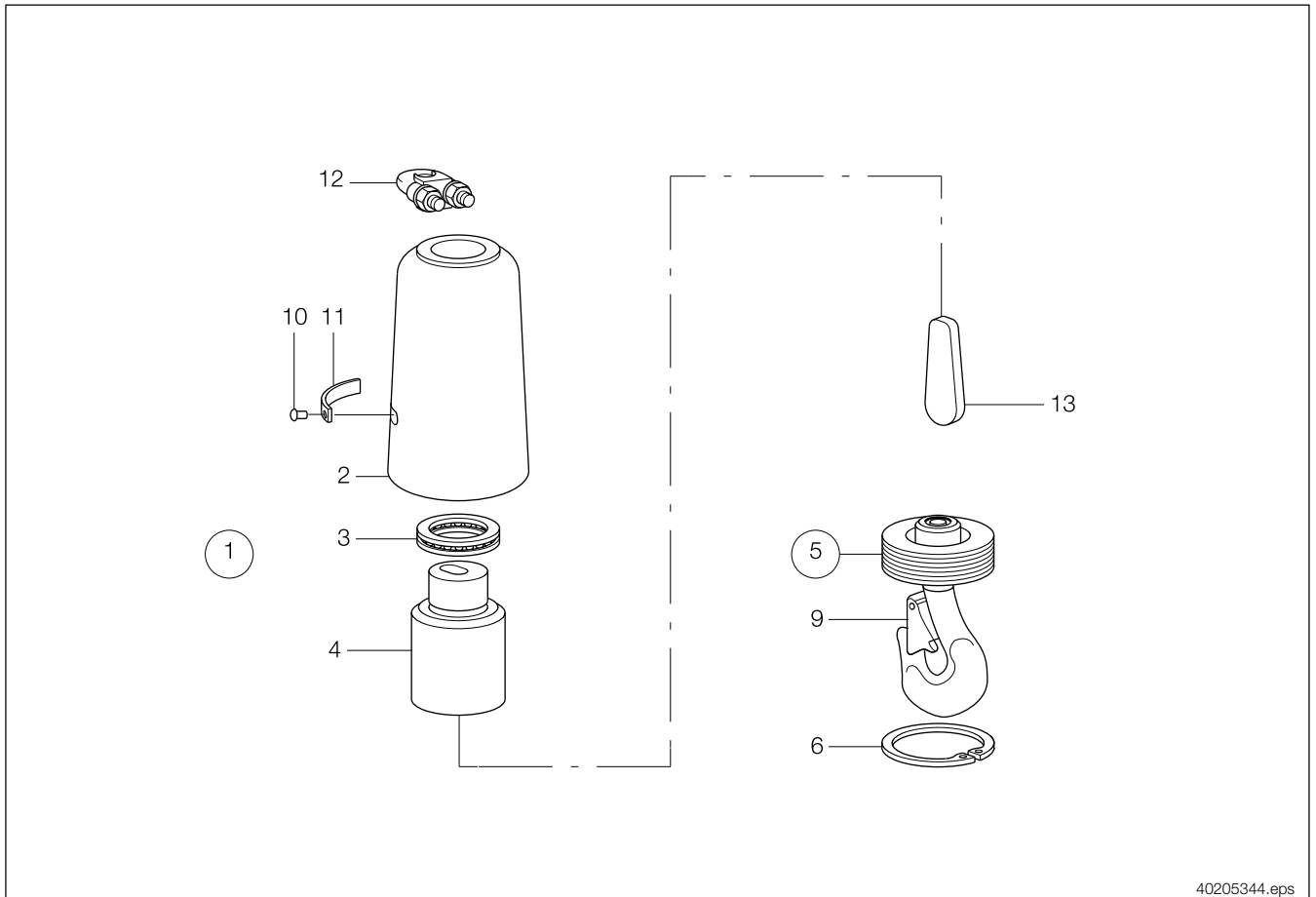
22231114.tbl

1) The bearings of the compensating sheave must be lubricated with a suitable adhesive grease
When ordering, a tube of Staburags NBU 12 K must also be ordered. Part no. 472 933 44 (100 g).

Hook with fittings

DH 1000

1/1 reeving

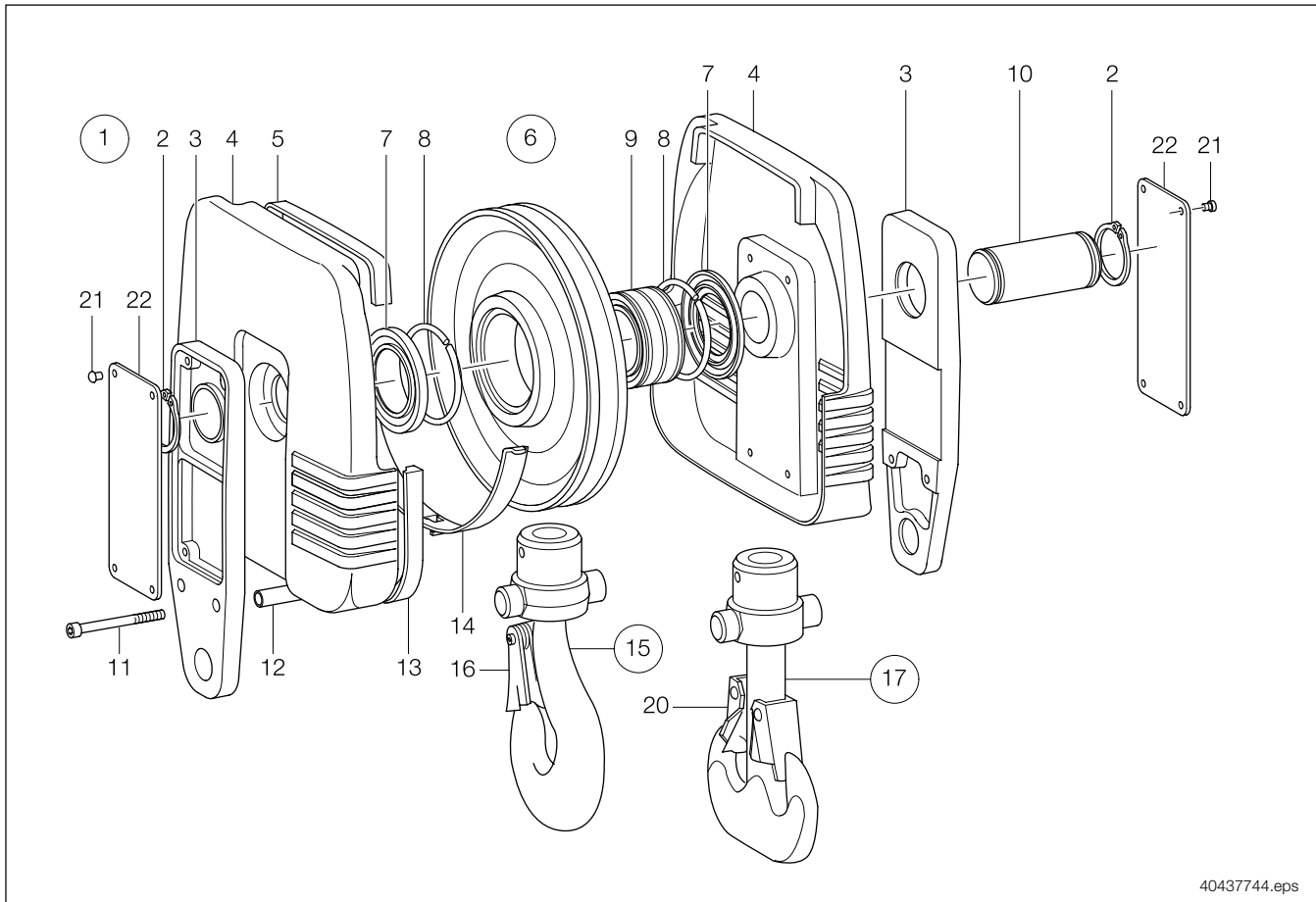


40205344.eps

Item no.	Part no.	Quantity	Designation	Material	Standard
1	58013044	1	HOOK ASSEMBLY DH1000		
2	58012244	1	COVER F. HOOK FITTINGS		
3	36401899	1	BALL THR. BRG. 51118	WLZ-ST	DIN 711
4	58012444	1	ROPE SOCK. HOOK ASSY		
5	58011044	1	SGL.HOOK ASSY 2,5		
6	34268499	1	RETAINING RING 170X4	FEDST	DIN 472
7	34182699	1	HOOK SAFETY CATCH 2,5		DIN 15106
8	35092199	1	GROOVED PIN 4X8	ST A2F	DIN 1476
9	59373844	1	SWL PLATE 6300 KG		
10	59273444	1	SWL PLATE 5000 KG	DH 1063	
11	58013844	1	SWL PLATE 4000 KG	DH 1050	
12	59080544	1	SWL PLATE 3,2 T AL	DH 1040	
13	59080444	1	SWL PLATE 2,5 T	DH 1032	
14	60079444	1	ROPE CLAMP 20,0-25,0M20	DH 1025	
15	58000444	1	R. WEDGE F 20		

22231115.tbl

365/20 bottom block
DH 1063, 1050, 1040
2/1 reeving



40437744.eps

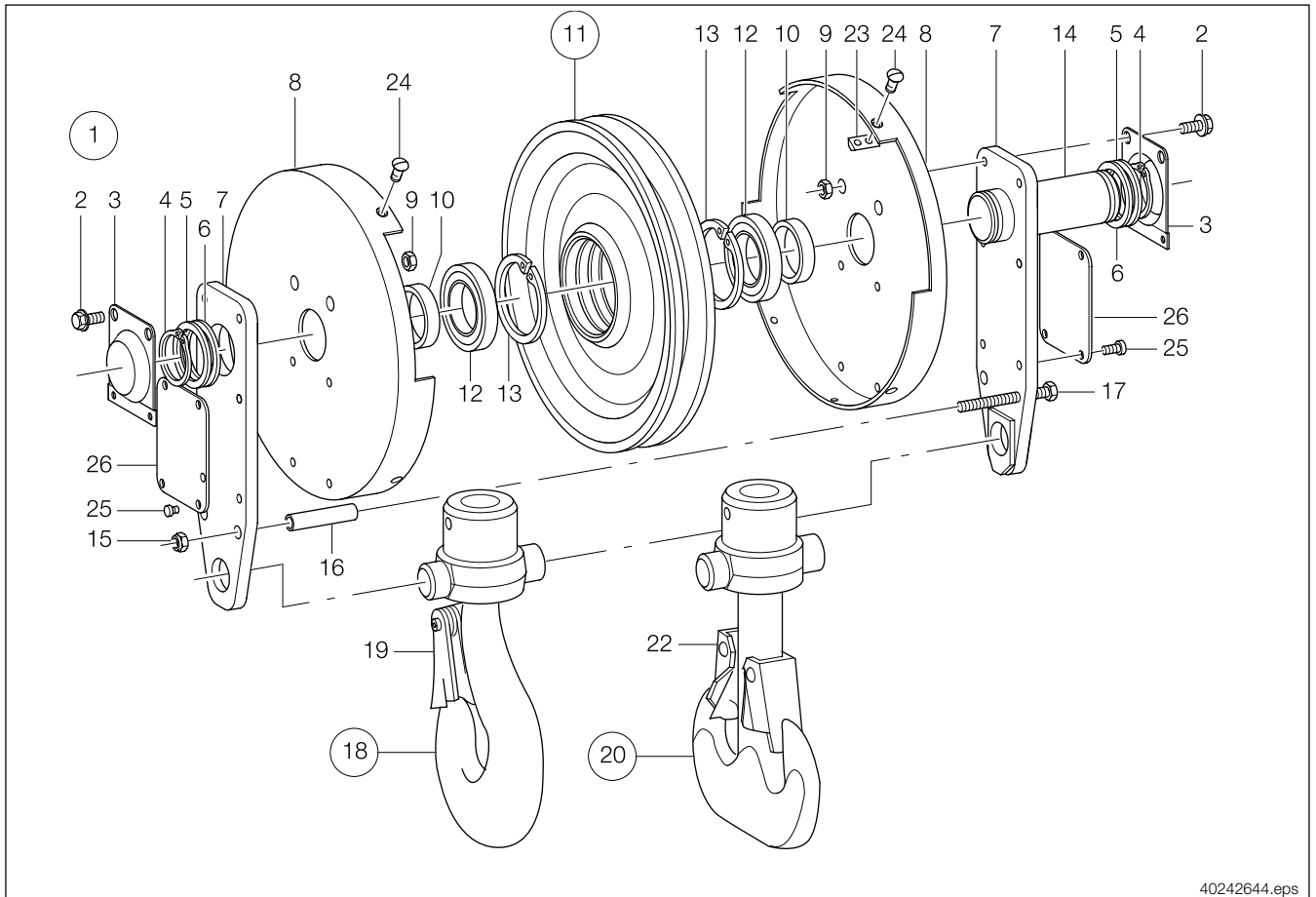
Item no.	Part no.	Quantity	Designation		Material	Standard
1	82931044	1	BOTTOM BL.1SHV.365/20	C/W ITEMS 2 - 6, 10 - 15		
2	34246899	2	RETAINING RING 70X4		FEDST	DIN 471
3	82930244	2	LINK PL. 365 2/1 70/5			
4	82930544	2	COVER 365-DH1000			
5	82930844	1	SEALING STRIP 365 BOTT.			
6	82967844	1	ROPE SHV. 365 20 HART	C/W ITEMS 7 - 9		
7	82931944	2	BEARG COVER 365			
8	34230944	2	SPRING RING WRE 110			
9	34230844	1	CYL. RO. BRG.SL04 5014X			
10	82930944	1	PIN 70 H 8X149 GRV.			
11	32139799	2	HEX.SOCK.SCREW M 10X130		8.8 A2F	DIN 912
12	82932344	2	TUBE 17,2X2,35X101			
13	82933844	2	SEALING STRIP 365 BOTT.			
14	82930644	1	GUIDE STIRRUP 365			
15	34166699	1	SINGLE HOOK SIZE 5	C/W ITEM 16		
16	34182899	1	HOOK SAFETY CATCH 5			DIN 15106
17	34176699	1	DOUBLE HOOK SIZE 5	C/W ITEM 20		
20	34187744	2	DBL.HOOK SAFE.CATCH8/10			
21	34230144	8	SELF-TAP.SCREW CM 5X 10		ST-Z A2F	DIN 7500
22	82989244	2	SWL PLATE 12,5 T	DH 1063		
22	82988044	2	SWL PLATE 10 T	DH 1050		
22	82988544	2	SWL PLATE 8 T	DH 1040		

22231116.tbl

450/20 bottom block

DH 1032, 1025

2/1 reeving



40242644.eps

Item no.	Part no.	Quantity	Designation	Material	Standard
1	82932044	1	BOTTOM BL.1SHV.450/20	C/W ITEMS 1 - 11, 14 - 18, 23, 24	
2	30024044	2	LOCK.SCR. M12X30 VB.RIP		
3	82992944	2	COVER DH 2000		
4	34256899	2	RETAINING RING 90X3	FEDST IL	DIN 471
5	34147899	2	SHIM 90X110X1	ST2K50	DIN 988
6	34350999	2	SHIM 90X110X0,3	ST2K50	DIN 988
7	82932544	2	LINK PL. 450 2/1 90/5	1)	
8	82940744	2	COVER 440 DH 2000		
9	00460998	4	SET NUT		
10	82932944	2	DIST.RING 450 INNER		
11	82944644	1	ROPE SHV. 450 20,4 HARD	C/W ITEMS 12 - 13	
12	36085299	2	GRV.BALL BRG6018 2Z	WLZ-ST	DIN 625
13	34267899	2	RETAINING RING 140X4	FEDST	DIN 472
14	82932844	1	PIN 90 G 6X 164 GRV.		
15	33461244	2	LOCK NUT V M12	8 A2F	DIN 980
16	58018244	2	TUBE 18X2,5X115		
17	15050399	2	HEXAGON SCREW M 12X160	8.8 A2F	ISO 4014
18	34166699	1	SINGLE HOOK SIZE 5	C/W ITEM 19	
19	34182899	1	HOOK SAFETY CATCH 5		DIN 15106
20	34176699	1	DOUBLE HOOK SIZE 5	C/W ITEM 22	
22	34187744	2	DBL.HOOK SAFE.CATCH8/10		
23	82940644	4	FLANGE 40X5X20 M 8		
24	31869099	8	CSK SCREW M 8X12	5.8 A2F	DIN- 964
25	34230144	8	SELF-TAP.SCREW CM 5X 10	ST-Z A2F	DIN 7500
26	82990344	2	SWL PLATE 6,3 T	DH 1032	
26	82990244	1	SWL PLATE 5 T AL	DH 1025	

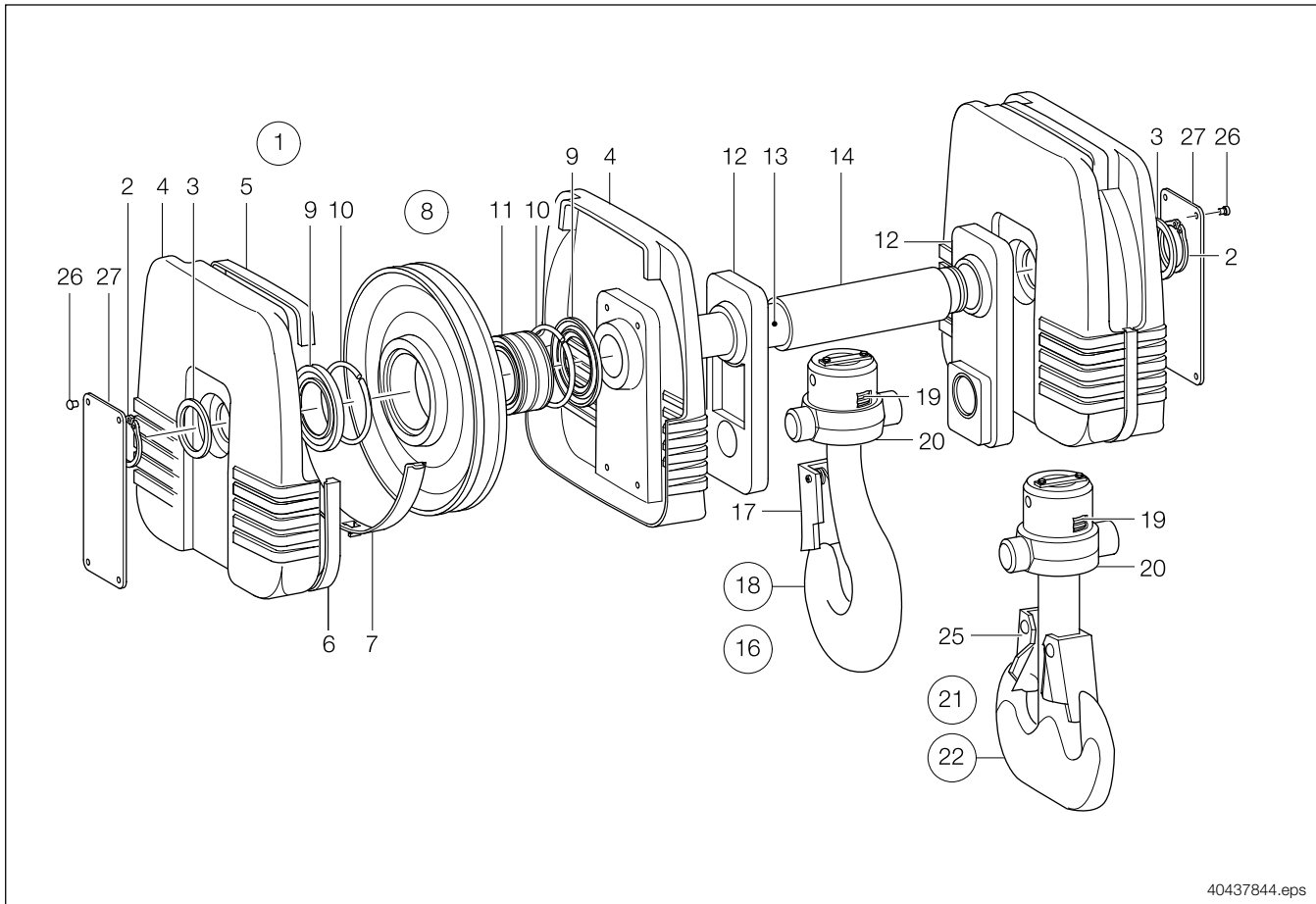
22231117.tbl

1) Shim to compensate for tolerance.

365/20 bottom block

DH 1063, 1050, 1040

4/1 reeving



40437844.eps

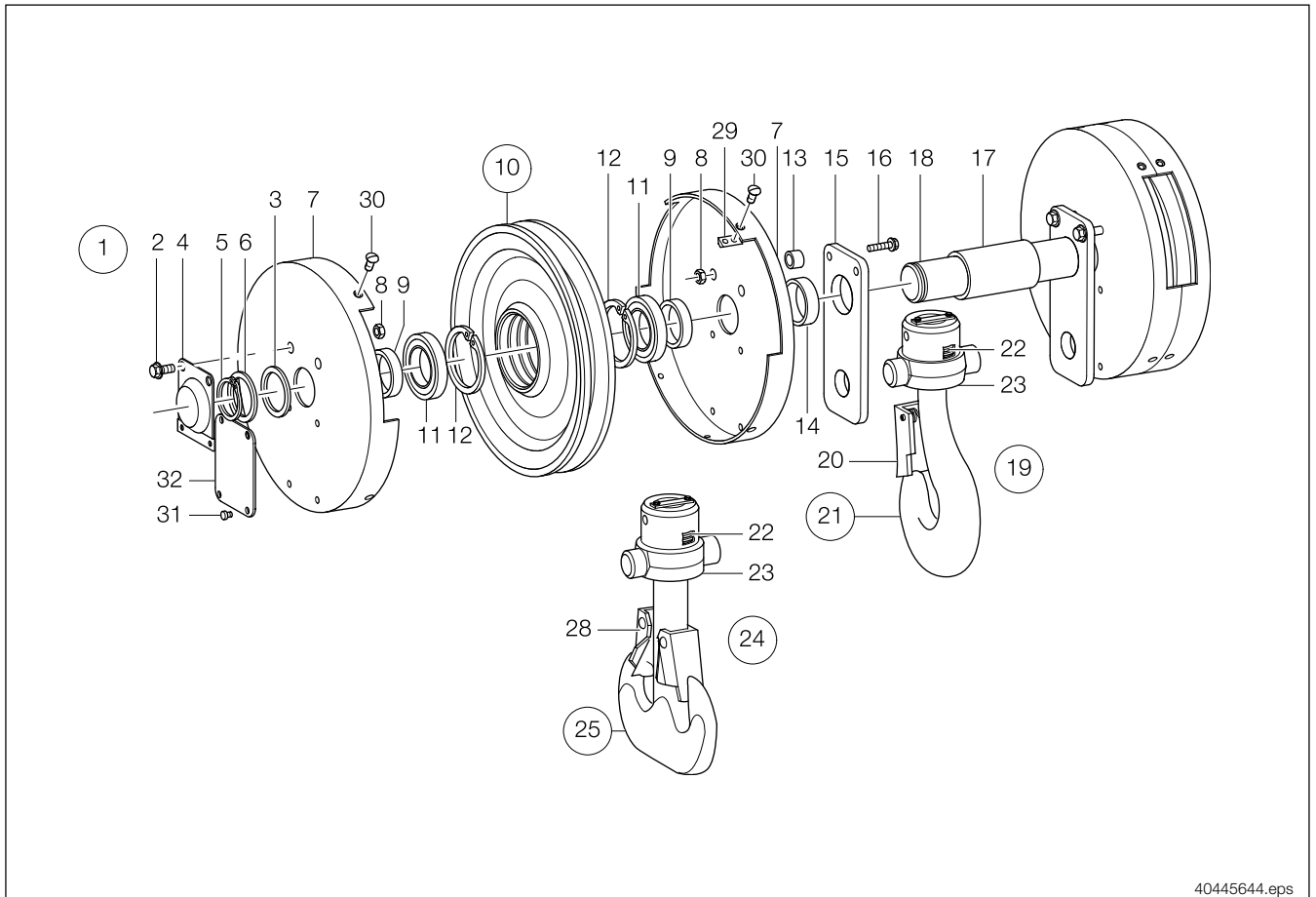
Item no.	Part no.	Quantity	Designation	Material	Standard
1	82934044	1	BOTTOM BL.2SHV.365/20	C/W ITEMS 2 - 8, 12 - 14, 16	
2	34246899	2	RETAINING RING 70X4	FEDST	DIN 471
3	34139599	2	SUPPORT.RING 70X 90X3,5	FEDST	DIN 988
4	82930544	4	COVER 365-DH1000		
5	82930844	2	SEALING STRIP 365 BOTT.		
6	82933844	4	SEALING STRIP 365 BOTT.		
7	82930644	2	GUIDE STIRRUP 365		
8	82967844	2	ROPE SHV. 365 20 HART	C/W ITEMS 9 - 11	
9	82931944	2	BEARG COVER 365		
10	34230944	2	SPRING RING WRE 110		
11	34230844	1	CYL. RO. BRG.SL04 5014X		
12	82933244	2	LINK PL. 365 4/1 70-10		
13	82934944	1	PIN 70 X 415 GRV.		
14	59384344	1	DISTANCE SLV.BOT.BL.4/1		
16	34167299	1	SINGLE HOOK SIZE 5	C/W ITEMS 18 - 20	
17	34183199	1	HOOK SAFETY CATCH 10		DIN 15106
18	34167199	1	SINGLE HOOK GSN 10M.MU	C/W ITEM 17	
19	36406899	1	BALL THR. BRG.51218	WLZ-ST	DIN 711
20	59219144	1	SUSPEN.CROSSBAR SIZE 10		
21	34177299	1	DOUBLE HOOK SIZE 5	C/W ITEMS 19, 20, 22	
22	34177199	1	DOUBLE HOOK GSN 10M.MU	C/W ITEM 25	
25	34188044	2	DBL.HOOK SAFE.CATCH8/10		
26	34230144	8	SELF-TAP.SCREW CM 5X 10	ST-Z A2F	DIN 7500
27	82988244	2	SWL PLATE 25 T AL	DH 1063	
27	82988144	2	SWL PLATE 20 T AL	DH 1050	
27	82988644	2	SWL PLATE 16 T AL	DH 1040	

22231118.tbl

450/20 bottom block

DH 1032, 1025

4/1 reeving



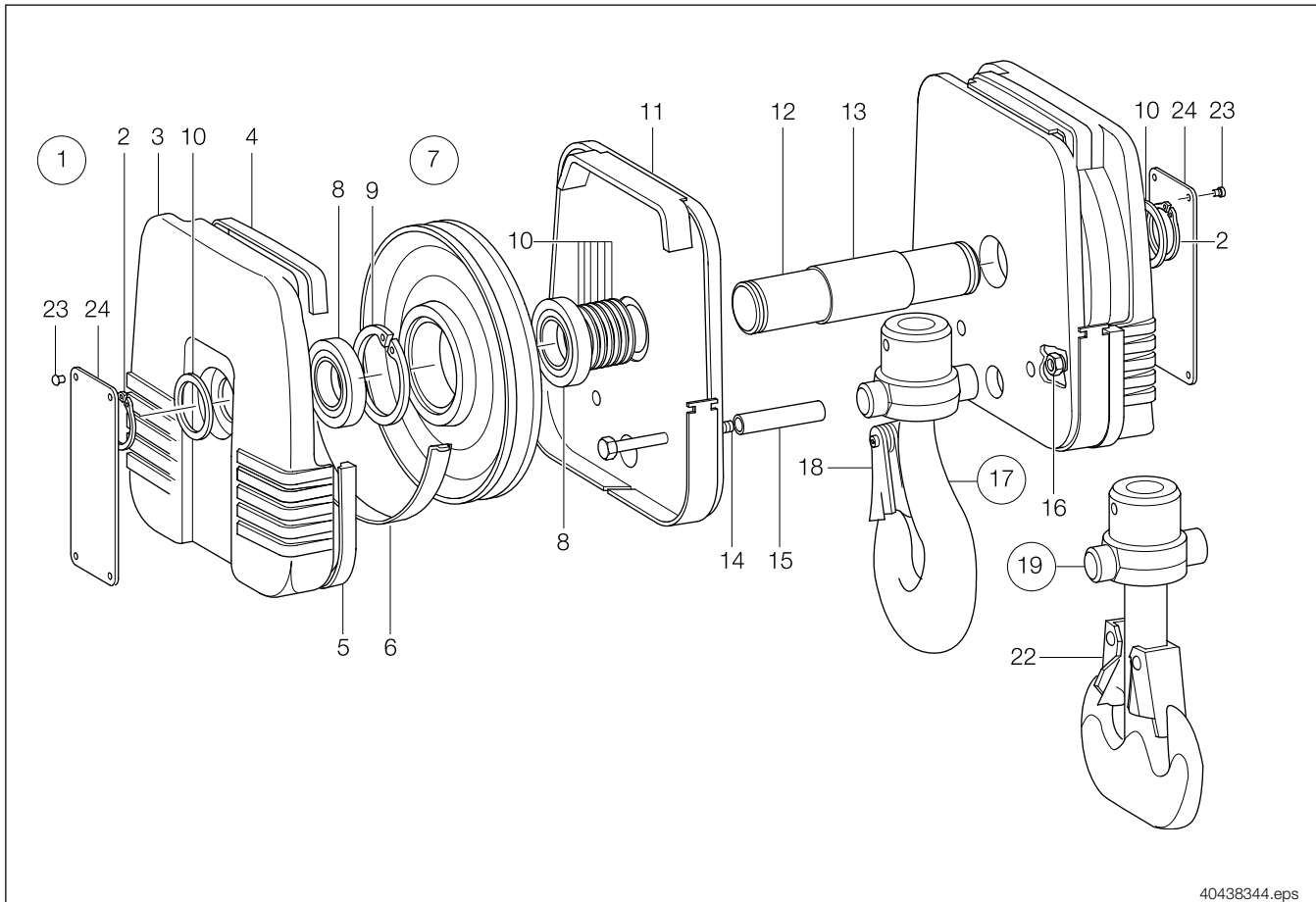
40445644.eps

Item no.	Part no.	Quantity	Designation	Material	Standard
1	82935044	1	BOTTOM BL.2SHV.450/20	C/W ITEMS 2 - 10, 13 - 19, 29, 30	
2	30023844	4	LOCK.SCR.M12X20 VB.RIPP		
3	34350999	2	SHIM 90X110X0,3	1)	
4	82992944	2	COVER DH 2000	ST2K50	DIN 988
5	34256899	2	RETAINING RING 90X3	FEDST IL	DIN 471
6	34147899	2	SHIM 90X110X1	ST2K50	DIN 988
7	82940744	4	COVER 440 DH 2000		
8	00460998	8	SET NUT		
9	82932944	4	DIST.RING 450 INNER		
10	82944644	2	ROPE SHV. 450 20,4 HARD	C/W ITEMS 11, 12	
11	36085299	2	GRV.BALL BRG6018 2Z	WLZ-ST	DIN 625
12	34267899	2	RETAINING RING 140X4	FEDST	DIN 472
13	82943944	4	TUBE 21,3X2,65X26		
14	82942944	2	DIST. RING 560 INNER		
15	82935644	2	LINK PL. 450 4/1 90/10		
16	30024644	4	LOCK.SCR M12X60 VB.RIPP		
17	82935744	1	DIST.SLEEVE 450 4/1		
18	82935844	1	PIN 90X509 GRV.		
19	34167299	1	SINGLE HOOK SIZE 5	C/W ITEMS 21 - 23	
20	34183199	1	HOOK SAFETY CATCH 10		DIN 15106
21	34167199	1	SINGLE HOOK GSN 10M.MU	C/W ITEM 20	
22	36406899	1	BALL THR. BRG.51218	WLZ-ST	DIN 711
23	59219144	1	SUSPEN.CROSSBAR SIZE 10		
24	34177299	1	DOUBLE HOOK SIZE 5	C/W ITEMS 22, 23, 25	
25	34177199	1	DOUBLE HOOK GSN 10M.MU	C/W ITEMS 28	
28	34188044	2	DBL.HOOK SAFE.CATCH8/10		
29	82940644	8	FLANGE 40X5X20 M 8		
30	31869099	16	CSK SCREW M 8X12	5.8 A2F	DIN- 964
31	34230144	8	SELF-TAP.SCREW CM 5X 10	ST-Z A2F	DIN 7500
32	82990644	1	SWL PLATE 12,5 T	DH 1032	
32	82990544	1	SWL PLATE 10 T	DH 1025	

22231119.tbl

1) Shim to compensate for tolerance.

280/14 bottom block
DH 1063, 1050, 1040
4/2 reeving



40438344.eps

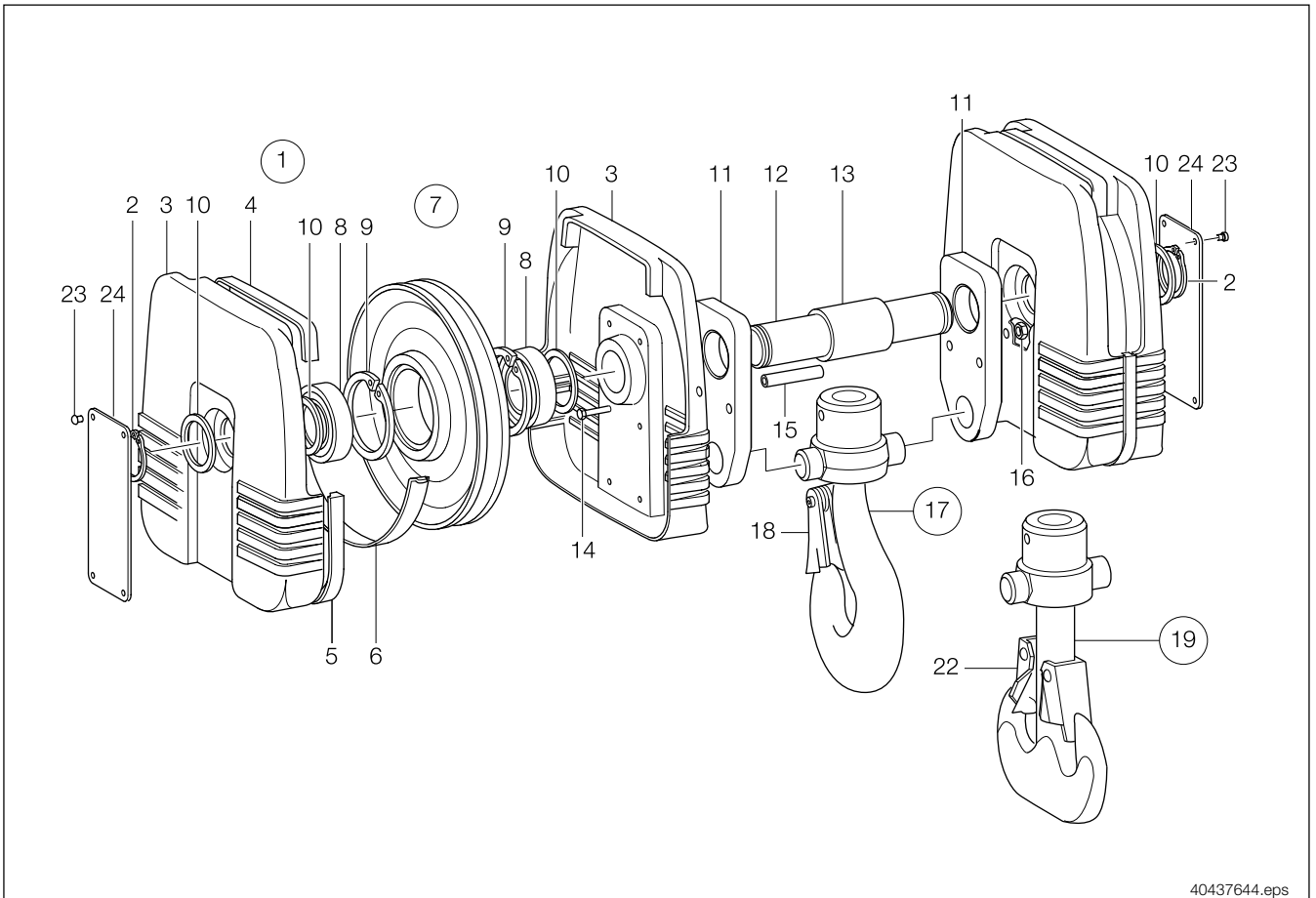
Item no.	Part no.	Quantity	Designation	Material	Standard
1	82937044	1	BOTTOM BL.2SHV.280/14	C/W ITEMS 2 - 7, 10 - 17	
2	34246699	2	RETAINING RING 55X3	FEDST !L	DIN 471
3	82920544	2	COVER 280-DH 500		
4	82920844	2	SEALING STRIP 280 TOP		
5	82923844	4	SEALING STRIP 280 BOTT.		
6	34147899	2	SHIM 90X110X1	ST2K50	DIN 988
7	82968244	2	ROPE SHV. 280 14 HARD	C/W ITEMS 8, 9	
8	36823199	2	GRV.BALL BRG6211 2Z	WLZ.ST	DIN 625
9	34267099	1	RETAINING RING 100X3	FEDST	DIN 472
10	34138199	14	SHIM 55X68X1	ST2K50	DIN 988
11	82937544	2	MOUNT.PL. 280/14		
12	82937244	1	PIN 55 H 8X263 GRV.		
13	82937344	1	DIST.SLEEVE 280 4/2-5		
14	15046999	2	HEX. SCREW M10 X140	8.8 A2F	ISO 4014
15	82932344	2	TUBE 17,2X2,35X101		
16	33461044	2	LOCK NUT V M10	8 A2F	DIN 980
17	34166699	1	SINGLE HOOK SIZE 5	C/W ITEM 18	
18	34182899	1	HOOK SAFETY CATCH 5		DIN 15106
19	34176699	1	DOUBLE HOOK SIZE 5	C/W ITEM 22	
22	34187744	2	DBL.HOOK SAFE.CATCH8/10		
23	34230144	8	SELF-TAP.SCREW CM 5X 10	ST-Z A2F	DIN 7500
24	82986244	2	SWL PLATE 12,5 T	DH 1063	
24	82986144	2	SWL PLATE 10 T	DH 1050	
24	82986644	2	SWL PLATE 8 T	DH 1040	

22231120.tbl

365/14 bottom block

DH 1032, 1025

4/2 reeving

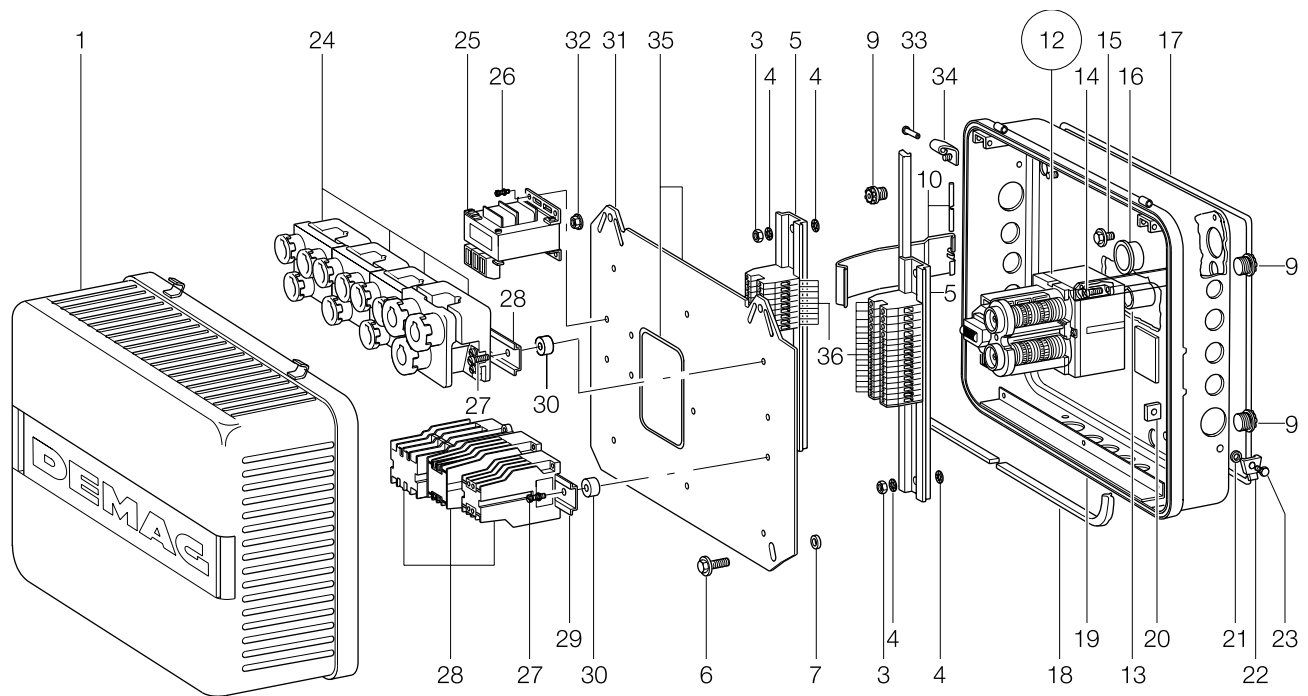


40437644.eps

Item no.	Part no.	Quantity	Designation	Material	Standard
1	82938044	1	BOTTOM BL.2SHV.365/14		
2	34246899	2	RETAINING RING 70X4	FEDST	DIN 471
3	82930544	2	COVER 365-DH1000		
4	82930844	2	SEALING STRIP 365 BOTT.		
5	82933844	4	SEALING STRIP 365 BOTT.		
6	82930644	2	GUIDE STIRRUP 365		
7	82967244	2	ROPE SHV. 365 14 HARD		
8	36067199	2	GRV.BALL BRG6014 2Z	WLZ-ST	DIN 625
9	34267299	1	RETAINING RING 110X4	FEDST	DIN 472
10	34137799	14	SHIM 70X90X1	ST2K50	DIN 988
11	82938244	2	LINK PL. 365 4/2 70/5		
12	82938944	1	PIN 70 H 8X 334 GRV.		
13	82938344	1	DIST.SLEEVE 365 4/2-5		
14	15047199	2	HEX. SCREW M10 X180	8.8 A2F	ISO 4014
15	82932344	2	TUBE 17,2X2,35X101		
16	33461044	2	LOCK NUT V M10	8 A2F	DIN 980
17	34166699	1	SINGLE HOOK SIZE 5		
18	34182899	1	HOOK SAFETY CATCH 5		DIN 15106
19	34176699	1	DOUBLE HOOK SIZE 5		
22	34187744	2	DBL.HOOK SAFE.CATCH8/10		
23	34230144	8	SELF-TAP.SCREW CM 5X 10	ST-Z A2F	DIN 7500
24	82989144	2	SWL PLATE 6,3 T		
24	82989644	2	SWL PLATE 5 T AL		

22231121.tbl

Electrical components



Electrical components

Item no.	Part no.	Quantity	Designation	Material	Standard
1	36030646	1	COVER DH1000		
3	33757199	4	HEXAGON NUT M6	8 A2F	ISO 4032
4	34368699	8	FAN TYPE WASHER I 6,4	FEDST A2F	DIN 6798
5	89509344	2	MOUNT.RAIL 35/7,5X400 M		
6	30020844	2	LOCK.SCR M 6X16 VB.RIPP		
7	34228144	2	SPEED FIX SFR5228 D5,5		
9	50453044	3	CABLE GLAND PG9 RD GE K		
10	82456244	2	RETAINING CLIP DH 1000		
12	87520044	1	GEARED LIM.SW. DGS3		C/W ITEM 13
12	87520144	1	GEARED LIM.SW. DGS4		C/W ITEM 13
13	87531844	1	COUPLING SLEEVE 30MM		
14	32472299	2	SELF-TAP.SCREW CM 5X20	ST-Z A2F	DIN 7500
15	30023844	4	LOCK.SCR.M12X20 VB.RIPP		
16	44998444	1	SLEEVE PG29 INSERT		
17	36051646	2,15m	SEALING RING 7		
18	36051846	2,28m	SEALING PROFILE 7/11X8		
19	36031246	1	EL.ENC.BASE DH1000		
20	98115244	2	SLIDING NUT M 6		1)
21	34087544	2	WASHER 6X10X2,5		1)
22	50441944	2	STRAIN RELIEF CLAMP		1)
23	30740399	2	HEX. SCREW M 6 X 12	8.8 A2F	ISO 4017
24			FUSE ELEMENT		2)
25			TRANSFORMER		2)
26	31892599		CHEESE HD. SCR M 4X8 Z3	4.8 DIN 84	DIN 6900
27	31895899		CHEESE HD. SCR. 5X22 Z4	4.8 DIN 84	DIN 6900
28			CONTACTOR		2)
29			MOUNTING RAIL		2)
30	89487444		WASHER 6,2X20X10		2)
31			MOUNTING PLATE		2)
32	30028244	2	LOCK NUT M 8 VB.RIPP 10		
33	37438299	2	RIVET B 8X1X45	CUZN33F37	DIN 7340
34	36030946	2	HINGE DH1000		
35	89502444	1m	EDGE PROTECT. STRIP 1,5		
36			TERMINAL CLIP		2)

22231122.tbl

- 1) Only for control from the crab
 2) Items 24 - 31, 36 depending on the application.

Mechanical microspeed unit FG 08

Item no.	Part no.	Quantity	Designation	Material	Standard
1			MOTOR KBA 80		
2	30023044	4	LOCK.SCR M10X30 VB.RIPP		
3	71522244	1	INTERM.FL. D06 160.2		
4	30021744	4	SAFETY SCRE M 8 X 20		
5	35425799	1	KEY B 6X6X20	C 45 K	DIN 6885
6	71820644	1	COUPLING HALF H 1N-19		
7	34251999	1	RETAINING RING 19X1,2	FEDST	DIN 471
8	71822144	1	ROLL.SPIDER COUPL.H1		
9	34252499	1	CIRCLIP 24 X 1,2	FEDST	DIN 471
10	71820744	1	COUPLING HALF H 1N-24		
11	37653099	1	SEALINGRING A 35X47X7	NBR !L	DIN 3760
14	71730444	1	GEARB. CASING FG08		
15	71636944	1	BUSH 24,8X 35 X11		
16	36824599	1	GRV.BALL BRG 6205 RS	WLZ-ST	DIN 625
17	35487499	1	KEY B 8X7X21	C 45 K	DIN- 6885
18	71736644	1	PINION SH.Z 37 M1,25 1		
19	36060299	1	GRV. BALL BRG 6302	WLZ-ST !L	DIN 625
20	36185399	1	CYL.RO.BRG.NJ 2203	WLZ-ST	DIN 5412
21	81371346	1	CLUSTER GEAR Z20/ 41		
22	36060399	1	GRV. BALL BRG 6303	WLZ-ST !L	DIN 625
23	36060599	1	GRV. BALL BRG 6305	WLZ-ST	DIN 625
24	81373646	1	CLUSTER GEAR Z22/ 56		
25	36123199	1	CYL.RO.BRG.NJ 305 E	WLZ-ST !L	DIN 5412
26	36045499	2	GRV. BALL BRG 16014	WLZ-ST	DIN 625
27	71735244	1	HOLLOW SHAFT		
28	34137799	1	SHIM 70X90X1	ST2K50	DIN 988
29	83034844	1	WASHER 70,5X90X4		
30	71734644	1	DISHED W. 70,6X90X2,5		
31	34143999	1	SHIM 90X110X0,1		
31	34350999	1	SHIM 90X110X0,3		
32	71730244	1	CASING SEAL	ST2K50	DIN 988
33	36637599	1	SEAL. RING AS 70X100X10	NBR !L	DIN- 3760
34	71784044	2	ADJUST. NUT FG08 W. PIN		
35	36714599	2	O-RING 5X2 B	NB 70	DIN 3770
36	31924699	4	HEX. SOCK. SCREW M 8X50	10.9	DIN 912
37	71730644	1	GEARBOX COV.FG08		
38	36707399	7	O-RING 10X2 B	NB 70	DIN 3770
39	31327599	6	SCREW PLUG M12X1,5	4.6	DIN 908
40	71731044	2	BEARING COVER SEAL FG08		
41	71731244	1	BEARG COVER FG08		
42	30023044	4	LOCK.SCR M10X30 VB.RIPP		
43	71733344	1	PLUG 108X15		
44	71531144	2	BUSH 10,5X16X12		
45	34311099	8	LOCK WASHER 10 A	FEDST	DIN 127
46	31926199	8	HEX.SOCK. SCREW M 10X60	10.9	DIN 912
47	31343544	1	VENT PLUG M 12X1,5		
47	00728898	1	AIR VENT VALVE AM12X1,5		
48			MOTOR KBH 140		
49	71786844	1	BR.SHAFTFG08KB140 GALV.		
50	30023044	4	LOCK.SCR M10X30 VB.RIPP		
51	71781844	1	COVER FG08/KB140		
55	60105044	1	INSPECTION WINDOW		
56	60104944	1	INSPECTION EYE		
58	31926299	4	HEX. SOCKET SCREW	10.9	DIN 912
59	34311099	4	LOCK WASHER 10 A	FEDST	DIN 127
61	36637599	2	SEAL. RING AS 70X100X10	NBR !L	DIN- 3760
70	71739844	1	BRAKE ADJUST. KEY FG08		

SEE PAGES 58 - 59

1)

1 : 10

1 : 10

1 : 10

1 : 10

2)

2)

3)
SEE PAGES 4 - 5

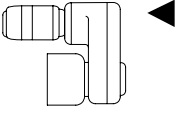
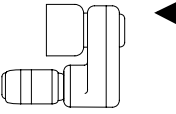
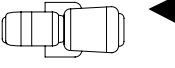
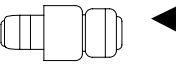
22231123.tbl

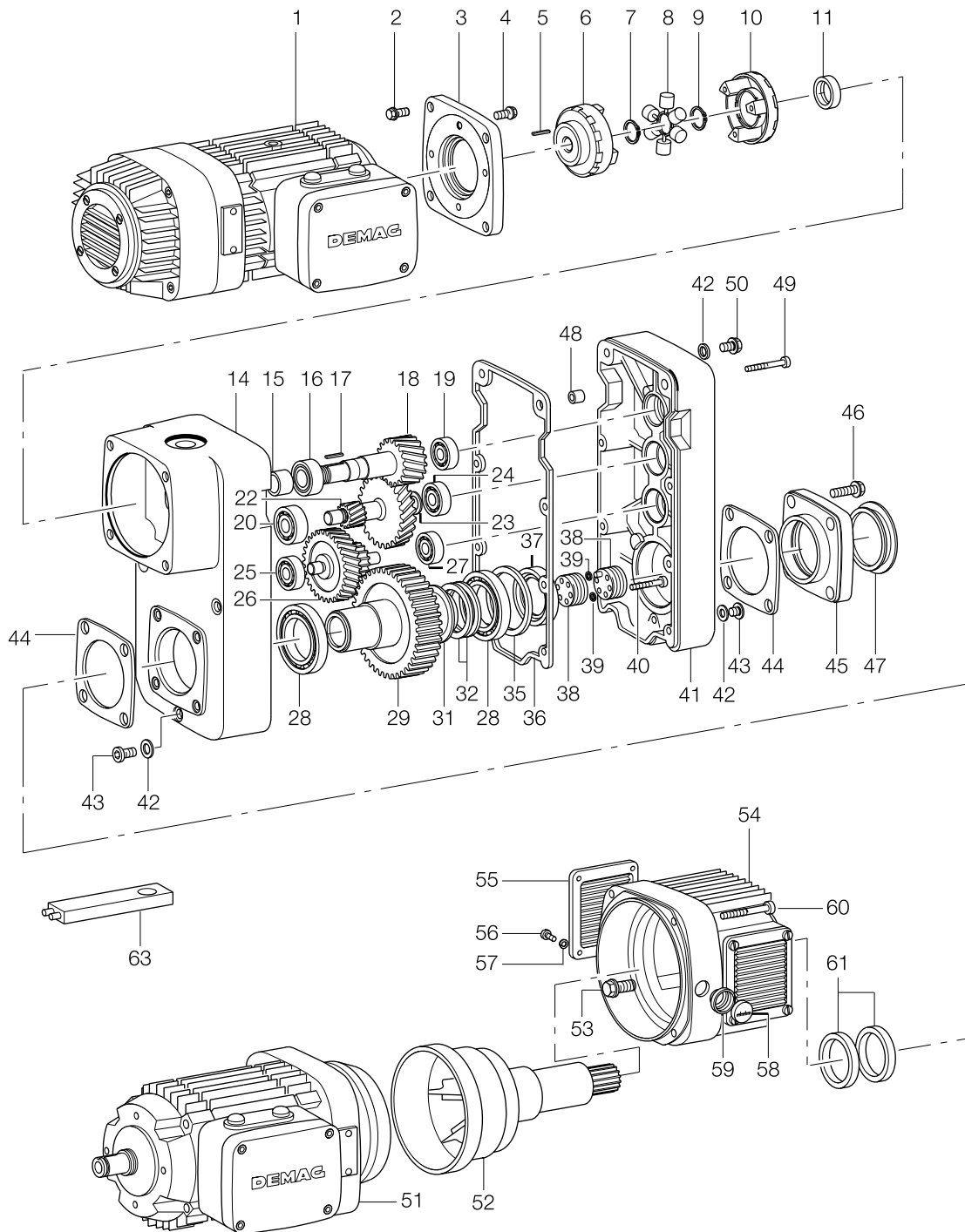
- 1) Bonded and sealed with Loctite 675.
- 2) Shim to compensate for tolerance. Dished washer (30) preset by 0,5 mm.
- 3) For service in arduous conditions.

Mechanical microspeed unit FG 10

Gear oil

◀ Ventilation at highest point of the gearbox

Basic form		Oil quantity in litres	Part no.
U0 	U2 	2	472 900 44 2,5 litres
U1 	U3 	1,5	



Mechanical microspeed unit FG 10

Item no.	Part no.	Quantity	Designation		Material	Standard
1			MOTOR KBA 90	SEE PAGE 60		
			MOTOR KBA 100	SEE PAGE 62		
2	30023044	4	LOCK.SCR M10X30 VB.RIPP			
3	71532244	1	INTERM.FL. D08 200.2	MOT. 90		
3	71532644	1	INTERM.FL. D08 200.4	MOT. 100 FOR H2		
4	30021744	4	SAFETY SCRE M 8 X 20	MOT. 90		
4	30023044	4	LOCK.SCR M10X30 VB.RIPP	MOT. 100		
5	35425799	1	KEY B 6X6X20	MOT. 90	C 45 K	DIN 6885
5	35457599	1	KEY B 8X7X32	MOT. 100	C 45 K	DIN 6885
6	71820744	1	COUPLING HALF H 1N-24	MOT. 90		
6	71830344	1	COUPLING HALF H 2N-24K	MOT. 100		
7	34252499	1	CIRCLIP 24 X 1,2		FEDST	DIN 471
8	71822144	1	ROLL.SPIDER COUPL.H1	MOT. 90		
8	71832144	1	ROLL.SPIDER COUPL.H2	MOT. 100		
9	34252499	1	CIRCLIP 24 X 1,2		FEDST	DIN 471
10	71820744	1	COUPLING HALF H 1N-24	MOT. 90		
10	71830444	1	COUPLING HALF H 2N-24	MOT. 100		
11	36676399	1	SEAL. RING A 35X 62X 7		NBR	DIN 3760
14	71740444	1	GEARB. CASING FG10			
15	71636844	1	TUBE 35X5X12	MOT. 90		
16	36844799	1	GRV.BALL BRG 6307 RS		WLZ-ST	DIN 625
17	35487499	1	KEY B 8X7X21	MOT. 90	C 45 K	DIN- 6885
17	35487699	1	KEY B 8X7X33	MOT. 100	C 45 K	DIN- 6885
18	71656644	1	PINION SHAFT Z 37 M2	1 : 10, MAIN HOIST MOT. 160		
18	71656844	1	PINION SHAFT Z 30 M2	1 : 15, MAIN HOIST MOT. 200		
19	36064499	1	GRV.BALL BRG6404		WLZ-ST	DIN 625
20	36143199	1	CYL.RO.BRG.NJ 306		WLZ-ST	DIN 5412
22	81376946	1	CLUSTER GEAR 1Z20/41	1 : 10, MAIN HOIST MOT. 160		
22	81346546	1	CLUSTER GEAR Z20/54	1 : 15, MAIN HOIST MOT. 200		
23	34349699	1	SUPPORT.RING 35X 45X2,5		FEDST	DIN 988
24	36060799	1	GRV.BALL BRG6307		WLZ-ST	DIN 625
25	36064799	1	GRV.BALL BRG6407		WLZ-ST	DIN 625
26	81378946	1	CLUSTER GEAR 2 Z20/57	1 : 10, MAIN HOIST MOT. 160		
26	81378546	1	CLUSTER GEAR 2 Z14/53	1 : 15, MAIN HOIST MOT. 200		
27	36147299	1	CYL.RO.BRG.NJ 308 E		WLZ-ST !L	DIN 5412
28	36046099	2	GRV.B. BRG 16020		WLZ-ST	DIN 625
29	71745244	1	HOLLOW SHAFT	MAIN HOIST MOT. 160		
29	71745344	1	HOLLOW SHAFT	MAIN HOIST MOT. 200		
31	71744644	1	DISH.WASHER 140X101X3,8			
32	34146999	2	SHIM 100X120X1		ST2K50	DIN 988
35	34153399		SHIM 120X150X0,1	1)	ST2K50	DIN 988
35	34153899		SHIM 120X150X0,3	1)	ST2K50	DIN 988
36	71740244	4	HOUSING SEAL FG10			
37	36691199	1	OIL SEAL		NBR-B+S	DIN 3760
38	71794044	2	ADJUST. NUT FG10 W. PIN			
39	36710199	2	O-RING 8X2 B		NB 70	DIN 3770
40	31927799	4	HEX.SOCK.SCR M12 X 70		10.9	DIN 912
41	71740644	1	GEARBOX COV.FG10			
42	36707499	7	O-RING 14 X 2,5 B		NB 70	DIN 3770
43	31340399	6	SCREW PLUG M16X1,5		4.6	DIN 908
44	71741044	2	BEARING COVER SEAL FG10			
45	71741244	1	BEARG COVER FG10			
46	30024844	4	LOCK.SCR.M16X35 VB.RIPP			
47	71743344	1	PLUG 145X25			
48	71651144	2	BUSH 14X20X15			
49	31928099	8	HEX.SOCK. SCREW M12X100		10.9	DIN 912
50	31342344	1	VENT PLUG M 16X1,5X12			
50	00728998	1	AIR VENT VALVE AM16X1,5	2)		
51			MOTOR KBH 160	SEE PAGE 6		
			MOTOR KBH 200	SEE PAGE 10		
52	71796644	1	BR.SHAFTFG10KB160 GALV.			
52	71796844	1	BR.SHAFTFG10KB200 GALV.			
53	30024844	4	LOCK.SCR.M16X35 VB.RIPP			
54	71791444	1	COVER FG10/KB160			
54	71791844	1	COVER FG10/KB200			
55	71790444	2	LOUVER FG10-KB160/180			
55	71790644	2	LOUVER FG10-KB200/225			
56	32905899	8	CHEESE HD. SCREW M 6X12		4.8 A2F	DIN 84
57	34380699	8	LOCK WASHER 6 A		FEDST A2F	DIN 127
58	60105044	1	INSPECTION WINDOW			
59	60104944	1	INSPECTION EYE			
60	31926299	4	HEX. SOCKET SCREW	MAIN HOIST MOT. 160	10.9	DIN 912
60	31927899	4	CHEESE HD.SCREW M12 X80	MAIN HOIST MOT. 200	10.9	DIN 912
61	36691199	2	OIL SEAL		NBR-B+S	DIN 3760
63	71749844	1	BRAKE ADJUST. KEY FG10			

22231124.tbl

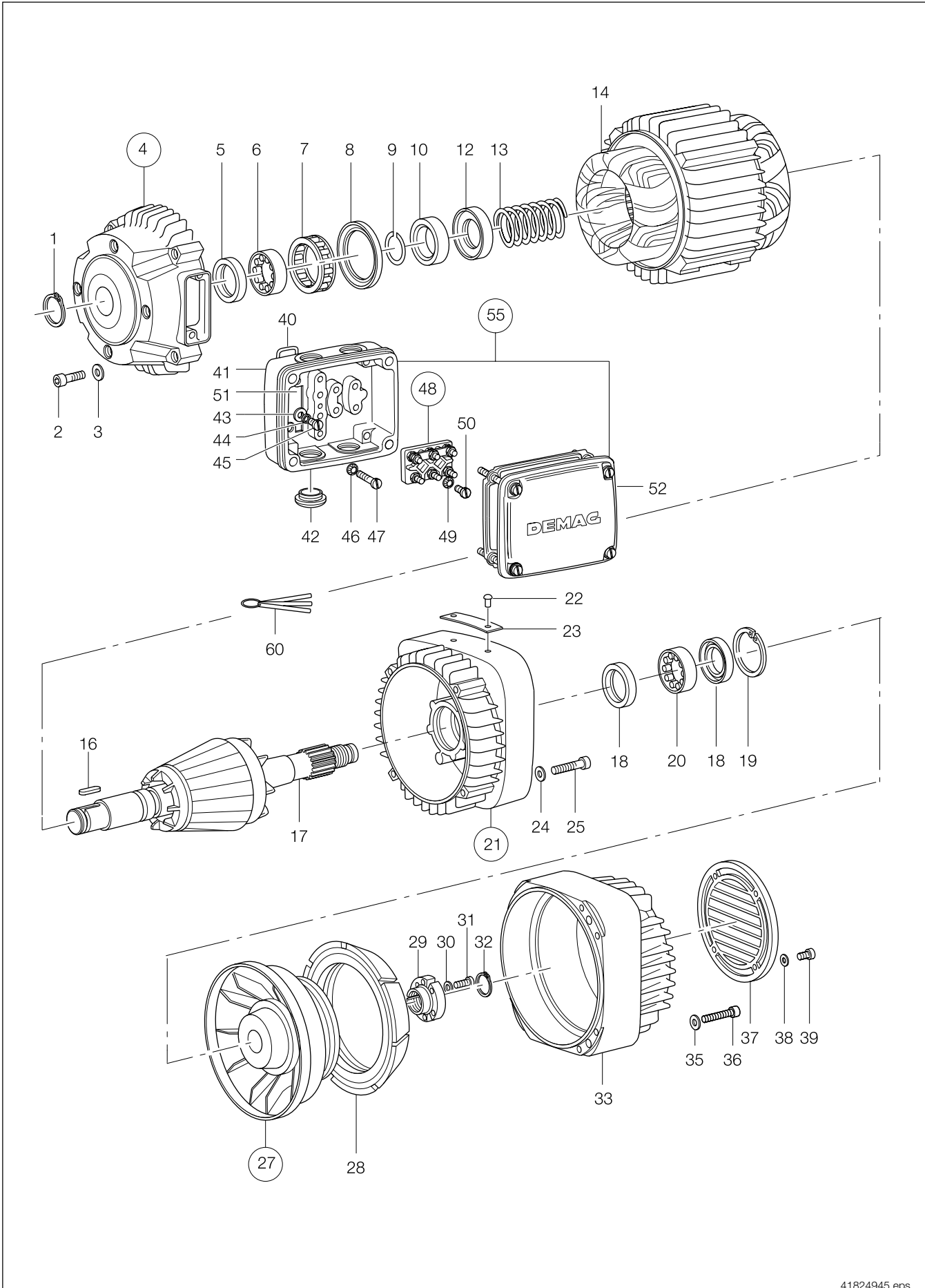
222312k4.p65/0700

- 1) Shim to compensate for tolerance. Dished washer (30) preset by 0,5 mm.
- 2) For service in arduous conditions.

Creep hoist motor KBA 80 B4

Part no.
055 178 84

Motor KBA 80 B4, 230/400 V, c/w items 1 - 4, 9, 10, 12 - 17, 21 - 27, 29 - 39, 55



Creep hoist motor KBA 80 B4

Item no.	Part no.	Quantity	Designation	Material	Standard
1	34251999	1	RETAINING RING 19X1,2	FEDST	DIN 471
2	31922899	4	HEX. SOCK. SCREW M 6X25	10.9	DIN 912
3	00465598	4	LOCK WASHER S 6		
4	05960384	1	DRIVE END STATOR CAP		C/W ITEMS 5 - 8
5	61764444	1	SEAL. RING 22,9X40X5		
6	36525399	1	CYL.RO.BRG.RNU 203 TN9		F = 22,9 MM
7	36400699	1	BALL THR. BRG.51106	W LZ-ST	DIN 711
8	05980184	1	SEAL. RING 37 X47,5X5		
9	37412344	1	SPRING RING 22,9X1,3		
10	05980884	1	THR. RINGS KB 80 SET		1)
12	05982284	1	DISH. WASH.PACK KB 80		
13	05977984	1	SPR. 3,4 X29,0X67 YEGN		300 N
14	05618284	1	STATOR KBA 80B 4 AB		230/400 V, 50 ID 1)
16	35425799	1	KEY B 6X6X20	C 45 K	DIN 6885
17	05932784	1	ROTOR FOR GEARBOX		1)
18	61764444	2	SEAL. RING 22,9X40X5		
19	34264099	1	RETAINING RING 40X1,75	FEDST	DIN 472
20	36525399	1	CYL.RO.BRG.RNU 203 TN9	W LZ-ST	DIN- 5412
21	05960684	1	BRAKE END CAP, CPL.		C/W ITEMS 18 - 20
22	35041399	2	GROOVED PIN A 2,6X6	ST A2F	ISO- 8747
23	05481784	1	RAT.PLATE KB BLANK AL		LEFT BLANK
24	00465598	4	LOCK WASHER S 6		
25	31923699	4	HEX.SOCK SCREW M6X45	10.9	DIN 912
27	05979184	1	CON. BR. DISC LIGHT 532		C/W ITEMS 28
28	05978684	1	CONICAL BRAKE LINING		FORM A
29	05971484	1	LOCK NUT		
30	00465498	4	LOCK WASHER 5		
31	31917999	4	HEX.SOCK.SCR M 5X20	10.9	DIN 912
32	34251599	1	RETAINING RING 15X1	FEDST	DIN 471
33	05970184	1	BRAKE CAP CHROM.PLATE		
33	05970384	1	BRAKE CAP CHROM.PLATE		2)
35	00465598	4	LOCK WASHER S 6		
36	31923699	4	HEX.SOCK SCREW M6X45	10.9	DIN 912
37	05971984	1	LOUVER		
38	00465498	4	LOCK WASHER 5		
39	31814399	4	CHEESE HD. SCREW M 5X10	4.8 A2F	DIN 84
40	05480684	1	O-RING 46X2,5 MM 150		
41	05495484	1	TERM. BOX BASE KB 71-90		
42	00723898	4	THREADED PLUG PG16 D		
43	34050599	1	WASHER 5,3	140HV A2F	DIN 125
44	00465498	1	LOCK WASHER 5		
45	31814399	1	CHEESE HD. SCREW M 5X10	4.8 A2F	DIN 84
46	00465498	2	LOCK WASHER 5		
47	31818199	2	CHEESE HD SCREW M 5X30	4.8 A2F	DIN 84
48	05492284	1	TERMINAL PLATE, CPL.		C/W ITEMS 49, 50
49	00465498	2	LOCK WASHER 5		
50	32529299	2	SELF-TAP. SCREW BM 5X16	C 15 A2F	DIN 7513
51	05490984	1	KABEL ENTRY SLEEVE		
52	05494684	1	TERMINAL BOX COVER KB		
55	03612884	1	TERMINAL BOX COMPLETE		C/W ITEMS 41, 52
60	10015084	3	FEELER GAUGE SET		3)

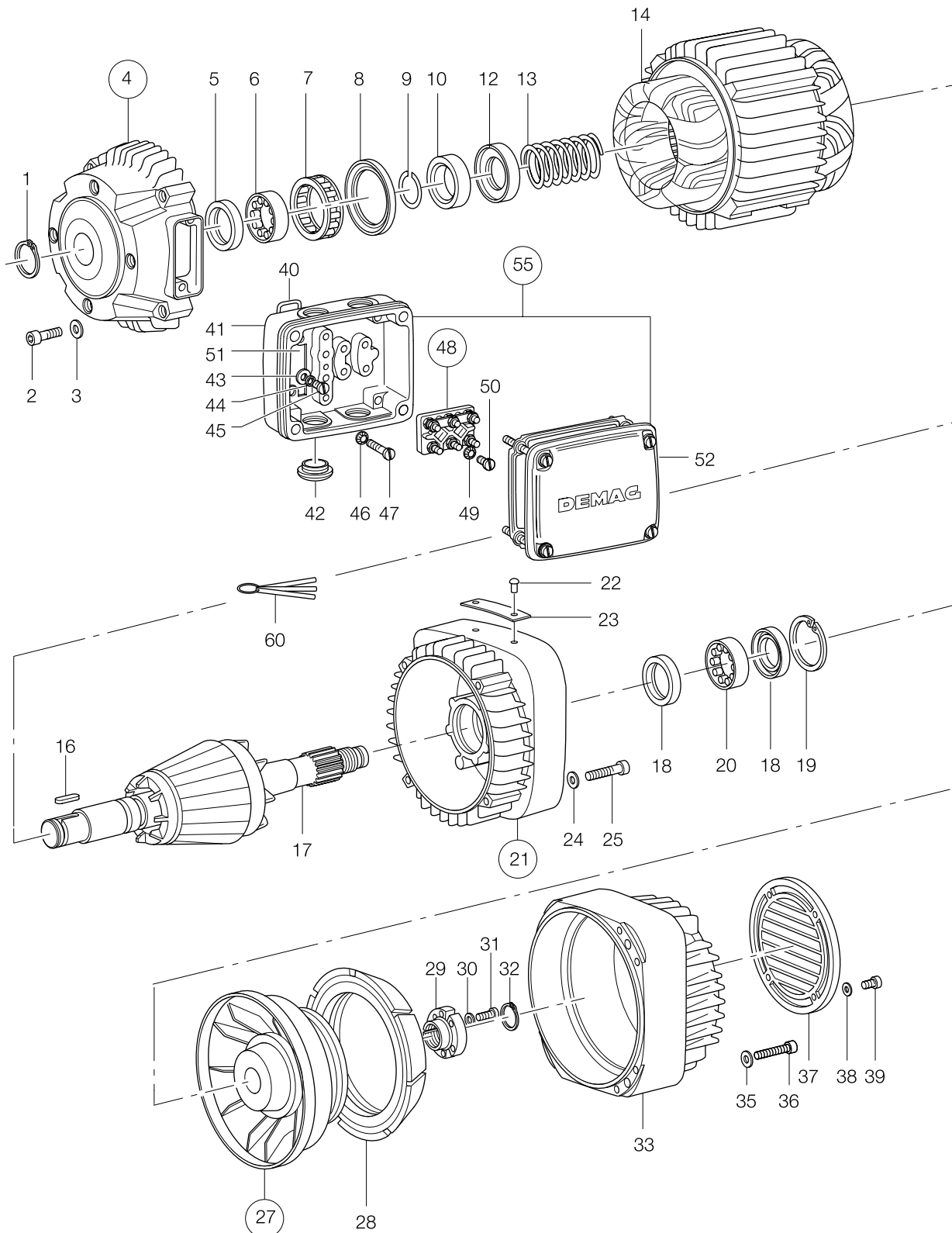
22230124.tbl

- 1) When ordering a rotor or stator a set of thrust rings (item 10) must be ordered additionally for adjusting the air gap (0,25 mm with feeler gauge set item 60).
- 2) For service in arduous conditions, galvanized brake surface.
- 3) Required air gap between stator bore and rotor 0,25 mm.

Creep hoist motor KBA 90 B4

Motor KBA 90 B4, 230/400 V, c/w items 1 - 4, 9, 10, 12 - 17, 21 - 27, 29 - 39, 55

Part no.
060 171 84



Creep hoist motor KBA 90 B4

Item no.	Part no.	Quantity	Designation	Material	Standard
1	34252499	1	CIRCLIP 24 X 1,2	FEDST	DIN 471
2	31922999	4	HEX.SOCK. SCREW M6 X 30	10.9	DIN 912
3	00465598	4	LOCK WASHER S 6		
4	06460384	1	DRIVE END STATOR CAP		C/W ITEMS 5 - 8
5	06480384	1	SEAL. RING 27 X 47 X6		
6	36520499	1	CYL.RO.BRG. RNU 204		F = 27 MM
7	36400799	1	BALL THR. BRG.51107	WLZ-ST	DIN- 5412
8	06480184	1	SEAL. RING 42 X52,5X5	WLZ-ST	DIN 711
9	06481584	1	SPRING RING 27,0X1,3		
10	06480884	1	THR. RINGS KB 90 SET		1)
12	06482284	1	DISH. WASH.PACK KB 90		
13	06477884	1	SPR. 4,4X33X56 YERD		440 N
14	06118384	1	STATOR 230/400 V 50 AB		230/400 V, 50 ID 1)
16	35457199	1	KEY B 8X7X20		
17	06432684	1	ROTOR, COUPLING		1)
18	06480384	2	SEAL. RING 27 X 47 X6		
19	34264799	1	RETAINING RING 47X1,75		
20	36520499	1	CYL.RO.BRG. RNU 204		F = 27 MM
21	06460684	1	BRAKE END CAP, CPL.		C/W ITEMS 18 - 20
22	35041399	2	GROOVED PIN A 2,6X6	ST A2F	ISO- 8747
23	05481784	1	RAT.PLATE KB BLANK AL		LEFT BLANK
24	00465598	4	LOCK WASHER S 6		
25	31923699	4	HEX.SOCK SCREW M6X45	10.9	DIN 912
27	06479184	1	CON. BR. DISC LIGHT 532		C/W ITEMS 28
28	06478684	1	CONICAL BRAKE LINING		FORM A
29	06471484	1	LOCK NUT		
30	00465598	4	LOCK WASHER S 6		
31	31922799	4	HEX.SOCK.SCR M 6X20	10.9	DIN 912
32	34251799	1	RETAINING RING 17X1	FEDST	DIN 471
33	06470184	1	BRAKE CAP CHROM.PLATE		
33	06470384	1	BRAKE CAP CHROM.PLATE		2)
34	00465598	4	LOCK WASHER S 6		
35	31923699	4	HEX.SOCK SCREW M6X45	10.9	DIN 912
36	06471984	1	LOUVER		
37	00465598	4	LOCK WASHER S 6		
38	31818599	4	CHEESEHD SCREW 6X 10	4.8 A2F	DIN 84
40	05480684	1	O-RING 46X2,5 MM 150		
41	05495484	1	TERM. BOX BASE KB 71-90		
42	00723898	4	THREADED PLUG PG16 D		
43	34050599	1	WASHER 5,3	140HV A2F	DIN 125
44	00465498	1	LOCK WASHER 5		
45	31814399	1	CHEESE HD. SCREW M 5X10	4.8 A2F	DIN 84
46	00465498	2	LOCK WASHER 5		
47	31818199	2	CHEESE HD SCREW M 5X30	4.8 A2F	DIN 84
48	05492284	1	TERMINAL PLATE, CPL.		C/W ITEMS 49, 50
49	00465498	2	LOCK WASHER 5		
50	32529299	2	SELF-TAP. SCREW BM 5X16	C 15 A2F	DIN 7513
51	05490984	1	KABEL ENTRY SLEEVE		
52	05494684	1	TERMINAL BOX COVER KB		
55	03612884	1	TERMINAL BOX COMPLETE		C/W ITEMS 41, 52
60	10015184	3	FEELER GAUGE SET		3)

22231125.tbl

1) When ordering a rotor or stator a set of thrust rings (item 10) must be ordered additionally for adjusting the air gap (0,25 mm with feeler gauge set item 60).

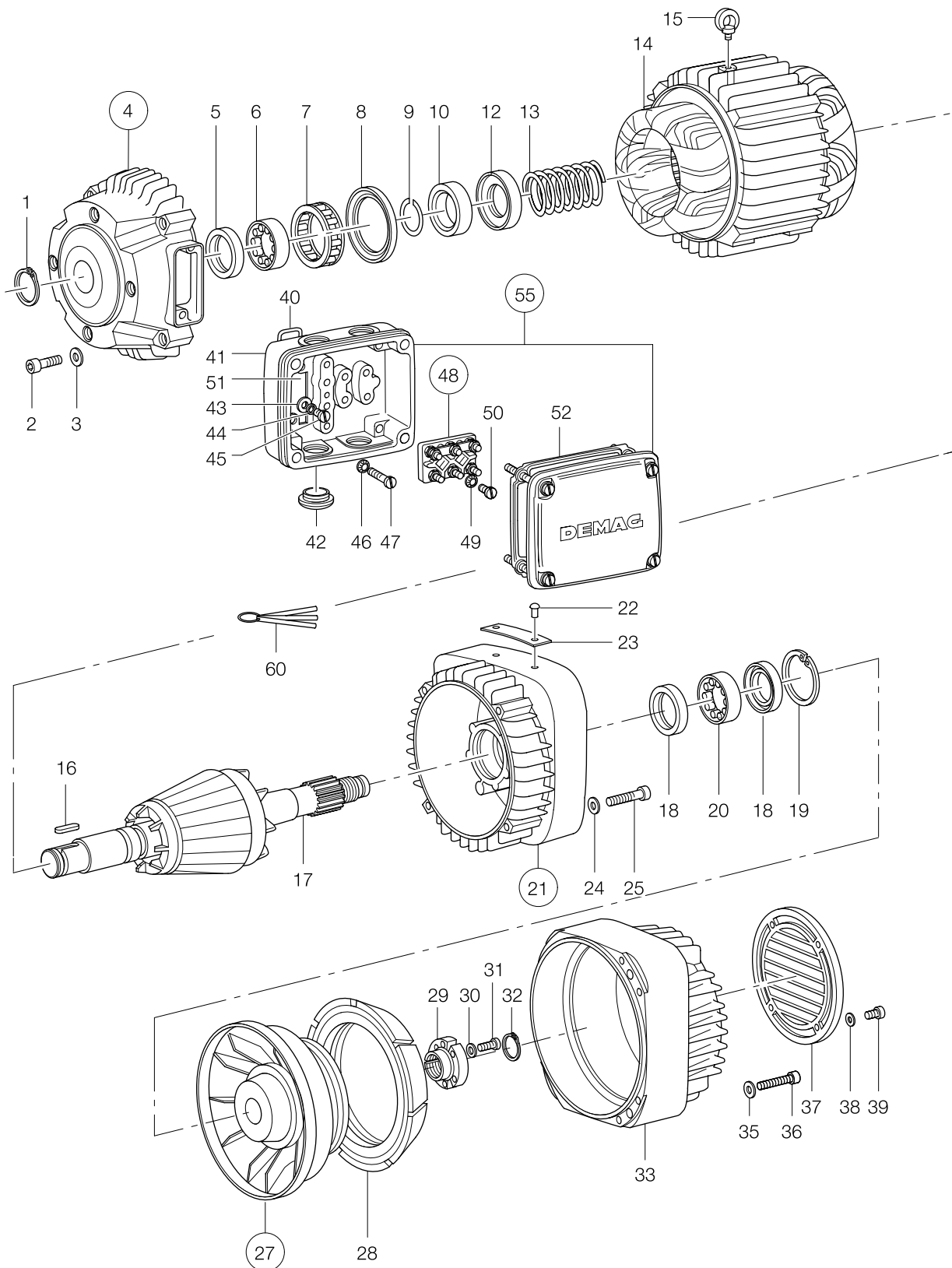
2) For service in arduous conditions, galvanized brake surface.

3) Required air gap between stator bore and rotor 0,25 mm.

Creep hoist motor KBA 100 B4

Motor KBA 100 B4, 230/400 V, c/w items 1 - 4, 9, 10, 12 - 14, 16, 17, 21 - 27, 29 - 38, 55

Part no.
065 162 84



Creep hoist motor KBA 100 B4

Item no.	Part no.	Quantity	Designation	Material	Standard
1	34252499	1	CIRCLIP 24 X 1,2	FEDST	DIN 471
2	31923099	4	HEXSOCK SCREW M 6 X 35	10.9	DIN 912
3	00465598	4	LOCK WASHER S 6		
4	06960384	1	DRIVE END STATOR CAP		C/W ITEMS 5 - 8
5	06983384	1	SEAL. RING 32 X 52 X6		
6	36520599	1	CYL.RO.BRG.RNU 205	F = 32 MM	WLZ-ST DIN- 5412
7	36400899	1	BALL THR. BRG.51108		WLZ-ST DIN 711
8	06983284	1	SEAL. RING 50 X60,5X5		
9	06981584	1	SPRING RING 32,0X1,3		
10	06980884	1	THR. RINGS KB 100 SET		1)
12	06982284	1	DISH. WASH.PACK KB 100		
13	06977684	1	SPRING 5X38X75 YEBL	663 N	
14	06617484	1	STATOR 230/400 V 50 AB		C/W ITEMS 15, 230/400 V, 50 HZ 1)
15	31350099	1	EYE BOLT M 8	C 15	DIN 580
16	35457199	1	KEY B 8X7X20	C 45 K	DIN 6885
17	06932984	1	ROTOR FOR GEARBOX		1)
18	06983384	2	SEAL. RING 32 X 52 X6		
19	34265199	1	RETAINING RING 52X2	FEDST	DIN 472
20	36520599	1	CYL.RO.BRG.RNU 205	F = 32 MM	WLZ-ST DIN- 5412
21	06960684	1	BRAKE END CAP, KB 100		C/W ITEMS 18 - 20
22	35041399	2	GROOVED PIN A 2,6X6	ST A2F	ISO- 8747
23	06982984	1	RAT.PLATE KB BLANK AL		LEFT BLANK
24	00465598	4	LOCK WASHER S 6		
25	31923799	4	HEXSOCK SCREW M6X55	10.9	DIN 912
27	06979184	1	CON. BR. DISC LIGHT 532		C/W ITEM 28
28	06978684	1	CONICAL BRAKE LINING		
29	06971484	1	ADJUST. NUT KB 100		
30	00465598	4	LOCK WASHER S 6		
31	31922799	4	HEX.SOCK.SCR M 6X20	10.9	DIN 912
32	34260299	1	RETAINING RING 21X1,2	FEDST	DIN 471
33	06970184	1	BRAKE CAP, CHROM. PLATE		
33	06970384	1	BRAKE CAP, CHROM. PLATE		2)
34	00465598	4	LOCK WASHER S 6		
35	31923799	4	HEXSOCK SCREW M6X55	10.9	DIN 912
36	06971984	1	LOUVER KB 100		
37	00465598	4	LOCK WASHER S 6		
38	32905899	4	CHEESE HD. SCREW M 6X12	4.8 A2F	DIN 84
40	06980684	1	O-RING 58X2,5 MM 187		
41	06998184	1	TER.BOX BASE KB 100-125		
42	00723998	4	THREADED PLUG PG21 D		
43	34065399	1	WASHER 6,4	140HV A2F	DIN 125
44	00465598	1	LOCK WASHER S 6		
45	32905899	1	CHEESE HD. SCREW M 6X12	4.8 A2F	DIN 84
46	00465598	2	LOCK WASHER S 6		
47	32098899	2	CHEESE HD. SCREW M 6X35	4.8 A2F	DIN 84
48	06992284	1	TERMINAL PLATE, CPL.		C/W ITEMS 49, 50
49	00465498	2	LOCK WASHER 5		
50	32529299	2	SELF-TAP. SCREW BM 5X16	C 15 A2F	DIN 7513
51	06990984	1	KABEL ENTRY SLEEVE		
52	06997484	1	TER.BOX COVER KB100-125		
55	06998584	1	TERMINAL BOX KB100-125		C/W ITEMS 41, 52
60	10015184	3	FEELER GAUGE SET		3)

22231126.tbl

1) When ordering a rotor or stator a set of thrust rings (item 10) must be ordered additionally for adjusting the air gap (0,30 mm with feeler gauge set item 60).

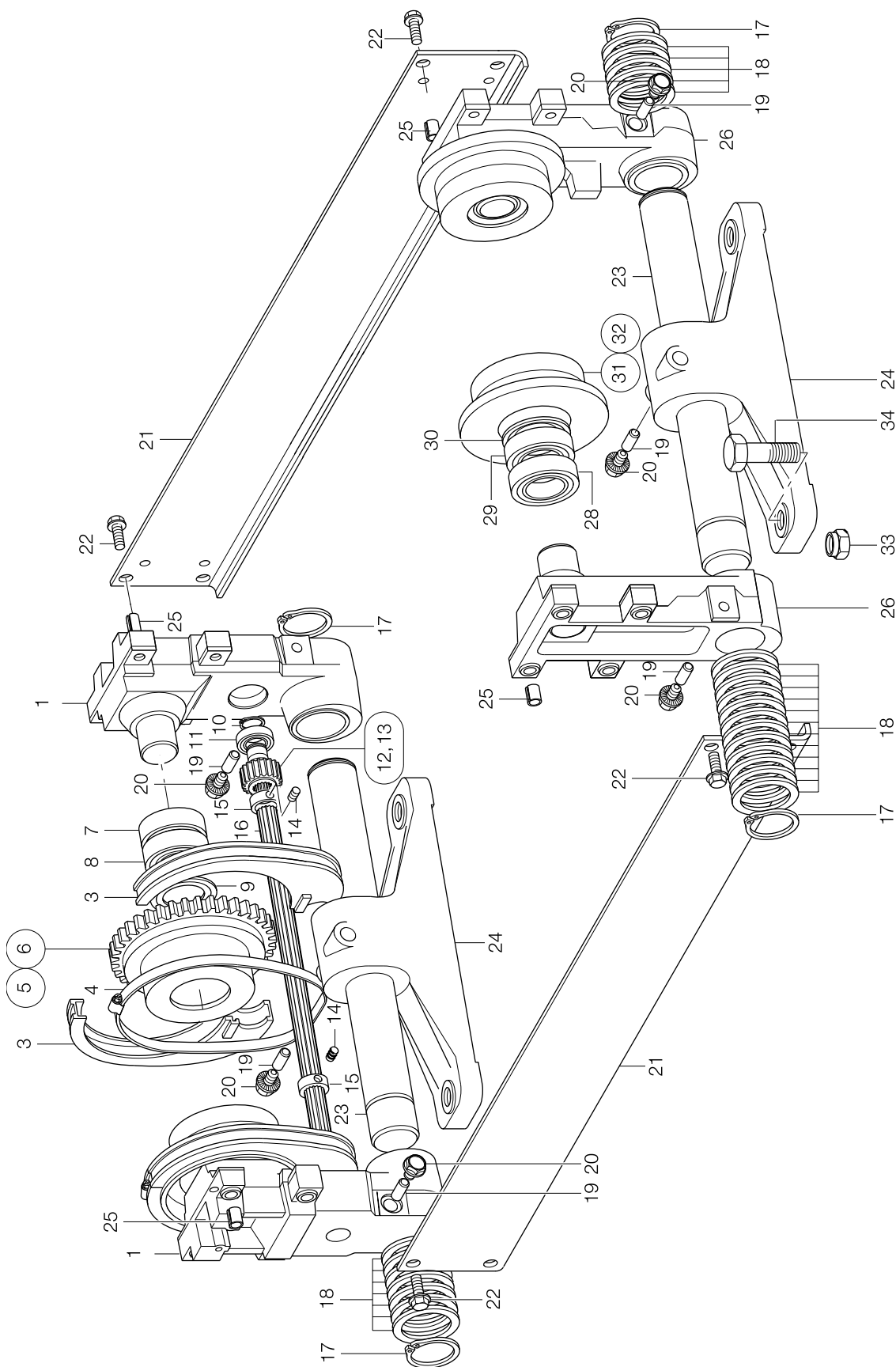
2) For service in arduous conditions, galvanized brake surface.

3) Required air gap between stator bore and rotor 0,30 mm.

EUDH 1000 standard-headroom monorail trolley

Trolley size 10

2/1 and 4/2 reeving - H 16 - H 24 - H 40



EUDH 1000 standard-headroom monorail trolley

Trolley size 10

2/1 and 4/2 reeving - H 16 - H 24 - H 40

Item no.	Part no.	Quantity	Designation		Material	Standard
1	83131444	2	LEG DR. A WITH PIN			
3	83038144	4	PROT.COV.TROLLEY SIZE10	1)		
4	59569544	2	SECURING STRAP UP/KP 6T			
5	83093444	2	CYL.TRV.WH.160 1 W. T.	C/W ITEMS 7, 8, 9		
6	83093344	2	GEARED TRAVEL WHEEL	C/W ITEMS 7, 8, 9		
7	36821199	1	GRV.BALL BRG6211 Z		WLZ-ST	DIN 625
8	36126199	1	CYL.RO.BRG.NJ 211		WLZ-ST !L	DIN 5412
9	30016244	1	BRG SEAL. RING 6211 IV			
10	34253599	1	RETAINING RING 35X1,5		FEDST	DIN 471
11	36816799	1	GRV. BALL BRG 6007 2RS		WLZ-ST !L	DIN 625
13	83123044	2	PINION BEARING 62/N30	C/W ITEMS 10, 11 AMK20, AUK30		
14	32538599	2	THREADED PIN M 10X12		45H MK	DIN- 914
15	83122944	2	ADJ. RING B 30/50X18	AMK20, AUK30		
16	83116244	1	DRIVE SHAFT W 30X560	FL.W. 149 - 225 MM, AMK20, AUK30		
16	83116344	1	DRIVE SHAFT W 30X650	FL.W. 226 - 315 MM, AMK20, AUK30		
17	34256099	4	RETAINING RING 70X2,5		FEDST !L	DIN 471
18	83034844	48	WASHER 70,5X90X4	FL.W. 149 - 225 MM		
18	83034844	50	WASHER 70,5X90X4	FL.W. 226 - 305 MM		
19	83024944	6	TAPERED LOCKING PIN 14			
20	34232144	6	LOCK.SCR.M16X25 VB.RIPP			
21	83035744	2	SIDE PLA.DH1000-H16			
21	83035844	2	SIDE PLA.DH1000-H24			
21	83035944	8	SIDE PLA.DH1000-H40			
22	30024144	8	LOCK.SCR. M12X35VB.RIPP			
23	83037944	2	PIN 70 H11X 530 GRV.	FL.W. 149 - 225 MM		
23	83038044	2	PIN 70 H11X 610 GRV.	FL.W. 226 - 305 MM		
24	83038444	2	CROSSBAR UDH1000 2/1			
25	34547399	8	SPLIT SLEEVE 16 X 18		ST	ISO 13337
26	83132444	2	LEG NON-DR. WITH PIN			
28	36821199	1	GRV.BALL BRG6211 Z		WLZ-ST	DIN 625
29	36126199	1	CYL.RO.BRG.NJ 211		WLZ-ST !L	DIN 5412
30	30016244	1	BRG SEAL. RING 6211 IV			
31	83094344	2	PLAIN TRAVEL WHEEL	C/W ITEMS 28 - 30		
32	83094444	2	CYL.TRV.WH.160 1 W/O T.	C/W ITEMS 28 - 30		
33	30018644	4	SET NUT M24			
34	30813999	4	HEX. SCREW M 24X70		8.8 A2F	ISO 4017 22231127.tbl

1) Lubrication 210 g, part no. 472 915 44 (400 g).

EUDH 1000 standard-headroom monorail trolley

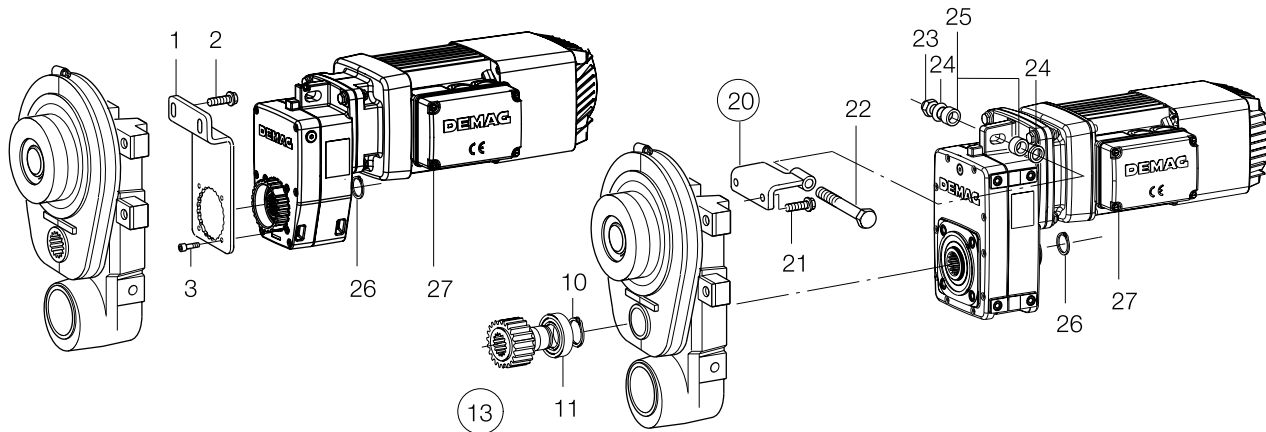
Trolley size 10

Travel drives AMK 20/AUK 30

2/1 and 4/2 reeving - H 16 - H 24 - H 40

AMK 20

AUK 30



Component parts of travel drives see:

Page 60 (AMK 20)

Page 68 (AUK 30)

42039445.eps

Item no.	Part no.	Quantity	Designation	Material	Standard
1	83120944	1	TORQUE BRACKET SIZE6-10 A20	AMK 20	
2	30022744	2	LOCK.SCR.M10X20 VB.RIPP	AMK 20	
3	31923999	4	CH.HEAD SCREW M 8 X 18	AMK 20	
10	34253599	1	RETAINING RING 35X1,5	FEDST	DIN- 912
11	36816799	1	GRV. BALL BRG 6007 2RS	WLZ-ST IL	DIN 471
13	83123044	1	PINION BEARING 62/N30		DIN 625
20	83127544	1	TORQUE BRA. AUK30/EUDH	C/W ITEMS 10, 11	
21	30022744	2	LOCK.SCR.M10X20 VB.RIPP	AUK 30, C/W ITEMS 21 - 25	
22	15049499	1	HEX. SCREW M12 X100	AUK 30	
23	33461244	1	LOCK NUT V M12	AUK 30	8.8 A2F ISO 4014
24	16062399	2	WASHER 13X35X5	AUK 30	8 A2F DIN 980
25	81120444	2	SPRING ELEMENT 13X35X12	AUK 30	C 35 H DIN 6340
26	32162999	1	CIRCLIP	AMK 20/AUK 30	FEDST DIN 983
27			TRAVEL SPEED 12,5 m/min, 3,1/12,5 m/min		
27	84510046	1	DRIVE AMK20DD M0 30 25,3	DH 1032, 1025, ZBF 63 A 8/2 B004	
27	84510546	1	DRIVE AMK20DD M0 30 25,3	DH 1050, 1040, ZBF 71 A 8/2 B004	
27	84511046	1	DRIVE AMK20DD M0 30 25,3	DH 1063, ZBF 80 A 8/2 B020	
27			TRAVEL SPEED 20 m/min, 5/20 m/min		
27	84511146	1	DRIVE AMK20DD M0 30 16,4	DH 1040, 1032, 1025, ZBF 80 A 8/2 B020	
27	84515346	1	DRIVE AUK30DDB14 30 15,7	DH 1063, 1050, ZBF 90 A 8/2 B020	
27			TRAVEL SPEED 31,5 m/min, 8/31,5 m/min		
27	84511246	1	DRIVE AMK20DD M0 30 9,9	DH 1025, ZBF 80 A 8/2 B020	
27	84515246	1	DRIVE AUK30DDB14 30 10,1	DH 1040, 1032, ZBF 90 B 8/2 B050	
27	84516046	1	DRIVE AUK30DDB14 30 10,1	DH 1063, 1050, ZBF 100 A 8/2 B050	
27			TRAVEL SPEED 40 m/min, 10/40 m/min		
27	84515146	1	DRIVE AUK30 I7,8	DH 1032, 1025, ZBF 90 B 8/2 B050	
27	84515946	1	DRIVE AUK30 I7,8	DH 1050, 1040, ZBF 100 A 8/2 B050	
27	84515146	2	DRIVE AUK30 I7,8	DH 1063, ZBF 90 B 8/2 B050	

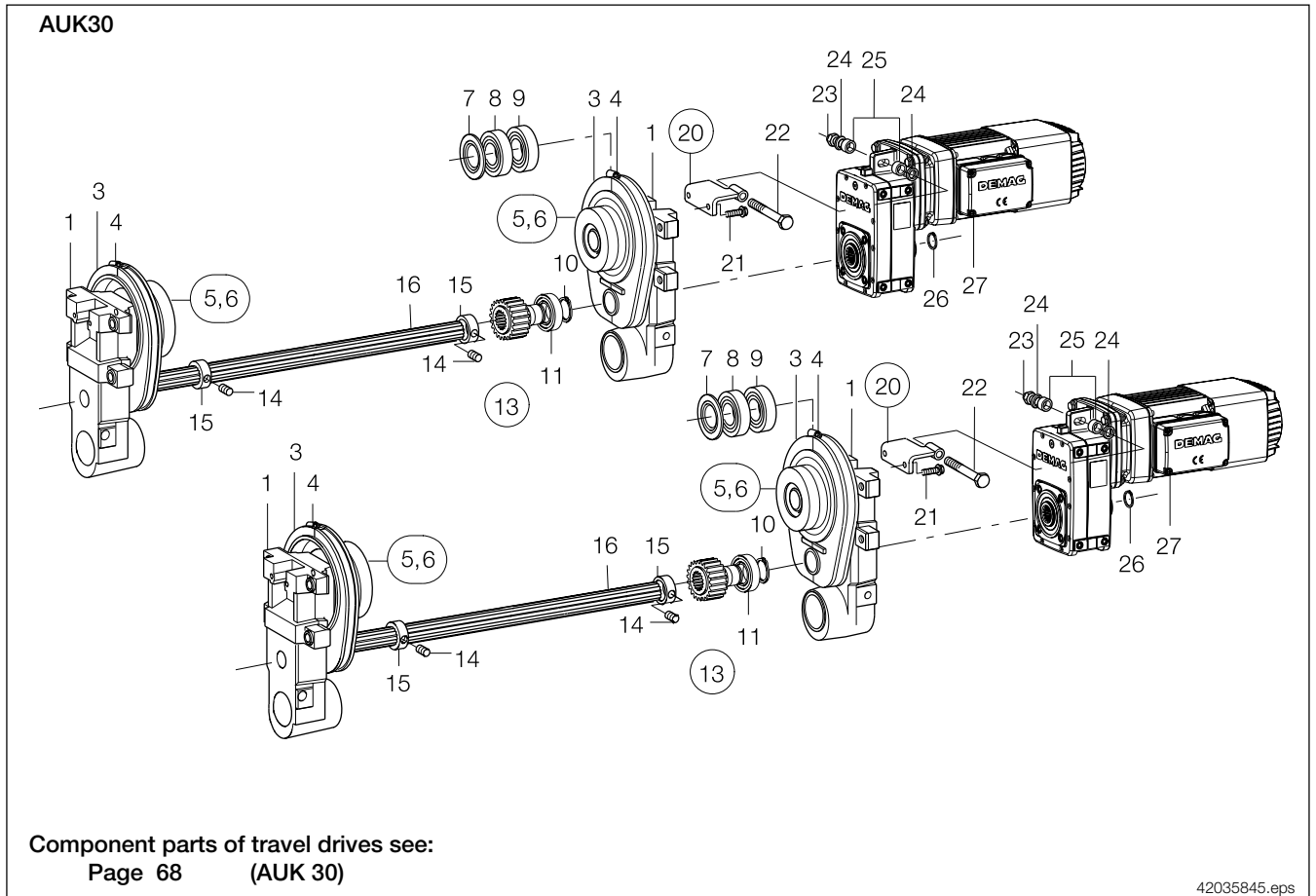
22231128.tbl

1) Only the 2-pole winding is connected for a single travel speed.

EUDH 1063 standard-headroom monorail trolley

Trolley size 10 with two travel drives AUK30

2/1 and 4/2 reeving - H 16 - H 24 - H 40



Item no.	Part no.	Quantity	Designation	Material	Standard
1	83131444	4	LEG DR. A WITH PIN		
3	83038144	8	PROT.COV.TROLLEY SIZE10		1)
4	59569544	4	SECURING STRAP UP/KP 6T		
5	83093444	4	CYL.TRV.WH.160 1 W. T.		C/W ITEMS 7, 8, 9
6	83093344	4	GEARED TRAVEL WHEEL		C/W ITEMS 7, 8, 9
7	30016244	1	BRG SEAL. RING 6211 IV		
8	36126199	1	CYL.RO.BRG.NJ 211	WLZ-ST !L	DIN 5412
9	36821199	1	GRV.BALL BRG6211 Z	WLZ-ST	DIN 625
10	34253599	2	RETAINING RING 35X1,5	FEDST	DIN 471
11	36816799	2	GRV. BALL BRG 6007 2RS	WLZ-ST !L	DIN 625
13	83123044	4	PINION BEARING 62/N30		C/W ITEMS 10, 11
14	32538599	4	THREADED PIN M 10X12	45H MK	DIN- 914
15	83122944	4	ADJ. RING B 30/50X18		
16	83116244	2	DRIVE SHAFT W 30X560	FL.W. 149 - 225 MM	
16	83116344	2	DRIVE SHAFT W 30X650	FL.W. 226 - 315 MM	
20	83127544	2	TORQUE BRA. AUK30/EUDH	C/W ITEMS 21 - 25	
21	30022744	4	LOCK.SCR.M10X20 VB.RIPP		
22	15049499	2	HEX. SCREW M12 X100	8.8 A2F	ISO 4014
23	33461244	1	LOCK NUT V M12	8 A2F	DIN 980
24	16062399	2	WASHER 13X35X5	C 35 H	DIN 6340
25	81120444	1	SPRING ELEMENT 13X35X12		
26	32162999	2	CIRCLIP	FEDST	DIN 983
27	84515146	2	TRAVEL SPEED 40 m/min, 10/40 m/min DRIVE AUK30 I7,8		2) DH 1063, ZBF 90 B 8/2 B050

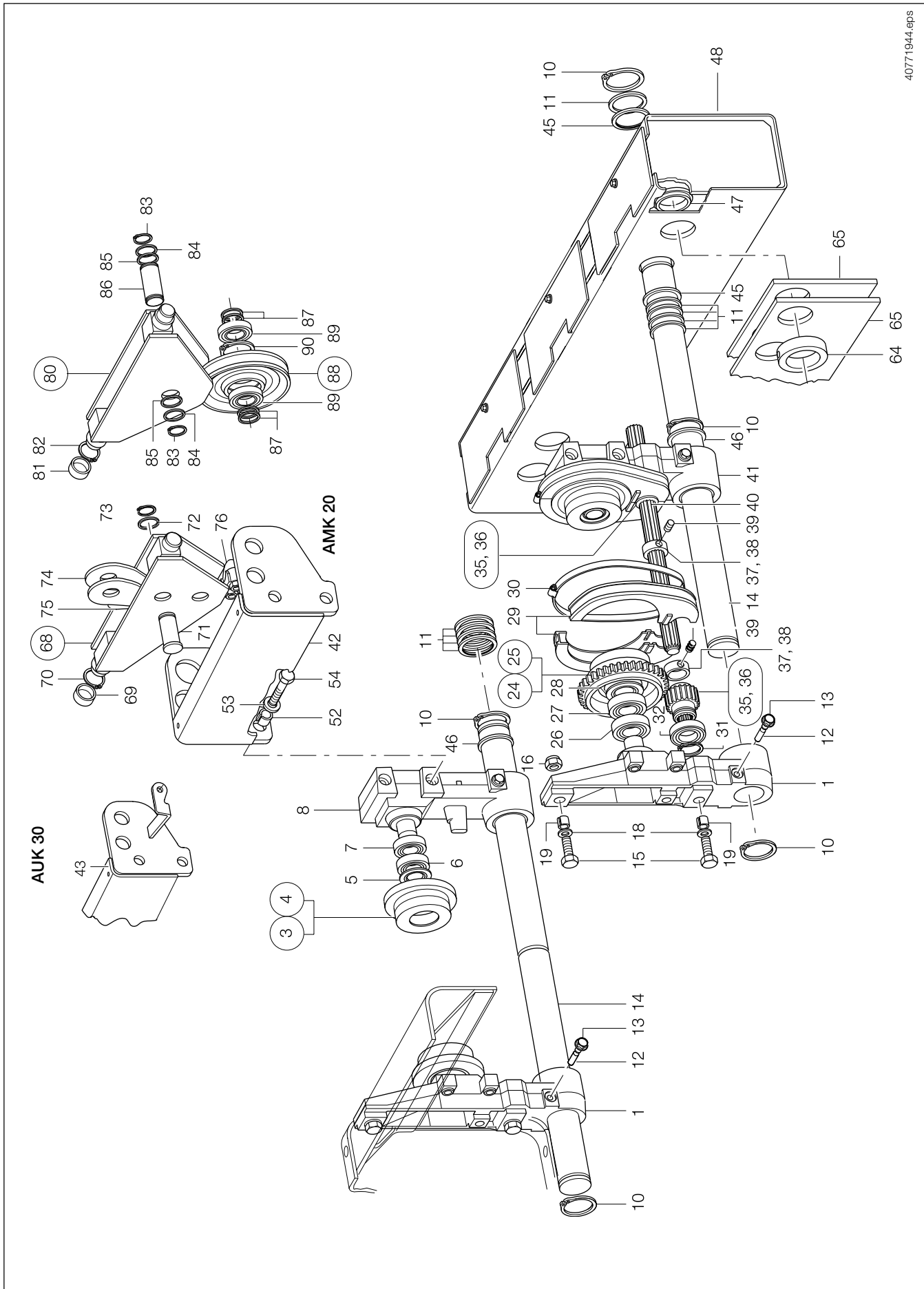
22231129.tbl

1) Lubrication 210 g, part no. 472 915 44 (400 g).
2) Only the 2-pole winding is connected for a single travel speed.

EKDH 1000 low-headroom monorail hoist

Trolley size 10

2/1 and 4/2 reeving - H 16 - H 24 - H 40



40771944.eps

EKDH 1000 low-headroom monorail hoist

Trolley size 10

2/1 and 4/2 reeving - H 16 - H 24 - H 40

Item no.	Part no.	Quantity	Designation	Material	Standard
1	83182944	2	LEG DR. WITH PIN		
3	83094444	2	CYL.TRV.WH.160 1 W/O T.	C/W ITEMS 5 - 7	
4	83094344	2	PLAIN TRAVEL WHEEL	C/W ITEMS 5 - 7	
5	30016244	1	BRG SEAL. RING 6211 IV		
6	36126199	1	CYL.RO.BRG.NJ 211	WLZ-ST !L	DIN 5412
7	36821199	1	GRV.BALL BRG6211 Z	WLZ-ST	DIN 625
8	83180944	1	LEG NON-DR. WITH PIN		
10	34256299	8	RETAINING RING 75X2,5	FEDST	DIN 471
11	83084844	56	WASHER 75,5X95X4	FL.W. 110 - 135 MM	
11	83084844	56	WASHER 75,5X95X4	FL.W. 136 - 215 MM	
11	83084844	48	WASHER 75,5X95X4	FL.W. 216 - 305 MM	
11	83084844	60	WASHER 75,5X95X4	FL.W. 306 - 420 MM	
12	83024944	4	TAPERED LOCKING PIN 14		
13	34232144	4	LOCK.SCR.M16X25 VB.RIPP		
14	83085444	2	PIN 75 H 11X1130 GRV.	FL.W. 110 - 135 MM	
14	83085444	2	PIN 75 H 11X1130 GRV.	FL.W. 136 - 215 MM	
14	83085544	2	PIN 75 H 11X1220 GRV.	FL.W. 216 - 305 MM	
14	83085744	2	PIN 75 H 11X1335 GRV.	FL.W. 306 - 420 MM	
15	30956299	4	HEX. SCREW M 20X75	8.8 A2F	ISO 4014
16	33461644	2	LOCK NUT V M20	8 A2F	DIN 980
18	31621999	4	WASHER 21X37X4	C 45A2E HV	DIN 6916
19	34550199	4	SPLIT SLEEVE 25 X 28	ST	ISO 13337
24	83093444	2	CYL.TRV.WH.160 1 W. T.	C/W ITEMS 26 - 28	
25	83093344	2	GEARED TRAVEL WHEEL	C/W ITEMS 26 - 28	
26	36821199	1	GRV.BALL BRG6211 Z	WLZ-ST	DIN 625
27	36126199	1	CYL.RO.BRG.NJ 211	WLZ-ST !L	DIN 5412
28	30016244	1	BRG SEAL. RING 6211 IV		
29	83038144	4	PROT.COV.TROLLEY SIZE10	1)	
30	59569544	2	SECURING STRAP UP/KP 6T		
31	34253599	1	RETAINING RING 35X1,5	FEDST	DIN 471
32	36816799	1	GRV. BALL BRG 6007 2RS	WLZ-ST !L	DIN 625
36	83123044	1	PINION BEARING 62/N30	C/W ITEMS 31, 32), AMK20, AUK30	
38	83122944	2	ADJ. RING B 30/50X18	AMK20, AUK30	
39	32538599	2	THREADED PIN M 10X12	45H MK	DIN- 914
40	83116144	1	DRIVE SHAFT W 30X480	FL.W. 110 - 135 MM, AMK20, AUK30	
40	83116244	1	DRIVE SHAFT W 30X560	FL.W. 136 - 215 MM, AMK20, AUK30	
40	83116344	1	DRIVE SHAFT W 30X650	FL.W. 216 - 305 MM, AMK20, AUK30	
40	83116444	1	DRIVE SHAFT W 30X765	FL.W. 306 - 420 MM, AMK20, AUK30	
41	83191944	1	LEG DR. A WITH PIN		
42	83188944	1	CONNEC. PLATE DH1000H16	AMK20	
42	83189044	1	CONNEC. PLATE DH1000H24	AMK20	
42	83189144	1	CONN. PLATE KDH 1000-H40	AMK20	
43	83189244	1	CONNEC. PLATE DH1000H16	AUK30	
43	83189344	1	CONNEC. PLATE DH1000H24	AUK30	
43	83189444	1	CONN. PLATE KDH 1000-H40	AUK30	
45	34149299	6	SUPPORT.RING 75X 95X3,5	FEDST	DIN 988
46	83084844	2	WASHER 75,5X95X4	AS REQUIRED	
47	83076444	4	COVER, CWB 76		
48	83186044	1	COUNTERW.BOX KDH1000	H 16, H 24	
48	83186644	1	COUNTERW.BOX KDH1000H40		
52	34578999	4	SPLIT SLEEVE 28 X 36	ST	ISO 13337
53	31622199	4	WASHER 23 X 39 X4	C 45A2B HV	DIN 6916
54	31615599	4	HEXAGON SCREW M 22X70	10.9 HV	DIN 6914
64	34685999	2	ADJ. RING A 75/110X22	ST	DIN 705
65	83186244	2	COUNTERWEIGHT EKDH1000	H 16, H 24	

22231132.tbl

Rope retaining crosshead for 2/1 reeving see page 56 and Compensating sheave 4/2 reeving see page 57.

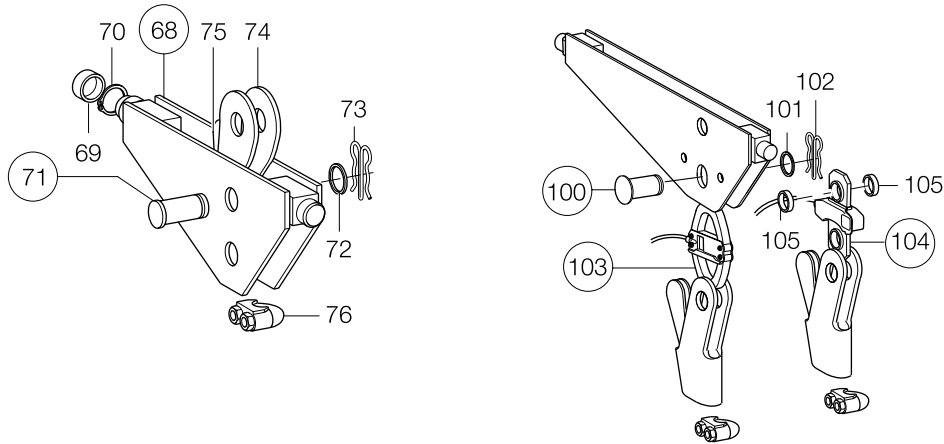
1) Lubrication 210 g, part no. 472 915 44 (400 g).

EKDH 1000 low-headroom monorail hoist

Trolley size 10

Rope retaining crosshead

2/1 reeving - H 16 - H 24 - H 40



42035445.eps

Item no.	Part no.	Quantity	Designation	Material	Standard
68	82891744	1	ROPE RET.CRS.DH1000-H16	C/W ITEMS 69 - 74 1)	
68	82891844	1	ROPE RET.CRS.DH1000-H24	C/W ITEMS 69 - 74 1)	
68	82891944	1	ROPE RET.CRS.DH1000-H40	C/W ITEMS 69 - 74 1)	
69	82890544	1	BUSH 42,5X 59,5X26	1)	
70	34255599	1	RETAINING RING 60X2		FEDST !L DIN 471
71	82458044	1	PIN + SPRING CLIP SET	C/W ITEMS 72, 73 2)	
72	34349799	1	SUPPORT. RING 40X50X2,5		FEDST DIN 988
73	34307044	1	PLUG,DFED 4 X 83		
74	58032844	1	ROPE SOCK. F 16 -20		
75	58000444	1	R. WEDGE F 20		
76	60079444	1	ROPE CLAMP 20,0-25,0M20		
100	82458044	1	PIN + SPRING CLIP SET	C/W ITEMS 72, 73 1)	
101	34349799	1	SUPPORT. RING 40X50X2,5		FEDST DIN 988
102	34307044	1	PLUG,DFED 4 X 83		
103	49160744	1	MGS UNIT 6,25	DH 1063, C/W ITEM 100	
103	49159444	1	MGS UNIT 5,0 T	DH 1050, C/W ITEM 100	
103	49169444	1	MGS UNIT 4,0	DH 1040, C/W ITEM 100	
103	49179444	1	MGS UNIT 3,15 T	DH 1032, C/W ITEM 100	
103	49189444	1	MGS UNIT 2,5 T	DH 1025, C/W ITEM 100	
104	49160244	1	STRAIN GAUGE LINK W.CBL	C/W ITEMS 100, 105	
105	34205944	1	RING 43 X 50 X11,5		

22231133.tbl

1) The bearings of the rope retaining crosshead and setpins of the rope socket must be lubricated with a suitable adhesive grease. When ordering, a tube of Staburags NBU 12 K must also be ordered. Part no. 472 933 44 (100 g).

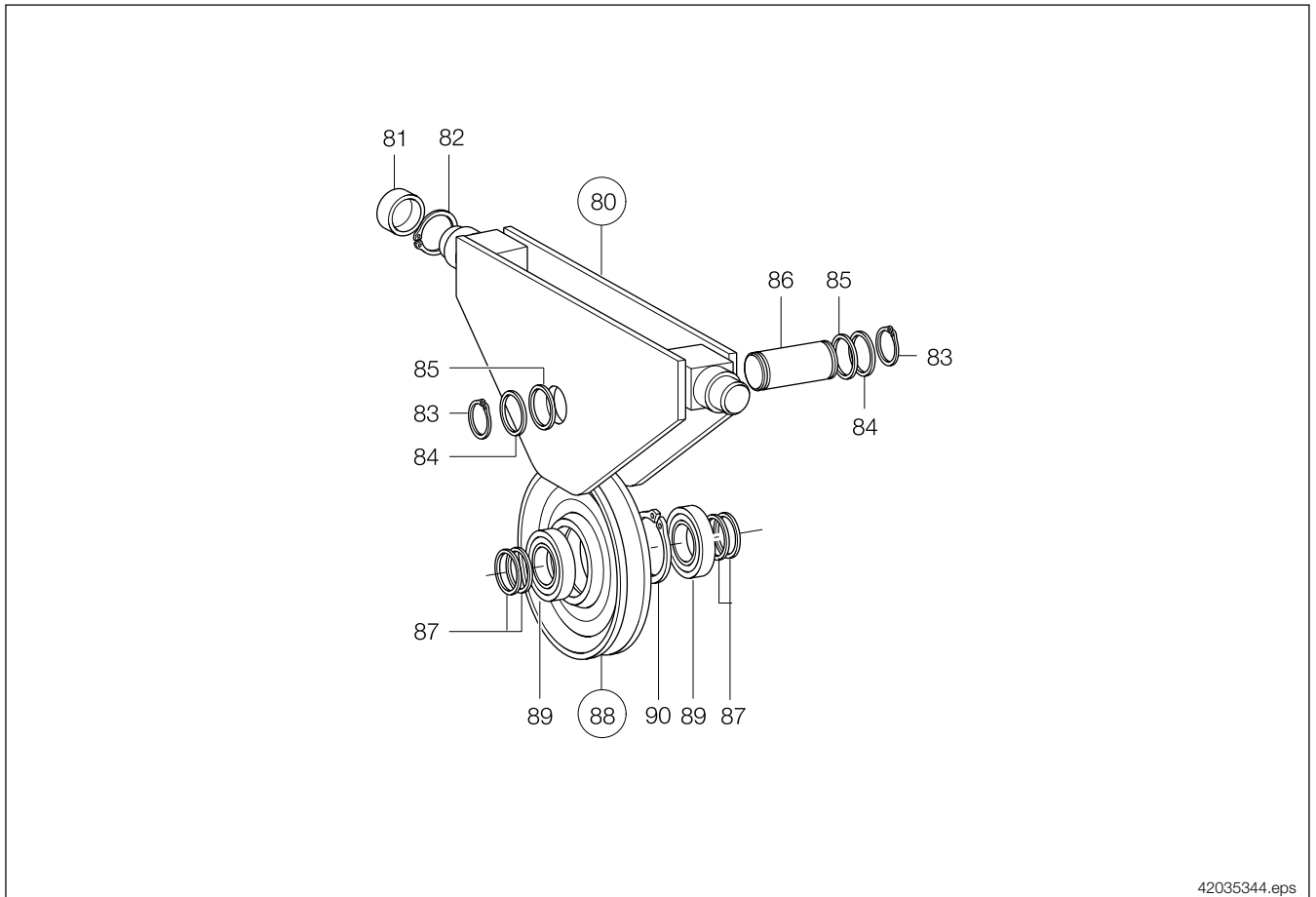
2) Check during maintenance. Check play of setpin/pin in the bore hole of the rope retaining crosshead plate (max. wear in the plate 1 mm). The bearings must be lubricated with a suitable adhesive grease. Part no. 472 933 44.

EKDH 1000 low-headroom monorail hoist

Trolley size 10

Compensating sheave 225/14

4/2 reeving - H 16 - H 24 - H 40



42035344.eps

Item no.	Part no.	Quantity	Designation	Material	Standard
80	82897044	1	COMPENSATING SHEAVE 225/14 H16	C/W ITEMS 81 - 88 1)	
80	82897244	1	COMPENSATING SHEAVE 225/14 H24	C/W ITEMS 81 - 83, 85 - 88 1)	
80	82897444	1	COMPENSATING SHEAVE 225/14 H40	C/W ITEMS 81 - 83, 85 - 88 1)	
81	82890544	1	BUSH 42,5X 59,5X26	1)	
82	34255599	1	RETAINING RING 60X2	FEDST IL	DIN 471
83	34247499	2	CIRCLIP VST45,0X2,5SD	FEDST	DIN 471
84	34139699	2	SUPPORT. RING 45X55X3	H 16	DIN 988
85	34144699	2	SHIM 45X55X1	H 16	DIN 988
85	34144699	4	SHIM 45X55X1	H 24	DIN 988
86	82910944	1	PIN 45 H 8X 98 GRV.		
87	34139699	4	SUPPORT. RING 45X55X3	FEDST	DIN 988
88	82839044	1	ROPE SHEAVE 225 14 KG	C/W ITEMS 89, 90	
89	36822999	2	GRV. BALL BRG 6209 2Z	WLZ-ST	DIN 625
90	34266699	1	RETAINING RING 85X3	FEDST	DIN 472
					22231134.tbl

1) The bearings of the compensating sheave must be lubricated with a suitable adhesive grease
When ordering, a tube of Staburags NBU 12 K must also be ordered. Part no. 472 933 44 (100 g).

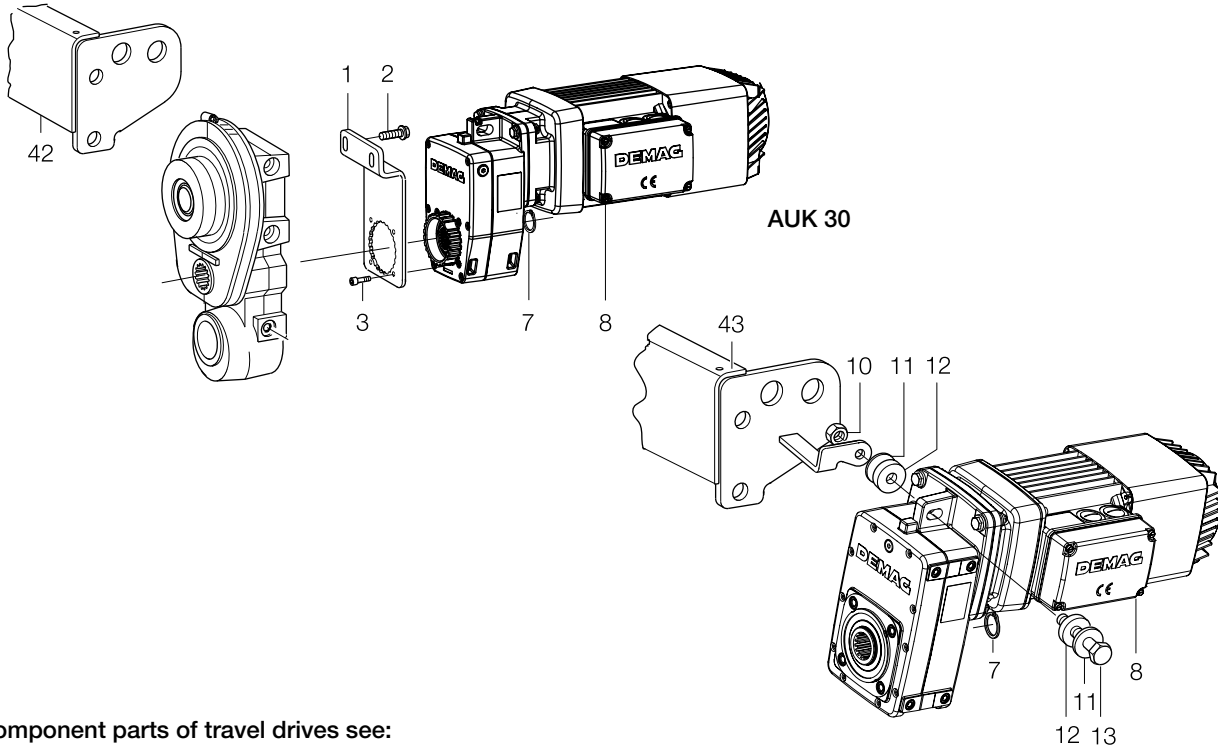
EKDH 1000 low-headroom monorail hoist

Trolley size 10

Travel drives AMK 20/AUK 30

2/1 and 4/2 reeving - H 16 - H 24 - H 40

AMK 20



Component parts of travel drives see:

Page 60 (AMK 20)
Page 68 (AUK 30)

42035745.eps

Item no.	Part no.	Quantity	Designation	Material	Standard
1	83120944	1	TORQUE BRACKET SIZE6-10 A20	AMK 20	
2	30022744	2	LOCK.SCR.M10X20 VB.RIPP	AMK 20	
3	31923999	4	CH.HEAD SCREW M 8 X 18	AMK 20	
7	32162999	1	CIRCLIP	AMK 20/AUK 30	
8			TRAVEL SPEED 12,5 m/min, 3,1/12,5 m/min		
8	84510046	1	DRIVE AMK20DD M0 30 25,3	DH 1032, 1025, ZBF 63 A 8/2 B004	
8	84510546	1	DRIVE AMK20DD M0 30 25,3	DH 1050, 1040, ZBF 71 A 8/2 B004	
8	84511046	1	DRIVE AMK20DD M0 30 25,3	DH 1063, ZBF 80 A 8/2 B020	
8			TRAVEL SPEED 20 m/min, 5/20 m/min		
8	84511146	1	DRIVE AMK20DD M0 30 16,4	DH 1040, 1032, 1025, ZBF 80 A 8/2 B020	
8	84515346	1	DRIVE AUK30DDB14 30 15,7	DH 1063, 1050, ZBF 90 B 8/2 B050	
8			TRAVEL SPEED 31,5 m/min, 8/31,5 m/min		
8	84511246	1	DRIVE AMK20DD M0 30 9,9	DH 1025, ZBF 80 A 8/2 B020	
8	84515246	1	DRIVE AUK30DDB14 30 10,1	DH 1040, 1032, ZBF 90 B 8/2 B050	
8	84516046	1	DRIVE AUK30DDB14 30 10,1	DH 1063, 1050, ZBF 100 A 8/2 B050	
8			TRAVEL SPEED 40 m/min, 10/40 m/min		
8	84515146	1	DRIVE AUK30 I7,8	DH 1032, 1025, ZBF 90 B 8/2 B050	
8	84515946	1	DRIVE AUK30 I7,8	DH 1050, 1040, ZBF 100 A 8/2 B050	
10	33461244	1	LOCK NUT V M12	AUK 30	
11	16062399	2	WASHER 13X35X5	AUK 30	
12	81120444	2	SPRING ELEMENT 13X35X12	AUK 30	
13	15054799	1	HEXAGON SCREW M 12X75	AUK 30	
42	83188944	1	CONNEC. PLATE DH1000H16	AMK 20	
42	83189044	1	CONNEC. PLATE DH1000H24	AMK 20	
42	83189144	1	CONN. PLATE KDH 1000-H40	AMK 20	
43	83189244	1	CONNEC. PLATE DH1000H16	AUK 30	
43	83189344	1	CONNEC. PLATE DH1000H24	AUK 30	
43	83189444	1	CONN. PLATE KDH 1000-H40	AUK 30	

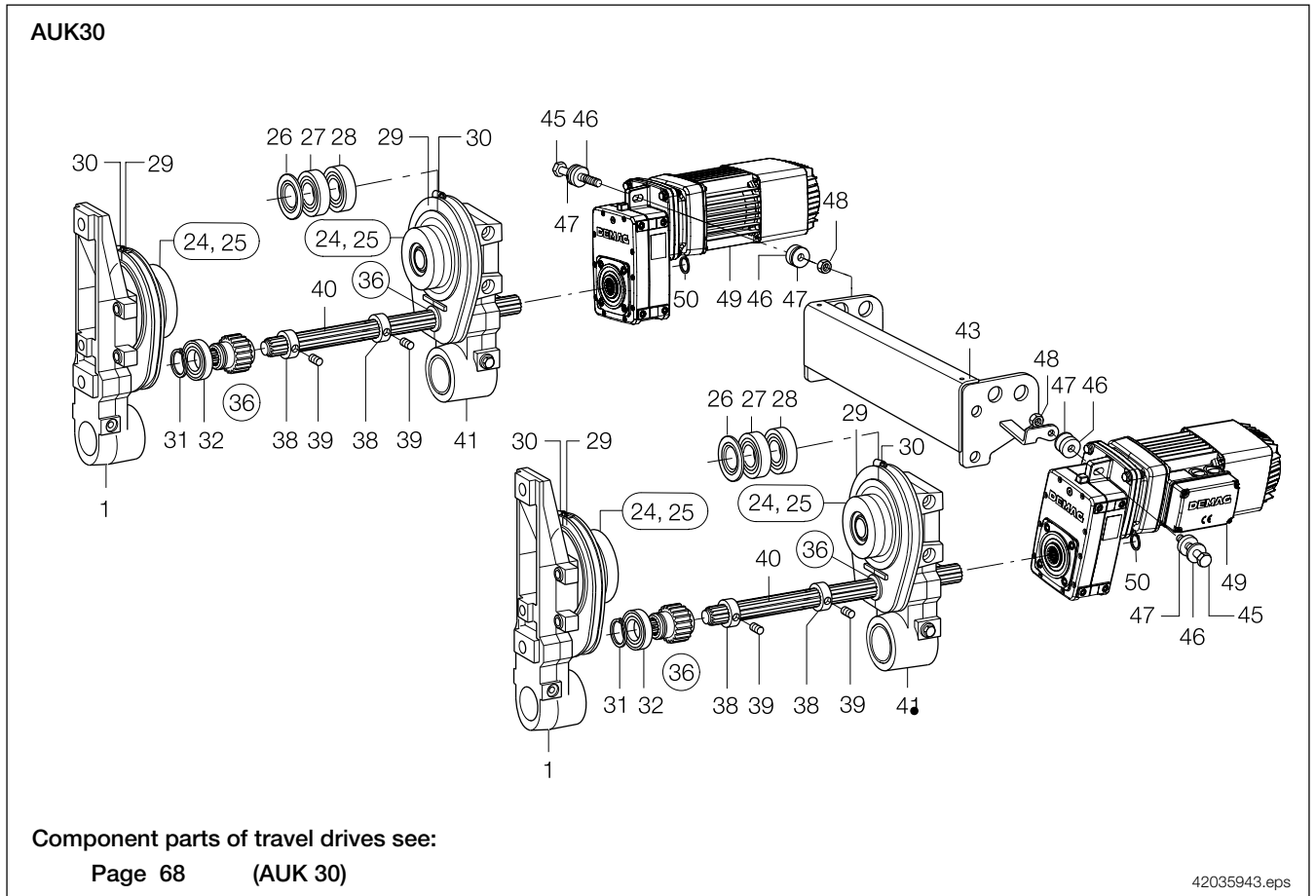
22231135.tbl

1) Only the 2-pole winding is connected for a single travel speed.

EKDH 1063 low-headroom monorail hoist

Trolley size 10 with two travel drives AUK30

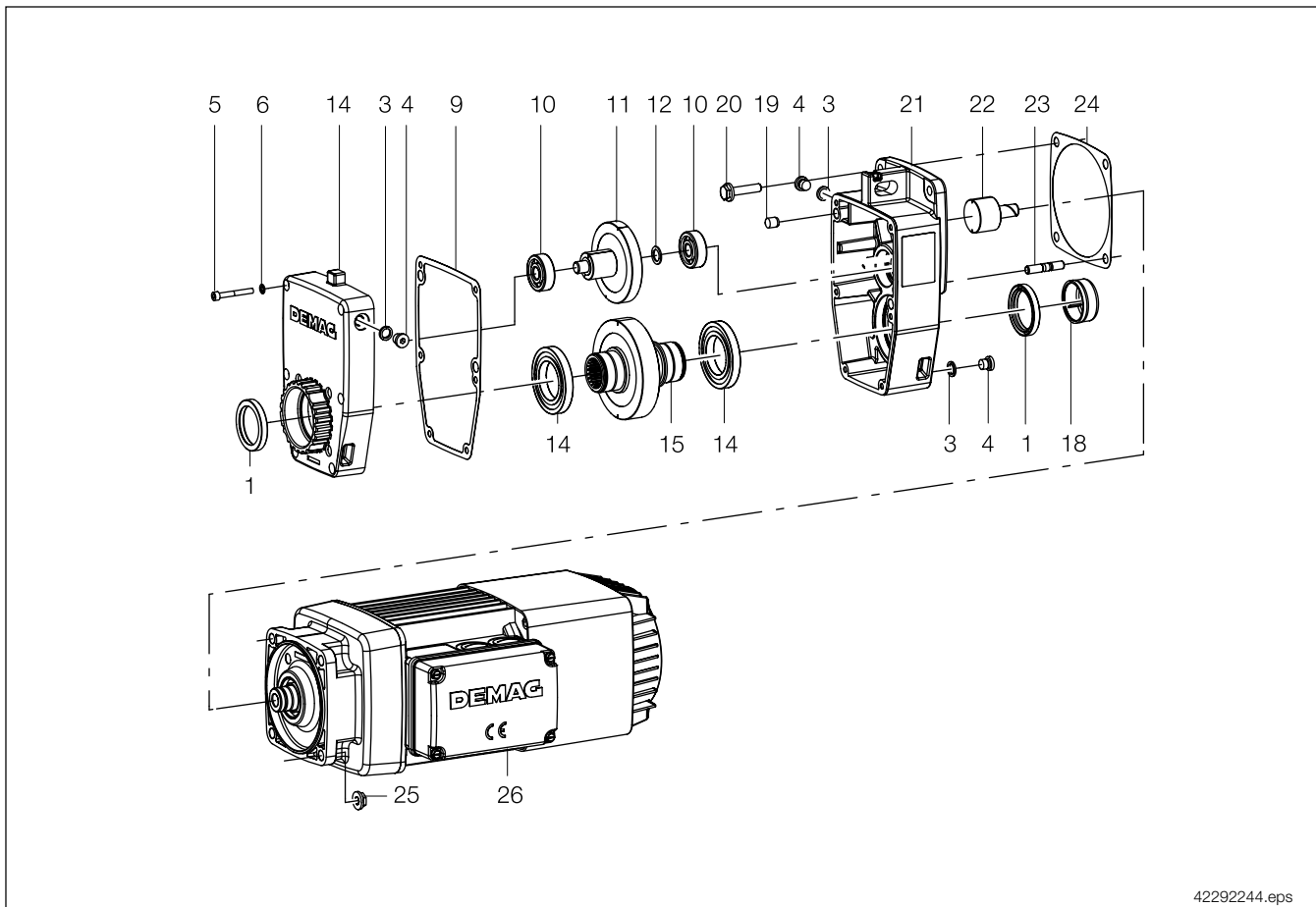
2/1 and 4/2 reeving - H 16 - H 24 - H 40



Item no.	Part no.	Quantity	Designation	Material	Standard
1	83182944	2	LEG DR. WITH PIN		
24	83093444	4	CYL.TRV.WH.160 1 W. T.		C/W ITEMS 26 - 28
25	83093344	4	GEARED TRAVEL WHEEL		C/W ITEMS 26 - 28
26	30016244	2	BRG SEAL. RING 6211 IV		
27	36126199	2	CYL.RO.BRG.NJ 211	WLZ-ST IL	DIN 5412
28	36821199	2	GRV.BALL BRG6211 Z	WLZ-ST	DIN 625
29	83038144	8	PROT.COV.TROLLEY SIZE10		2)
30	59569544	4	SECURING STRAP UP/KP 6T		
31	34253599	1	RETAINING RING 35X1,5	FEDST	DIN 471
32	36816799	1	GRV. BALL BRG 6007 2RS	WLZ-ST IL	DIN 625
36	83123044	4	PINION BEARING 62/N30		KPL. (TEIL-NR. 31 - 32)
38	83122944	4	ADJ. RING B 30/50X18		
39	32538599	4	THREADED PIN M 10X12	45H MK	DIN- 914
40	83116144	2	DRIVE SHAFT W 30X480		FL.W. 110 - 135 MM
40	83116244	2	DRIVE SHAFT W 30X560		FL.W. 136 - 215 MM
40	83116344	2	DRIVE SHAFT W 30X650		FL.W. 216 - 305 MM
40	83116444	2	DRIVE SHAFT W 30X765		FL.W. 306 - 420 MM
41	83191944	2	LEG DR. A WITH PIN		
43	83199244	1	CONNEC. PLATE DH1000H16		
43	83199344	1	CONNEC. PLATE DH1000H24		
43	83199444	1	CONNEC. PLATE DH1000H40		
45	15054799	1	HEXAGON SCREW M 12X75	8.8 A2F	ISO- 4014
46	81120444	2	SPRING ELEMENT 13X35X12		
47	16062399	2	WASHER 13X35X5	C 35 H	DIN 6340
48	33461244	2	LOCK NUT V M12	8 A2F	DIN 980
49			TRAVEL SPEED 40 m/min, 10/40 m/min		1)
49	84515146	2	DRIVE AUK30 I7,8		DH 1063, ZBF 90 B 8/2 B050
50	32163299	2	CIRCLIP 22X1,2	FEDST	DIN 983 22231136.tbl

1) Only the 2-pole winding is connected for a single travel speed.
2) Lubrication 210 g, part no. 472 915 44 (400 g).

Travel drive AMK 20 DD for trolley size 10



42292244.eps

Item no.	Part no.	Quantity	Designation	Material	Standard
1	00508798	2	OIL SEAL AS 40 X 52 X 7	NBR IL	DIN 3760
2	34301544	4	TAPPED BUSH M 8X12 M12C		
3	36710199	3	O-RING 8X2 B	NB 70	DIN 3770
4	31339499	3	SCREW PLUG M10X1	5.8	DIN 908
5	31922099	6	HEX.SOCK.SCR M 5 X 40	10.9 A2F	DIN 912
5	78711444	1	GEARB.COVER AM20		
6	34040499	6	WASHER 5,3	140HV A2F	DIN 433
9	78711544	1	SEAL 1-GAF20		FROM 01.01.1999
10	36060199	2	GROOVED BALL BRG. 6301	WLZ-ST IL	DIN 625
11	84139746	1	CLUS.GEAR Z16M1.50Z 48M1.25		I = 9,95
11	84139546	1	CLUS.GEAR Z16M1.50Z 54M1.25		I = 16,4
11	84139346	1	CLUS.GEAR Z16M1.50Z 77M0.93		I = 25,3
12	34348999	1	SUPPORT.RING 12X 18X1,2	FEDST	DIN 988
14	36044899	2	GROOVED BALL BRG. 16008	WLZ-ST IL	DIN 625
15	84142046	1	OUTP.SHAFT W. GEAR Z63		I = 9,95-16.4-25,3
18	71609844	1	PROTECTIVE CAP 40 X 20		
19	15055399	2	PAR. PIN 10 M 6X 12	ST50 K	ISO 2338
20	30022144	2	LOCK.SCR M 8X35 VB.RIPP		
21	78710444	1	GEARB.HOUSING A20		
22	78604144	1	PINION Z 19 M1,25B 24		I = 9,95
22	78603144	1	PINION Z 13 M1,25B 24		I = 16,4
22	78602144	1	PINION Z 12 M0,93B 26		I = 25,3
23	15064299	2	GRUB SCREW M 8 X 22	10.9 B2=14	DIN- 940
24	78701644	1	SEAL 2-GAF10		FROM 01.01.1999
25	30028244	4	LOCK NUT M 8 VB.RIPP 10		
26			MOTOR ZBF 63		1)
			MOTOR ZBF 71		2)
			MOTOR ZBF 80		3)

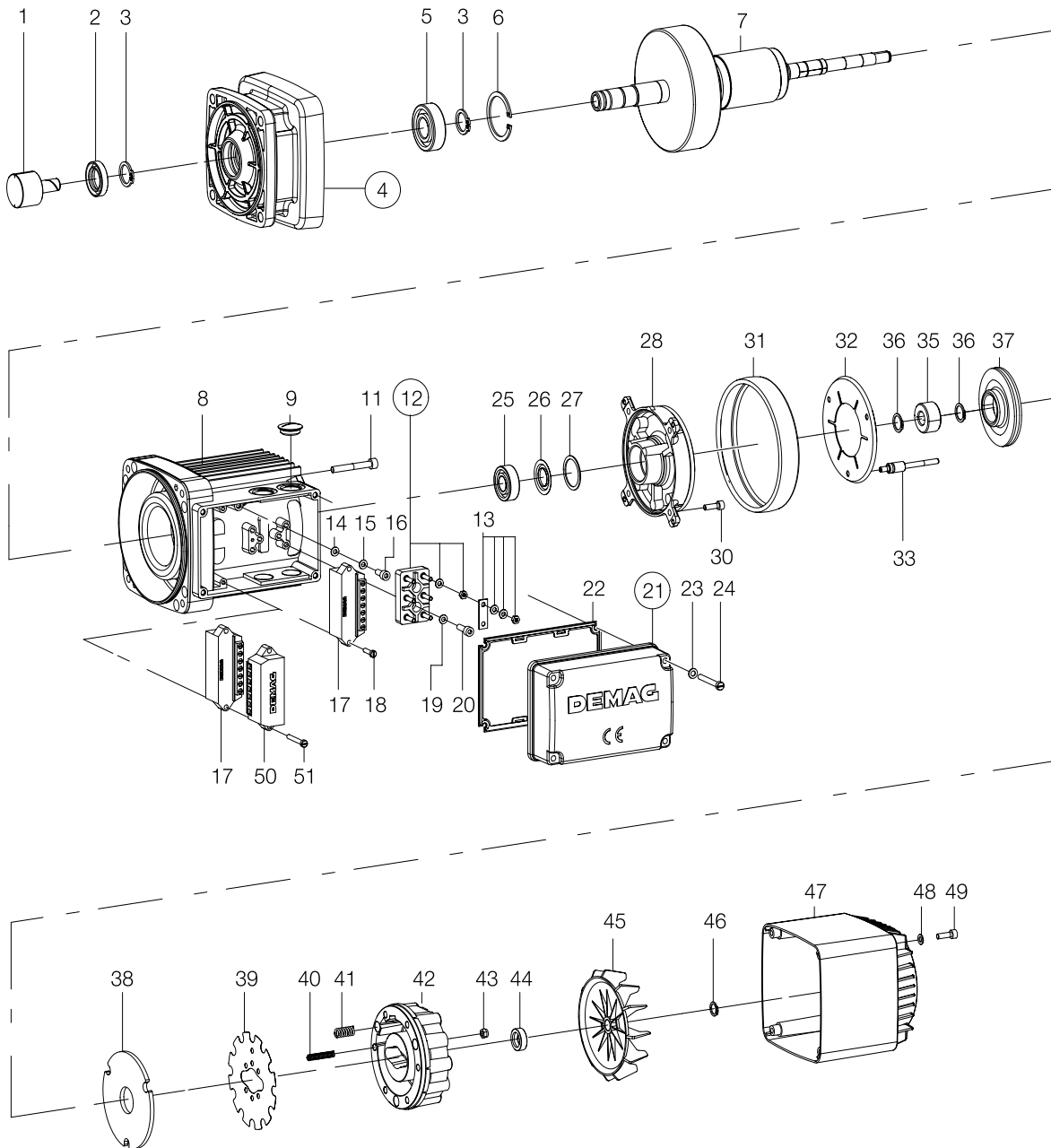
22231139.tbl

1) see page 63.

2) see page 65.

3) see page 67.

Travel motor ZBF 63 A 8/2 for trolley size 10



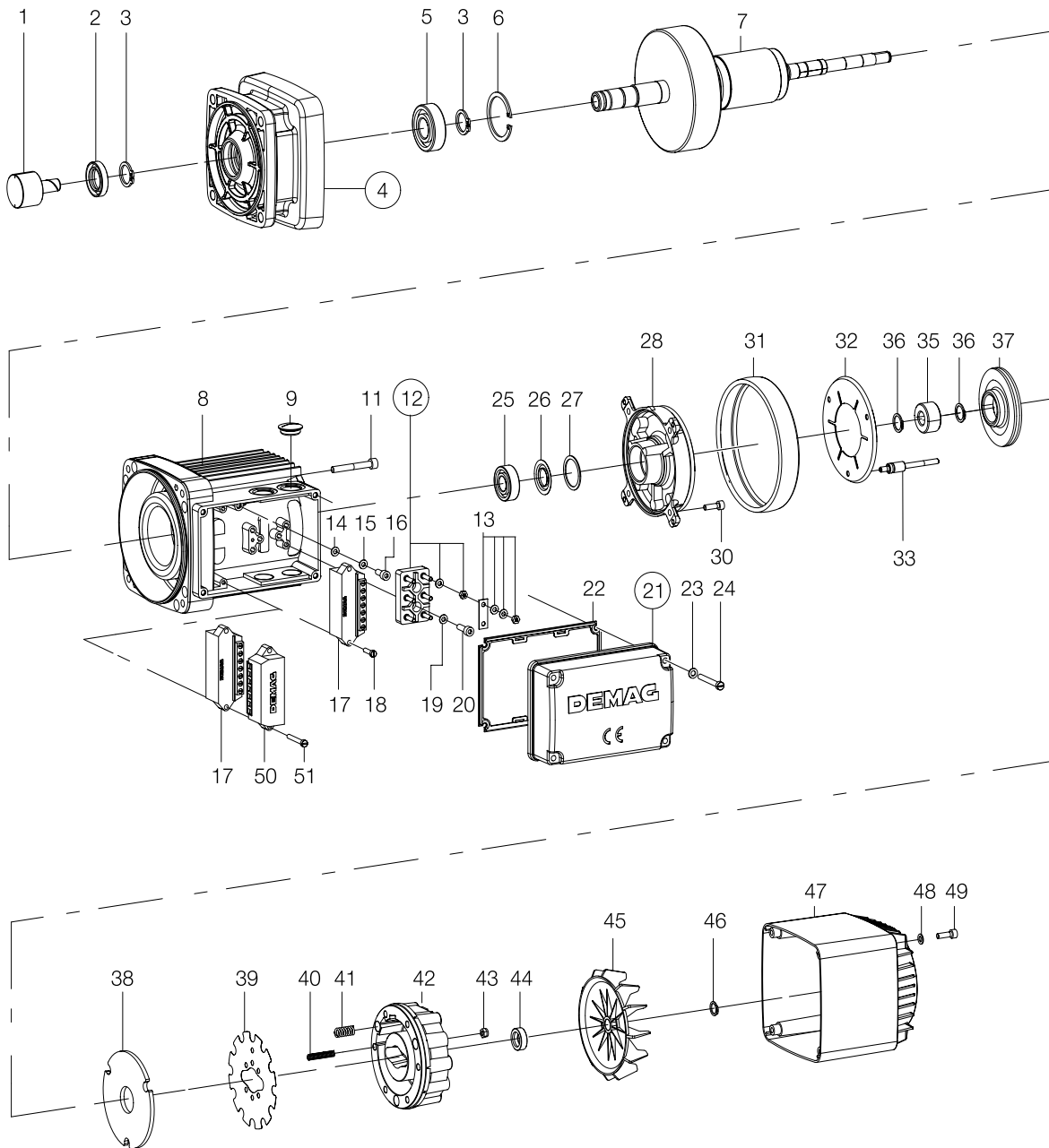
Travel motor ZBF 63 A 8/2 for trolley size 10

Item no.	Part no.	Quantity	Designation		Material	Standard
1			PINION AMK 20	1)		
2	36687599	1	OIL SEAL A 20X35X7		NBR IL	DIN 3760
3	34247099	2	RETAINING RING 20X1,75		FEDST IL	DIN 471
4	20861084	1	END SHIELD A10/20 Z 63	C/W ITEMS 5, 6		
5	15073499	1	GROOVED BALL 6204 2Z	SPECIAL BEARING	SPEC. GREASE	DIN- 625
6	34264799	1	RETAINING RING 47X1,75		FEDST	DIN 472
7	20832084	1	ROTOR ZBF 63A IKO			
8	20600784	1	STATOR ZBF 63A 8/2	400 V, 50 ID		
9	15086799	4	PLUG SCREW PG13,5D			
11	32154299	4	HEX.SOCK SCREW M6X45		10.9 A2F	DIN 912
12	05492284	1	TERMINAL PLATE, CPL.	C/W ITEMS 13, 19, 20, ZBF 63		
13	20892084	1	STATOR CONN.ACCESS.Z 63			
14	00465498	1	LOCK WASHER 5			
15	34050599	1	WASHER 5,3		140HV A2F	DIN 125
16	31921499	1	CHEESEHD SCREW M5X12		10.9 A2F	DIN 912
17	26089084	1	BRAKE CONTROL UNIT GE3A	U AC = 42 - 109 V		
17	26089184	1	BRAKE CONTROL UNIT GP3A	U AC = 42 - 109 V		
17	26089284	1	BRAKE CTRL UNIT GE1,5A	U AC = 110 - 500 V		
17	26089384	1	BRAKE CTRL UNIT GP1,5A	U AC = 110 - 500 V		
18	31816699	2	CHEESE HD.SCREW M 4X16		4.8 A2F	DIN 84
19	00465498	2	LOCK WASHER 5			
20	31892499	2	HEX.SOCK SCREW M 5 X 16		10.9 A2F	DIN 912
21	21880084	1	TERMINAL BOX COVER Z 80	C/W ITEMS 22 - 24		
22	21880284	1	SEAL Z 80			
23	34050599	4	WASHER 5,3		140HV A2F	DIN 125
24	31905299	4	CHEESEHD SCREW 5X 40		4.8 A2F	DIN 84
25	15124399	1	GRV. BALL BRG 6202 2Z C3	SPECIAL BEARING	SPEC. GREASE	DIN- 625
26	34273344	1	BEAR.SEAL.RING 6202ZIV			
27	34272844	1	OND.FLEX.WASHER 28X 34,5X0,5			
28	20866384	1	END SHIELD BS -ZB 63	B004		
30	31892499	4	HEX.SOCK SCREW M 5 X 16		10.9 A2F	DIN 912
31	26013084	1	SEAL. TAPE B007	IP 55, B004, 2)		
32	26010784	1	FRICITION PLATE B007			
33	26010984	3	COLLAR.PIN B007-BESCH.	B004		
35	26011584	1	ENGAGING DOG B007 SMALL	B004		
36	34251599	2	RETAINING RING 15X1		FEDST	DIN 471
37	26012684	1	BRAKE DISC FB1121	B004		
38	26012984	1	ANCHOR PLATE B004 GG-25			
39	26010584	1	STOP PLATE B007	B004		
40	26011284	3	DISTANCE SPRING			
41	26011184		BRAKE SPRING RED	B004, MAX. 6 OFF		
41	26012784		BRAKE SPRING B007 BLUE	MAX. 6 OFF		
42	26015084	1	MAGNET BODY B007 180V	B004		
43	15056399	3	HEXAGON NUT M5		8 A2F	DIN 985
44	15088399	1	OIL SEAL. AS 12X22X7		NBR	DIN- 3760
45	20871584	1	FAN WHEEL, LIGHT Z 63			
46	34260199	1	CIRCLIP 11X1		FEDST	DIN 471
47	20871084	1	FAN COVER ZB 63 LONG			
48	00465498	4	LOCK WASHER 5			
49	31892499	4	HEX.SOCK SCREW M 5 X 16		10.9 A2F	DIN 912
50	26086484	1	RELAY CURRENT SE 1<=4A			
50	26089884	1	VARISTOR INSULATED			
51	31809299	2	SLO.CHE.HE. SCREW M4X30		4.8 A2F	DIN 84 22231140.tbl

1) see page 60.

2) For service in arduous conditions, galvanized brake surface.

Travel motor ZBF 71 A 8/2 for trolley size 10



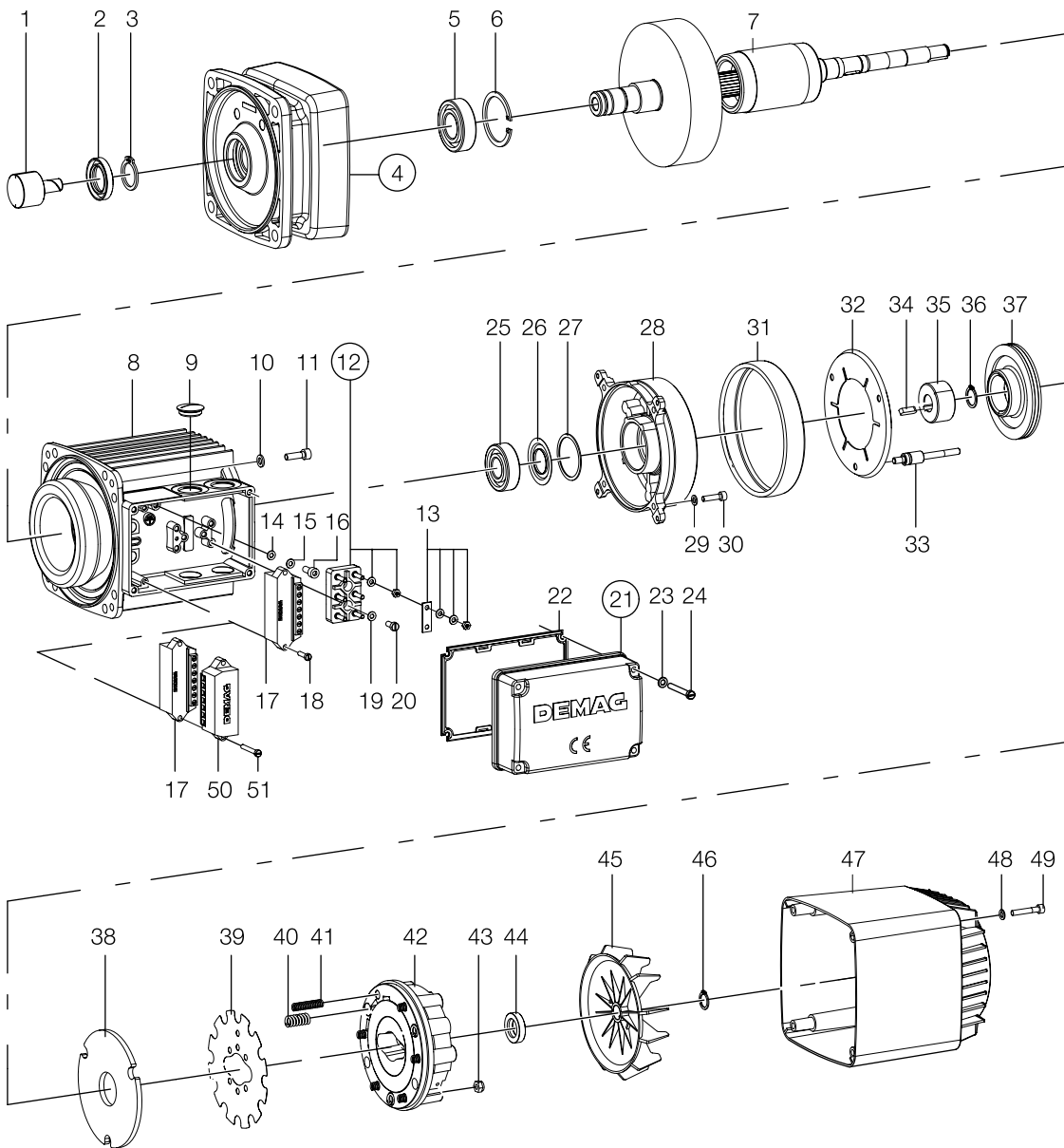
Travel motor ZBF 71 A 8/2 for trolley size 10

Item no.	Part no.	Quantity	Designation		Material	Standard
1			PINION AMK 20	1)		
2	36687599	1	OIL SEAL A 20X35X7		NBR !L	DIN 3760
3	34247099	2	RETAINING RING 20X1,75		FEDST !L	DIN 471
4	20861084	1	END SHIELD A10/20 Z 63	C/W ITEMS 5, 6, ZBF 71		
5	15073499	1	GROOVED BALL 6204 2Z		SPEC. GREASE	DIN- 625
6	34264799	1	RETAINING RING 47X1,75		FEDST	DIN 472
7	20832284	1	ROTOR ZBF 63B IKO	ZBF 71		
8	21100784	1	STATOR ZBF 71A 8/2	400 V, 50 ID		
9	15086799	4	PLUG SCREW PG13,5D			
11	32154299	4	HEX.SOCK SCREW M6X45		10.9 A2F	DIN 912
12	05492284	1	TERMINAL PLATE, CPL.	C/W ITEMS 13, 19, 20, ZBF 71		
13	20892084	1	STATOR CONN.ACCESS.Z 63			
14	00465498	1	LOCK WASHER 5			
15	34050599	1	WASHER 5,3		140HV A2F	DIN 125
16	31921499	1	CHEESEHD SCREW M5X12		10.9 A2F	DIN 912
17	26089084	1	BRAKE CONTROL UNIT GE3A	U AC = 42 - 109 V		
17	26089184	1	BRAKE CONTROL UNIT GP3A	U AC = 42 - 109 V		
17	26089284	1	BRAKE CTRL UNIT GE1,5A	U AC = 110 - 500 V		
17	26089384	1	BRAKE CTRL UNIT GP1,5A	U AC = 110 - 500 V		
18	31816699	2	CHEESE HD.SCREW M 4X16		4.8 A2F	DIN 84
19	00465498	2	LOCK WASHER 5			
20	31892499	2	HEX.SOCK SCREW M 5 X 16		10.9 A2F	DIN 912
21	21880084	1	TERMINAL BOX COVER Z 80	C/W ITEMS 22 - 24		
22	21880284	1	SEAL Z 80			
23	34050599	4	WASHER 5,3		140HV A2F	DIN 125
24	31905299	4	CHEESEHD SCREW 5X 40		4.8 A2F	DIN 84
25	15124399	1	GRV. BALL BRG 6202 2Z C3	SPECIAL BEARING	SPEC. GREASE	DIN- 625
26	34273344	1	BEAR.SEAL.RING 6202ZIV			
27	34272844	1	OND.FLEX.WASHER 28X 34,5X0,5			
28	20866384	1	END SHIELD BS -ZB 63	B004, ZBF 71		
30	31892499	4	HEX.SOCK SCREW M 5 X 16		10.9 A2F	DIN 912
31	26013084	1	SEAL. TAPE B007	IP 55, B004, 2)		
32	26010784	1	FRICITION PLATE B007			
33	26010984	3	COLLAR.PIN B007-BESCH.	B004		
35	26011584	1	ENGAGING DOG B007 SMALL	B004, ZBF 71		
36	34251599	2	RETAINING RING 15X1		FEDST	DIN 471
37	26012684	1	BRAKE DISC FB1121	B004		
38	26012984	1	ANCHOR PLATE B004 GG-25			
39	26010584	1	STOP PLATE B007	B004		
40	26011284	3	DISTANCE SPRING			
41	26011184		BRAKE SPRING RED	B004, MAX. 6 OFF		
41	26012784		BRAKE SPRING B007 BLUE	MAX. 6 OFF		
42	26015084	1	MAGNET BODY B007 180V	B004		
43	15056399	3	HEXAGON NUT M5		8 A2F	DIN 985
44	15088399	1	OIL SEAL. AS 12X22X7		NBR	DIN- 3760
45	20871584	1	FAN WHEEL, LIGHT Z 63	ZBF 71		
46	34260199	1	CIRCLIP 11X1		FEDST	DIN 471
47	20871084	1	FAN COVER ZB 63 LONG	ZBF 71		
48	00465498	4	LOCK WASHER 5			
49	31892499	4	HEX.SOCK SCREW M 5 X 16		10.9 A2F	DIN 912
50	26086484	1	RELAY CURRENT SE 1<=4A			
50	26089884	1	VARISTOR INSULATED			
51	31809299	2	SLO.CHE.HE. SCREW M4X30		4.8 A2F	DIN 84 22231141.tbl

1) see Page 60.

2) For service in arduous conditions, galvanized brake surface.

Travel motor ZBF 80 A 8/2 for trolley size 10



Travel motor ZBF 80 A 8/2 for trolley size 10

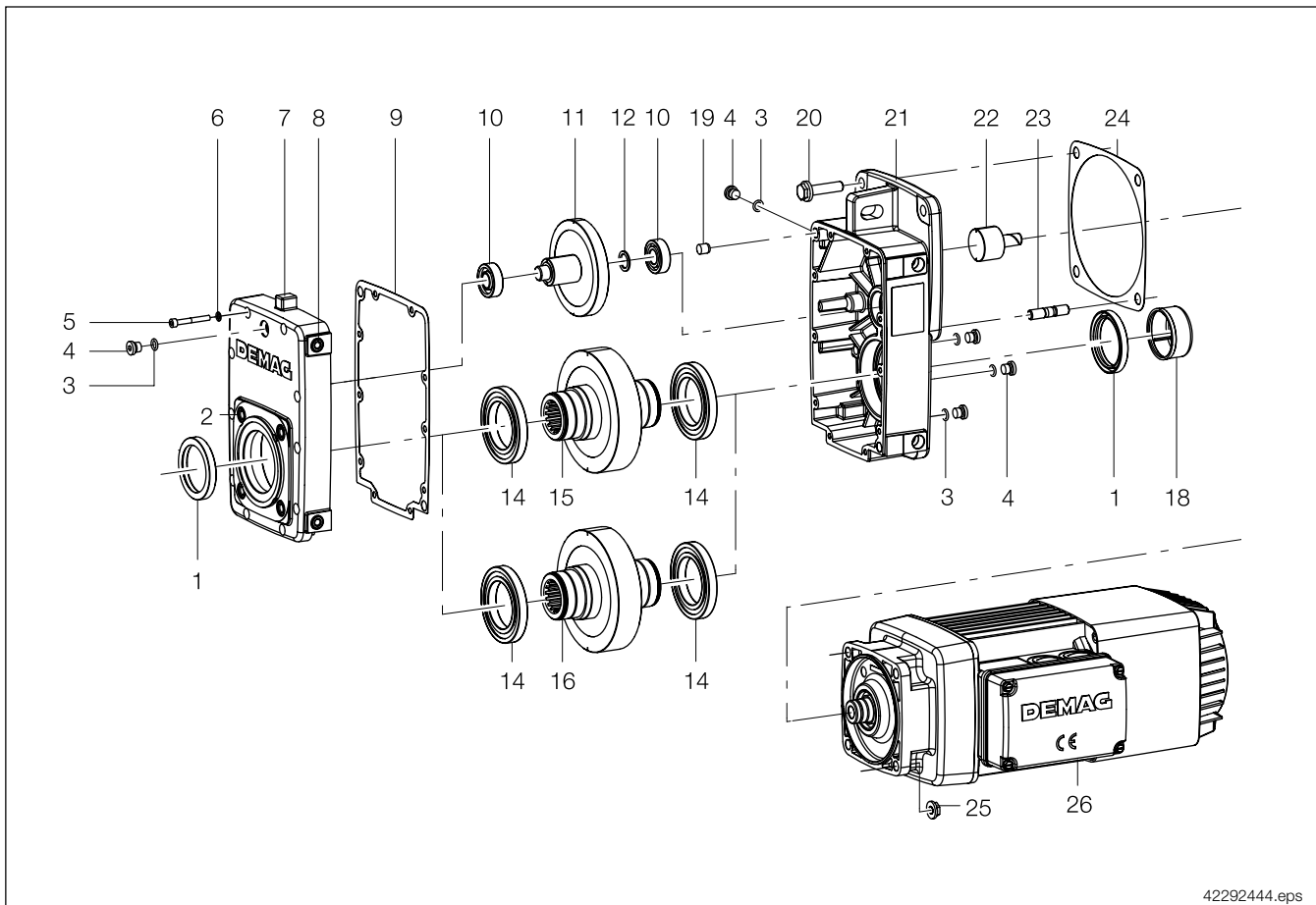
Item no.	Part no.	Quantity	Designation		Material	Standard
1			PINION AMK 20	1)		
2	36646499	1	OIL SEAL A 25X42X7		NBR !L	DIN 3760
3	34250399	1	RETAINING RING 25X2		FEDST !L	DIN 471
4	21861084	1	END SHIELD A10/20 Z 80	C/W ITEMS 5, 6		
5	15073599	1	GRVD BALL BRG 6205 2Z		SPEC. GREASE	DIN- 625
6	34265199	1	RETAINING RING 52X2		FEDST	DIN 472
7	21834284	1	ROTOR ZBF 80A IKO			
8	21603884	1	STATOR ZBF 80A 8/2	400 V, 50 ID		
9	00723898	4	THREADED PLUG PG16 D			
10	00465598	4	LOCK WASHER S 6			
11	32142099	4	HEX.SOCK.SCR M 6X20		10.9 A2F	DIN 912
12	05492284	1	TERMINAL PLATE, CPL.	C/W ITEMS 13, 19, 20, ZBF 80		
13	20892084	1	STATOR CONN.ACCESS.Z 63	ZBF 80		
14	00465498	1	LOCK WASHER 5			
15	34050599	1	WASHER 5,3		140HV A2F	DIN 125
16	31921499	1	CHEESEHD SCREW M5X12		10.9 A2F	DIN 912
17	26089084	1	BRAKE CONTROL UNIT GE3A	U AC = 42 - 109 V		
17	26089184	1	BRAKE CONTROL UNIT GP3A	U AC = 42 - 109 V		
17	26089284	1	BRAKE CTRL UNIT GE1,5A	U AC = 110 - 500 V		
17	26089384	1	BRAKE CTRL UNIT GP1,5A	U AC = 110 - 500 V		
18	31816699	2	CHEESE HD.SCREW M 4X16		4.8 A2F	DIN 84
19	00465498	2	LOCK WASHER 5			
20	31819799	2	SLO.CHE.HE.SCREW M5X12		4.8 A2F	DIN 84
21	21880084	1	TERMINAL BOX COVER Z 80	C/W ITEMS 22 - 24		
22	21880284	1	SEAL Z 80			
23	34050599	4	WASHER 5,3		140HV A2F	DIN 125
24	31905299	4	CHEESEHD SCREW 5X 40		4.8 A2F	DIN 84
25	15073499	1	GROOVED BALL. 6204 2Z		SPEC. GREASE	DIN- 625
26	34273544	1	BEAR.SEAL.RING 6204ZIV			
27	34273244	1	SHAFT RING 40X46,5X0,5			
28	21866384	1	END SHIELD BS -ZB 80			
29	00465498	4	LOCK WASHER 5			
30	31921699	4	HEX.SOCK.SCR M 5X20		10.9 A2F	DIN 912
31	26023084	1	SEAL. TAPE B020	IP 55, 2)		
32	26020784	1	FRICTION PLATE B020			
33	26020984	3	COLLAR.PIN B020-BESCH.			
34	35424299	1	KEY A 5X 5X 18		C 45 K	DIN 6885
35	26021584	1	ENGAGING DOG B020 SMALL			
36	34251799	1	RETAINING RING 17X1		FEDST	DIN 471
37	26022684	1	BRAKE DISC FB1121			
38	26022984	1	ARMATURE DSC B020			
39	26020584	1	STOP PLATE B020			
40	26011284	3	DISTANCE SPRING			
40	26021284	3	DISTANCE SPRING			
41	26021184	1	BRAKE SPRING RED	MAX. 6 OFF		
41	26022784	1	BRAKE SPRING B020 BLUE	MAX. 6 OFF		
42	26025084	1	MAGNET BODY B020 180V			
43	15056499	3	HEXAGON NUT M6		8 A2F	DIN 985
44	15088599	1	OIL SEAL AS 16X 30X 7		NBR	DIN- 3760
45	21871584	1	FAN WHEEL, LIGHT Z 80			
46	34251499	1	CIRCLIP 14 X 1		FEDST	DIN 471
47	21871084	1	FAN COVER ZB 80 ZUSG			
48	34050599	4	WASHER 5,3		140HV A2F	DIN 125
49	31921899	4	HEX.SOCK.SCR M 5 X 40		10.9 A2F	DIN 912
50	26087084	1	CURRENT RELAY SE I<= 16A			
50	26089884	1	VARIATOR INSULATED			
51	31809299	2	SLO.CHE.HE. SCREW M4X30		4.8 A2F	DIN 84

22231142.tbl

1) see page 60.

2) For service in arduous conditions, galvanized brake surface.

Travel drive AUK 30 DD for trolley size 10



42292444.eps

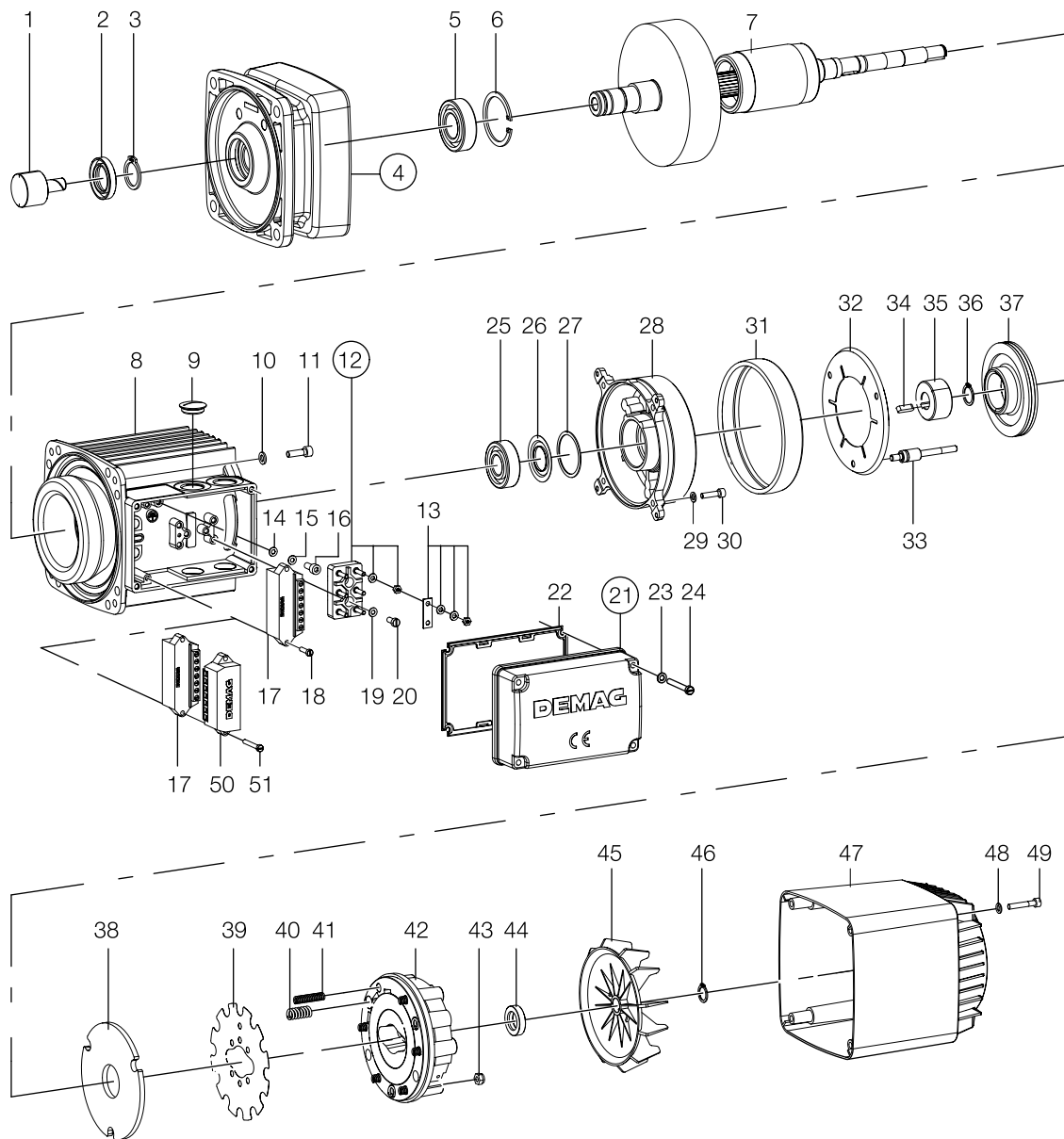
Item no.	Part no.	Quantity	Designation	Material	Standard
1	36639599	2	OIL SEAL AS 50X 65X 8	NBR IL	DIN 3760
2	33893244	4	THREADED BUSH M10X18X16		
3	36710199	5	O-RING 8X2 B	NB 70	DIN 3770
4	31339499	5	SCREW PLUG M10X1	5.8	DIN 908
5	31922099	10	HEX.SOCK.SCR M 5 X 40	10.9 A2F	DIN 912
6	34040499	10	WASHER 5,3	140HV A2F	DIN 433
7	78721044	1	GEARB.COVER AF/AG30		
8	33893344	4	THREAD INSERT M 8		
9	78721544	1	SEAL 1-GAF30		
10	15061699	2	GROOVED BALL BRG. NJ 202 E		FROM 01.01.1999
11	84147646	1	CLUS.GEAR Z15M1.60Z 47M1.25		I = 7,78
11	84147546	1	CLUS.GEAR Z15M1.60Z 51M1.25		I = 10,1
11	84147346	1	CLUS.GEAR Z15M1.60Z 58M1.25		I = 15,7
12	34349099	1	SUPPORTING WASHER	FEDST	DIN 988
14	36045099	2	GRV.B. BRG 16010	WLZ-ST !L	DIN 625
15	84150046	1	OUTP.SHAFT W. GEAR Z77		I = 7,78-10,1-15,7
16	84151946	1	OUTP.SHAFT W. GEAR Z77		I = 7,78-10,1-15,7
18	81038544	1	DUST CAP AF05/AFM05		
19	15055399	2	PAR. PIN 10 M 6X 12	ST50 K	ISO 2338
20	30023244	2	SAFETY SCREW M10X35		
21	78720644	1	GEARB.HOUSING AG30		
22	78605744	1	PINION Z 31 M1,25B 24		I = 7,78
22	78605244	1	PINION Z 26 M1,25B 24		I = 10,1
22	78604244	1	PINION Z 19 M1,25B 24		I = 15,7
23	15059999	2	GRUB SCREW M10 X 25	10.9	DIN- 835
24	78721644	1	SEAL 1-GAF30/A40		FROM 01.01.1999
25	30028344	4	SAFETY NUT M10		
26			MOTOR ZBF 90		1)
			MOTOR ZBF 100		2)

22231143.tbl

1) see Page 71.

2) see Page 73.

Travel motor ZBF 90 B 8/2 for trolley size 10



Travel motor ZBF 90 B 8/2 for trolley size 10

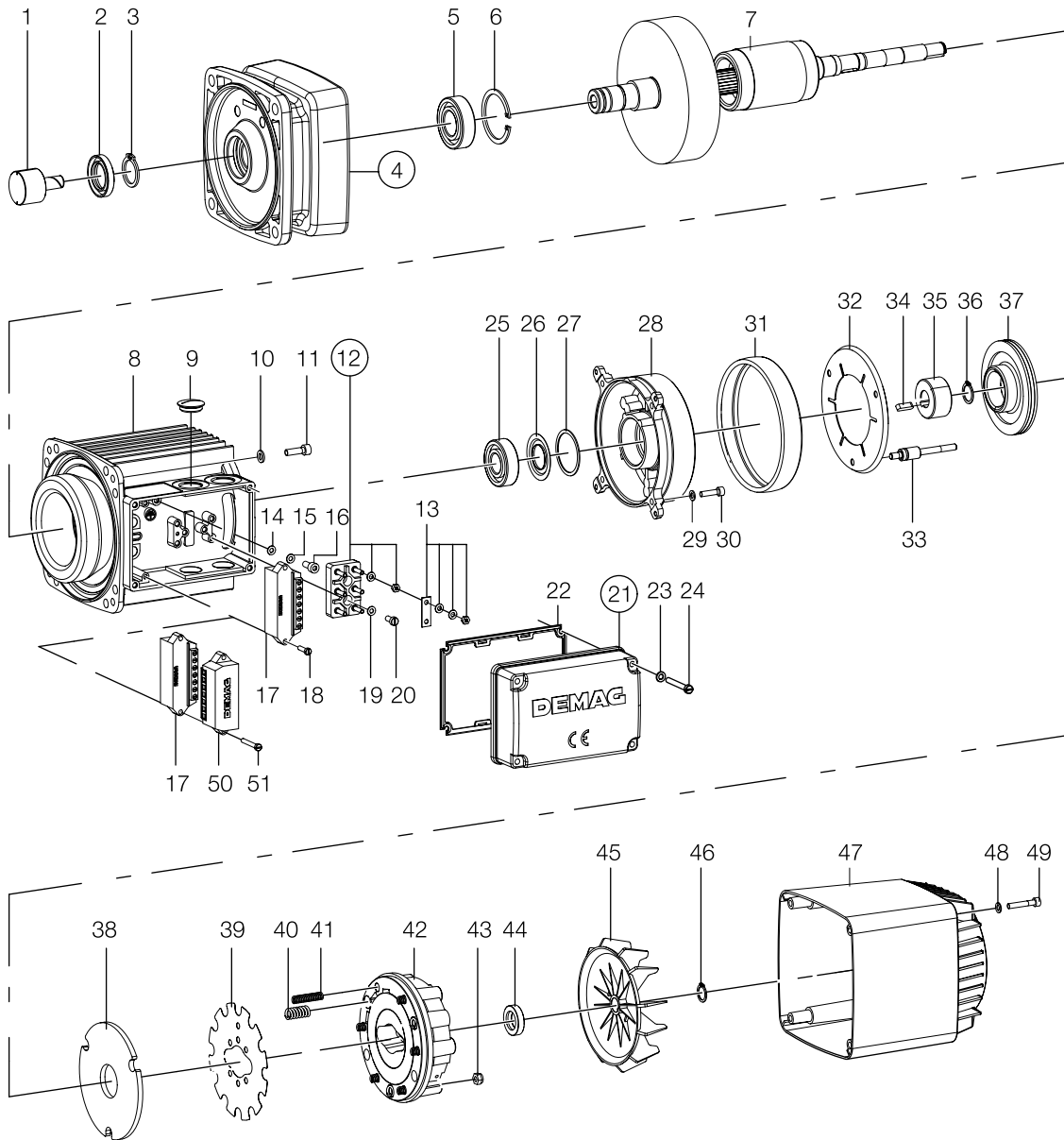
Item no.	Part no.	Quantity	Designation		Material	Standard
1			PINION AUK 30	1)		
2	36706599	1	OIL SEAL A 35X 52X 7		NBR !L	DIN 3760
3	34243599	1	RETAINING RING 35X2,5		FEDST !L	DIN 471
4	22861384	1	END SHIELD A30/40 Z100	C/W ITEMS 5, 6, Z 90 B		
5	15073799	1	GRV.BALL BRG6207 2Z		SPEC. GREASE	DIN- 625
6	34266199	1	RETAINING RING 72X2,5		FEDST	DIN 472
7	22832084	1	ROTOR ZBF100A 8/2 IKO	ZBF 90		
8	22101084	1	STATOR ZBF 90B 8/2	400 V, 50 ID		
9	00723998	4	THREADED PLUG PG21 D			
10	00465698	4	LOCK WASHER 8			
11	32154399	4	CH HD SCREW M 8 X 25		10.9 A2F	DIN 912
12	06992284	1	TERMINAL PLATE, CPL.	C/W ITEMS 13, 19, 20, Z 90 B		
13	22892084	1	STATOR CONN.ACCESS.Z100	ZBF 90		
14	00465498	1	LOCK WASHER 5			
15	34050599	1	WASHER 5,3		140HV A2F	DIN 125
16	31921499	1	CHEESEHD SCREW M5X12		10.9 A2F	DIN 912
17	26089084	1	BRAKE CONTROL UNIT GE3A	U AC = 42 - 109 V		
17	26089184	1	BRAKE CONTROL UNIT GP3A	U AC = 42 - 109 V		
17	26089284	1	BRAKE CTRL UNIT GE1,5A	U AC = 110 - 500 V		
17	26089384	1	BRAKE CTRL UNIT GP1,5A	U AC = 110 - 500 V		
18	31816699	2	CHEESE HD.SCREW M 4X16		4.8 A2F	DIN 84
19	00465498	2	LOCK WASHER 5			
20	31819799	2	SLO.CHE.HE.SCREW M5X12		4.8 A2F	DIN 84
21	22880084	1	TERMINAL BOX COVER Z100	C/W ITEMS 22 - 24, ZBF 90		
22	22880284	1	SEAL Z100	ZBF 90		
23	34050599	4	WASHER 5,3		140HV A2F	DIN 125
24	31905299	4	CHEESEHD SCREW 5X 40		4.8 A2F	DIN 84
25	15073699	1	GROOVED BALL BRG. 6206 2Z		SPEC. GREASE	DIN- 625
26	34273644	1	BEAR.SEAL.RING 6206ZIV			
27	30000444	1	LOCK WASHER			
28	22866384	1	END SHIELD BS -ZB 100	ZBF 90		
29	00465598	4	LOCK WASHER S 6			
30	32001499	4	HEX. SOCK. SCREW M 6X25		10.9 A2F	DIN 912
31	26033084	1	SEAL. TAPE B050	IP 55, 2)		
32	26030784	1	FRICTION PLATE B050	IP 55, 2)		
33	26030984	3	COLLAR.PIN B050-BESCH.			
34	35425999	1	KEY		C 45 K	DIN 6885
35	26031584	1	ENGAGING DOG B050 SMALL			
36	34252299	1	CIRCLIP 22X1,2		FEDST	DIN 471
37	26032684	1	BRAKE DISC FB1121			
38	26032984	1	ARMATURE DSC B050			
39	26030584	1	STOP PLATE B050			
40	26021284	3	DISTANCE SPRING			
40	26031284	3	DISTANCE SPRING			
41	26031184	1	BRAKE SPRING RED	MAX. 6 OFF		
41	26032784	1	BRAKE SPRING B050 BLUE	MAX. 6 OFF		
42	26035084	1	MAGNET BODY B050 180V			
43	15056599	3	HEX.NUT M 6		8 A2F	DIN 985
44	15088799	1	OIL SEAL AS 20X 40X 7		NBR	DIN- 3760
45	22871584	1	FAN WHEEL, LIGHT Z 100	ZBF 90		
46	34251799	1	RETAINING RING 17X1		FEDST	DIN 471
47	22871084	1	FAN COVER ZB100 LONG	ZBF 90		
48	34050599	4	WASHER 5,3		140HV A2F	DIN 125
49	31921799	4	HEXSOCK SCREW M 5X 25		10.9 A2F	DIN 912
50	26087084	1	CURRENT RELAY SE I<= 16A			
50	26089884	1	VARISTOR INSULATED			
51	31809299	2	SLO.CHE.HE. SCREW M4X30		4.8 A2F	DIN 84

22231144.tbl

1) see page 68.

2) For service in arduous conditions, galvanized brake surface.

Travel motor ZBF 100 A 8/2 for trolley size 10



Travel motor ZBF 100 A 8/2 for trolley size 10

Item no.	Part no.	Quantity	Designation		Material	Standard
1			PINION AUK 30	1)		
2	36706599	1	OIL SEAL A 35X 52X 7		NBR !L	DIN 3760
3	34243599	1	RETAINING RING 35X2,5		FEDST !L	DIN 471
4	22861384	1	END SHIELD A30/40 Z100	C/W ITEMS 5, 6		
5	15073799	1	GRV.BALL BRG6207 2Z		SPEC. GREASE	DIN- 625
6	34266199	1	RETAINING RING 72X2,5		FEDST	DIN 472
7	22832284	1	ROTOR ZBF100B 8/2 IKO			
8	22600784	1	STATOR ZBF100A 8/2	400 V, 50 ID		
9	00723998	4	THREADED PLUG PG21 D			
10	00465698	4	LOCK WASHER 8			
11	32154399	4	CH HD SCREW M 8 X 25		10.9 A2F	DIN 912
12	06992284	1	TERMINAL PLATE, CPL.	C/W ITEMS 13, 19, 20		
13	22892084	1	STATOR CONN.ACCESS.Z100			
14	00465498	1	LOCK WASHER 5			
15	34050599	1	WASHER 5,3		140HV A2F	DIN 125
16	31921499	1	CHEESEHD SCREW M5X12		10.9 A2F	DIN 912
17	26089084	1	BRAKE CONTROL UNIT GE3A	U AC = 42 - 109 V		
17	26089184	1	BRAKE CONTROL UNIT GP3A	U AC = 42 - 109 V		
17	26089284	1	BRAKE CTRL UNIT GE1,5A	U AC = 110 - 500 V		
17	26089384	1	BRAKE CTRL UNIT GP1,5A	U AC = 110 - 500 V		
18	31816699	2	CHEESE HD.SCREW M 4X16		4.8 A2F	DIN 84
19	00465498	2	LOCK WASHER 5			
20	31819799	2	SLO.CHE.HE.SCREW M5X12		4.8 A2F	DIN 84
21	22880084	1	TERMINAL BOX COVER Z100	C/W ITEMS 22 - 24		
22	22880284	1	SEAL Z100			
23	34050599	4	WASHER 5,3		140HV A2F	DIN 125
24	31905299	4	CHEESEHD SCREW 5X 40		4.8 A2F	DIN 84
25	15073699	1	GROOVED BALL BRG. 6206 2Z		SPEC. GREASE	DIN- 625
26	34273644	1	BEAR.SEAL.RING 6206ZIV			
27	30000444	1	LOCK WASHER			
28	22866384	1	END SHIELD BS -ZB 100			
29	00465598	4	LOCK WASHER S 6			
30	32001499	4	HEX. SOCK. SCREW M 6X25		10.9 A2F	DIN 912
31	26033084	1	SEAL. TAPE B050	IP 55 2)		
32	26030784	1	FRICTION PLATE B050	IP 55 2)		
33	26030984	3	COLLAR.PIN B050-BESCH.			
34	35425999	1	KEY		C 45 K	DIN 6885
35	26031584	1	ENGAGING DOG B050 SMALL			
36	34252299	1	CIRCLIP 22X1,2		FEDST	DIN 471
37	26032684	1	BRAKE DISC FB1121			
38	26032984	1	ARMATURE DSC B050			
39	26030584	1	STOP PLATE B050			
40	26021284	3	DISTANCE SPRING			
40	26031284	3	DISTANCE SPRING			
41	26031184	6	BRAKE SPRING RED	MAX. 6 OFF		
42	26035084	1	MAGNET BODY B050 180V			
43	15056599	3	HEX.NUT M 6		8 A2F	DIN 985
44	15088799	1	OIL SEAL AS 20X 40X 7		NBR	DIN- 3760
45	22871584	1	FAN WHEEL, LIGHT Z 100			
46	34251799	1	RETAINING RING 17X1		FEDST	DIN 471
47	22871084	1	FAN COVER ZB100 LONG			
48	34050599	4	WASHER 5,3		140HV A2F	DIN 125
49	31921799	4	HEXSOCK SCREW M 5X 25		10.9 A2F	DIN 912
50	26087084	1	CURRENT RELAY SE I<= 16A			
50	26089884	1	VARISTOR INSULATED			
51	31809299	2	SLO.CHE.HE. SCREW M4X30		4.8 A2F	DIN 84 22230144.tbl

1) see page 68.

2) For service in arduous conditions, galvanized brake surface.

Mannesmann Dematic AG

P.O. Box 67, D-58286 Wetter

Telephone (+49 2335) 92-0, Telefax (+49 2335) 92 76 76

Internet <http://www.dematic.com>