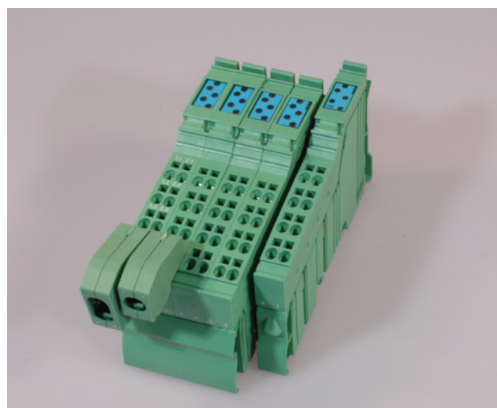


Deuschmann
your ticket to all buses

**Instruction manual
Electronic cam control
LOCON 200**



Manual Art.-No. V3492E

Foreword

This operating manual provides users and OEM customers with all the information necessary for the installation and operation of the product described in this manual.

All details contained in this manual have been checked carefully, however, they do not represent an assurance of product characteristics. No liability can be accepted for errors. DEUTSCHMANN AUTOMATION reserves the right to carry out alterations to the described products in order to improve the reliability, function or design thereof. DEUTSCHMANN AUTOMATION only accepts liability to the extent as described in the terms and conditions of sale and delivery.

All rights reserved, including translation. No part of this manual may be reproduced or processed, copied or distributed in any form whatsoever (print, copy, microfilm or any other process) without written permission from DEUTSCHMANN AUTOMATION.

Bad Camberg, March 2015

Version 4.3 dated 3.3.2015, Art.-No. V3492E
P/C: A

Copyright by DEUTSCHMANN AUTOMATION, D-65520 Bad Camberg 1994-2015

1	Introduction	9
1.1	On this manual	9
1.1.1	Symbols	9
1.1.2	Concepts	9
1.1.3	Suggestions	9
1.2	From the mechanical system to an electronic system	10
1.3	Deutschmann Automation's range of products	10
2	EMC Directives for products of Deutschmann Automation	11
3	Basic unit LOCON 200	12
4	Mechanical installation instructions	13
4.1	Installation	13
4.2	Housing dimension	13
4.3	Mounting / dismantling of the extension module	14
4.4	Connecting lines	14
4.4.1	Connecting lines without shield	15
4.4.2	Connecting shielded lines	16
4.4.3	Grounding clip	17
5	Electrical connections LOCON 200	18
5.1	Front view LOCON 200	18
5.2	Assignment X1 (communication)	18
5.3	Assignment X2 (encoder connection SSI + incremental)	18
5.4	Assignment X3 + X4 (I/Os)	19
5.4.1	Assignment X3 + X4 basic device	19
5.4.2	Assignment X3 + X4 for the connection of a parallel absolute encoder	19
5.4.3	Assignment X3 + X4 for the connection of an incremental encoder 24V	19
5.4.4	Assignment X2 - X4 for the connection of counting/direction inputs	19
5.4.5	Assignment extension module I/O 8	20
5.5	Signal description LOCON 200	21
5.5.1	Status LED's	22
5.6	External program selection	22
5.6.1	Applying the corresponding voltages.	22
5.6.2	Generating the acceptance edge	23
5.6.3	Graphical representation of program selection	23
5.7	Installation and initiation of LOCON 200	23
5.7.1	Connection of the supply voltage	23
5.7.2	Connection of the inputs and outputs	24
5.7.3	Connection of the serial RS232 interface	24
5.7.3.1	Interface-switch (up to Firmware < V3.0)	24
5.7.3.2	Interface switch (Firmware V3.0 and higher)	25
5.7.4	Connection of the DICNET bus interface	25
6	Configurations LOCON 200	26
6.1	WINLOC 32 - wizard	26

6.2	TERM 6 or Profibus	26
6.2.1	Reading and changing cam control parameters via TERM 6	26
6.2.2	Profibus	26
6.2.3	Possible error messages on the configuration	27
6.3	Configuration tree	27
6.4	Configuration example	28
6.5	Parameter table	29
6.5.1	PNR_ENCODER_TYP - Encoder type	30
6.5.2	PNR_RESOLUTION_PER_TURN	30
6.5.3	PNR_ENCODER_INVERT	30
6.5.4	PNR_LANGUAGE - language selection	30
6.5.5	PNR_DEADTIME_TYP	30
6.6	Configuration parameters LOCON 200	30
6.6.1	Inputs and logic functions	30
6.6.2	SSI interface	30
6.6.3	Incremental encoder	31
6.6.3.1	Prescaler factor at incremental encoders	31
6.6.3.2	Incremental counting/direction inputs	31
6.7	Encoder monitoring	31
6.8	Logic functions (optional)	32
6.8.1	Logic functions L200	32
6.8.2	Priorities of the logic operations	32
6.8.3	Operation mode of the shift register	32
6.8.4	Logic functions of the LOCON 200-Out I/O8	33
6.8.4.1	Example for the use of a shift register	33
6.9	Count cam	34
6.10	Direction cams	34
6.11	Run-control-output	35
6.12	Dynamical zero offset	35
6.13	Angle-time cam	35
6.14	Teach-in-cam (from firmware V3.4 on - version without PB only)	35
6.15	Offline programming	36
6.16	Data backup and documentation on PC	36
6.17	Program controller function (encoder simulation)	36
6.18	Incremental output (generation of A/B-track)	36
6.19	Mapping	37
6.20	PRESET and CLEAR	37
7	Networking terminals with cam controls and PCs	38
7.1	RS232 link	38
7.2	RS485 link (DICNET)	38
7.3	Cable type for DICNET	38
7.3.1	Earthing, shielding	39
7.3.2	Line termination at DICNET	39

7.4	Comparison DICNET - RS232	39
7.5	Connection examples	40
7.5.1	DICNET link LOCON-TERM	40
7.5.2	RS232 link LOCON - TERM	41
7.5.3	DICNET link LOCON-TERM-PC	42
7.6	Short instuction	43
8	LOCON 200 with Profibus	45
9	Commissioning and self-test	46
9.1	Commissioning of the terminal	46
9.1.1	Self-test of the terminal	46
9.2	Commissioning of the cam control	46
9.2.1	Self-test of the cam control	47
9.3	Configuration and initialization	47
9.3.1	LOCON 200 parameter table	47
9.3.2	Parameter description	48
9.3.2.1	Reverse rotational direction, encoder	48
9.3.2.2	Encoder type	48
9.3.2.3	Encoder resolution	48
9.3.2.4	Counting range (only for incremental encoders)	48
9.3.2.5	Type of idle time compensation	48
9.3.2.6	DICNET-device number (GNR)	48
9.3.2.7	Zero offset (only for absolute encoders)	49
9.3.2.8	Scaling for speed display	49
9.3.2.9	Virtual encoder value (gear factor)	49
10	Technical details	50
10.1	Technical data LOCON 200	50
10.2	Max. sum current LOCON 200	50
10.3	LOCON 100 memory structure	51
10.4	LOCON 200 memory structure - Out I/08 (expansion module)	51
10.5	Specification of the input levels	52
10.6	Specification of the output drivers	52
10.7	Estimation of the cycle time	52
10.8	Switching accuracy of the Deutschmann cam controls	52
10.8.1	Switching accuracy (cycle time) of the basis	52
10.8.2	Switching accuracy (cycle time) of IO8	53
10.9	Function of the idle time compensation	53
10.9.1	Path-dependent idle time compensation	54
10.9.2	Time-controlled idle time compensation	54
10.9.3	Direct idle time compensation	54
10.9.4	Optimization of dynamics	54
10.10	Environmental specifications of cam controls of the LOCON series	54
10.11	DICNET®	55
10.12	Communication interface	55

10.13 Coding device numbers	56
11 Error messages	57
11.1 Error number 1..19 (irrecoverable error)	57
11.2 Error number 20..99 (warning)	57
11.3 Error number 100..199 (serious error)	59
11.4 Error number 200-299 (terminal error)	60
12 Order Code	61
12.1 Cam control LOCON 200	61
12.1.1 Explanation of the order designation	61
12.2 Scope of delivery	61
12.2.1 Scope of delivery LOCON 200	61
13 Servicing	62
13.1 Returning a unit	62
13.2 Internet	63

1 Introduction

1.1 On this manual

This manual documents installation, functions and operation of the Deutschmann unit specified on the cover sheet and in the header.

1.1.1 Symbols



Particularly important text sections can be seen from the adjacent pictogram.

You should always follow this information since, otherwise, this could result in malfunctions or operating errors.

1.1.2 Concepts

The expressions 'LOCON', 'ROTARNOCK' and TERM are frequently used throughout this Manual with no further model specifications. In such cases, the information applies to the entire model series.

1.1.3 Suggestions

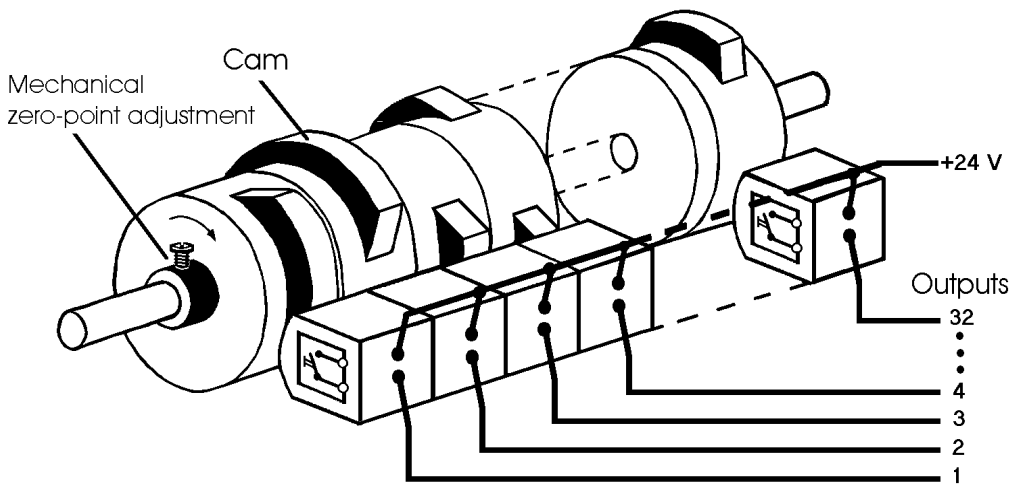
We are always pleased to receive suggestions and wishes etc. and endeavour to allow for these. It is also helpful if you bring our attention to any errors.

1.2 From the mechanical system to an electronic system

The purpose of electronic cam controls is not only to take the place of mechanical controllers but to render their function more precise and simpler, to provide a universal range of application and to reduce wear.

The mechanical cam control actuates a switch over sections of a circle, and this switch is closed over the length of this section. Such a section is defined as a "cam".

Each switch represents one output. Several circuits arranged in parallel produce the number of outputs.



Picture 1: Mechanical cam control

This basic principle has been adopted from the mechanical cam controls. A cam is programmed for an output by entering a switch-on point and a switch-off point. The output is switched on between these points.

Thanks to twenty years of experience, consistent further development and the use of ultra-modern technology, DEUTSCHMANN AUTOMATION has now become one of the leading suppliers of electronic cam controls.

1.3 Deuschmann Automation's range of products

A detailed and up-to-date overview of our product range can be found on our homepage at <http://www.deuschmann.de>.

2 EMC Directives for products of Deutschmann Automation

The installation of our products has to be carried out considering the relevant EMC directives as well as our internal instructions.

For more information see 'EMC Directives' on our homepage at <http://www.deutschmann.de>.

3 Basic unit LOCON 200

LOCON 200 is a modular cam control in industrial design for DIN-rail mounting. The basic device is made for the connection of an SSI-encoder (Singleturn or Multiturn), 13 bit parallel or for an incremental encoder for a counting area of up to 16 mio.

The cam control that can be configured by the customer as desired features 16 I/Os that can be used any way as inputs or outputs. Optionally LOCON 200 is also available with a Profibus-interface. Additionally extension modules with 8 I/Os can be ordered.



4 Mechanical installation instructions

4.1 Installation

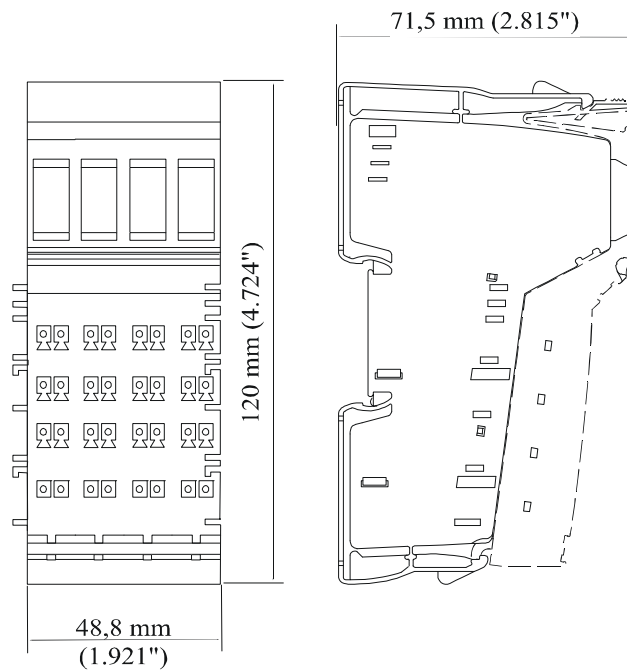
LOCON 200 is a modular cam control in industrial design for DIN-rail mounting.



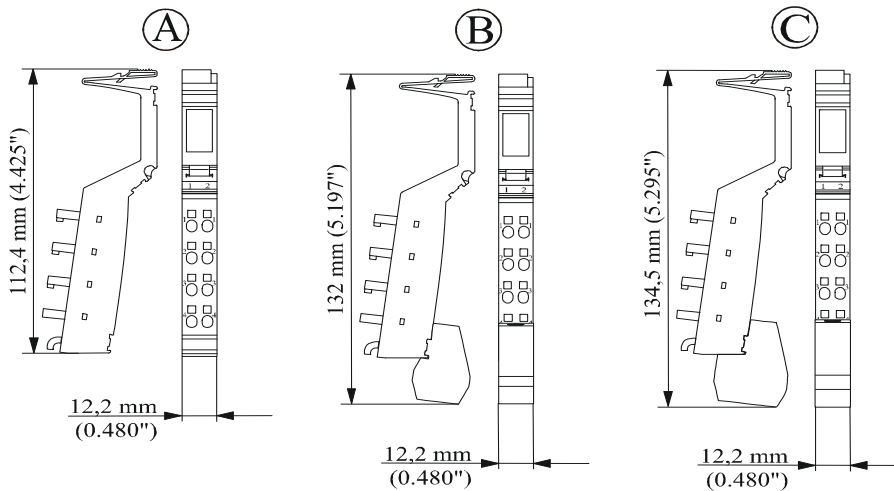
4.2 Housing dimension

The housing dimension of LOCON 200 results from the dimension of the basic unit and the dimensions of the connectors.

Housing



Connectors



Caption:

- A Standard connector
- B Shield connector
- C Bisignal connector

The depth of the connector is irrelevant since it does not affect the depth of the total housing.

4.3 Mounting / dismounting of the extension module

The extension module is exclusively meant for the use at a LOCON 200.

It is simply attached to the LOCON 200: No further tool is required to do so. By sequencing the potential and the bussignal connection between the components is automatically built up. A later exchange is possible by pulling out or plugging in without any additional tools.

4.4 Connecting lines

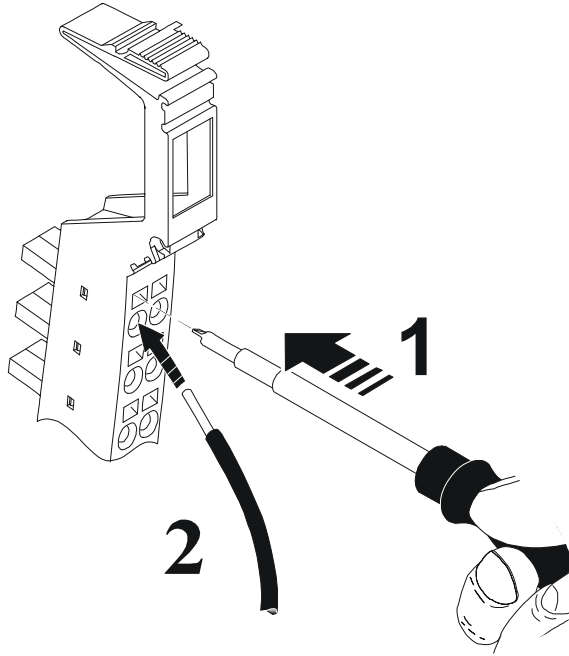
Shielded and unshielded lines are used for the device.

For the connection of the encoder or the communication a shielded line is used. The shield is connected by means of a shield connector, the encoder via the connectors X2 or X3 and X4 and the communication via the connector X1 in accordance with chapter "Electrical connections LOCON 200".

Through the tension spring connection points it is possible to connect lines with a diameter of 0.2 mm² up to 1.5 mm².

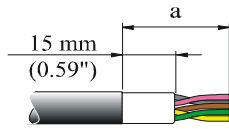
4.4.1 Connecting lines without shield

Connection example connector

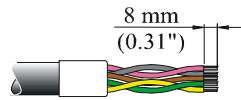


4.4.2 Connecting shielded lines

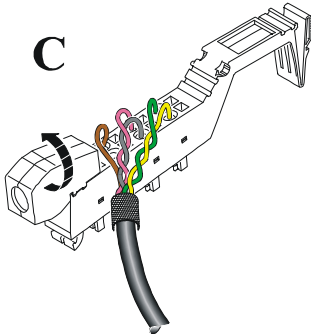
A



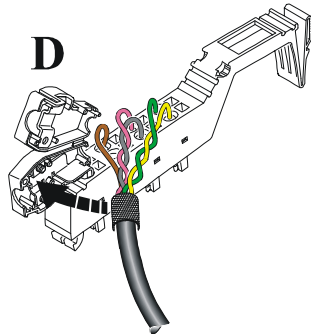
B



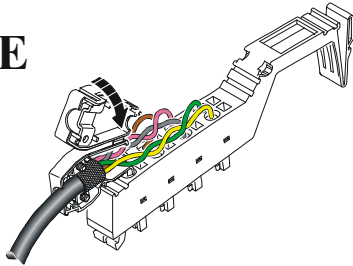
C



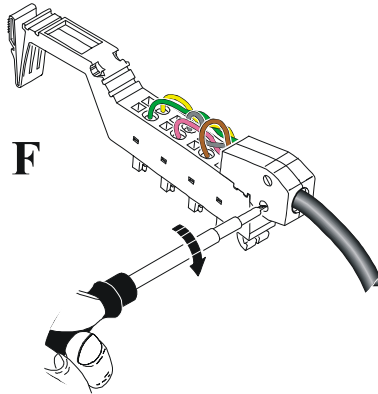
D



E

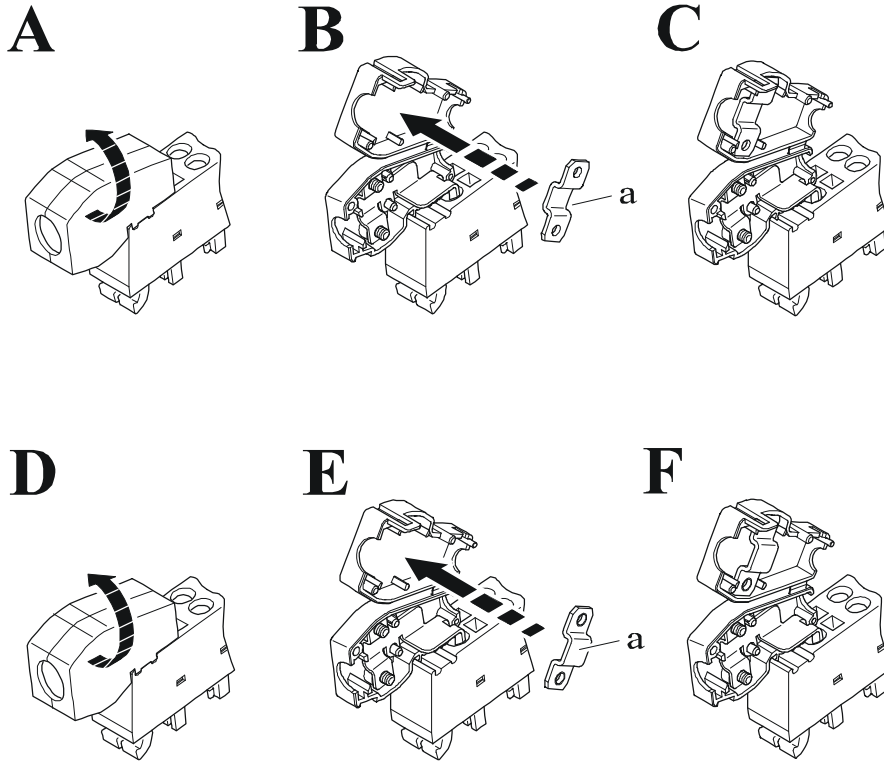


F



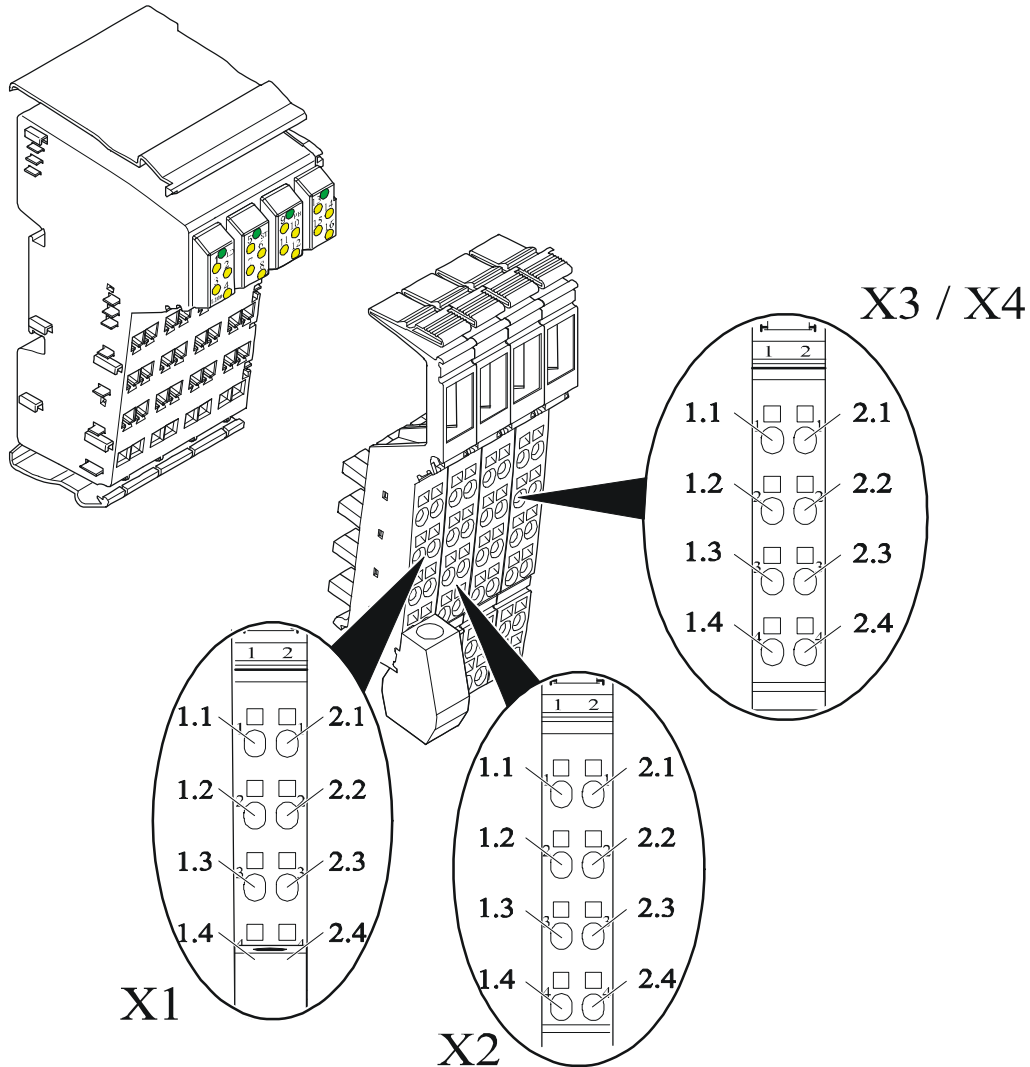
4.4.3 Grounding clip

The grounding clip in the cable screen can be used in accordance to the line cross section: When using thin lines then the curvature of the grounding clip has to be directed towards the line (see pictures D - F), for thicker lines the other way round (see pictures A - C).



5 Electrical connections LOCON 200

5.1 Front view LOCON 200



5.2 Assignment X1 (communication)

Pin	RS232		DICNET (RS485)		Profibus (optionally)	
1.1 / 2.1	+24V	Gnd	+24V	Gnd	+24V	Gnd
1.2 / 2.2	n. c.	n. c.	n. c.	n. c.	PB+	PB-
1.3 / 2.3	TxD	RxD	DIC+	DIC-	TxD	RxD
1.4 / 2.4	PE	PE	PE	PE	PE	PE

5.3 Assignment X2 (encoder connection SSI + incremental)

Pin	SSI		Ink 422	
1.1 / 2.1	+24V_Enc.	Gnd_Enc.	+24V_Enc.	Gnd_Enc.
1.2 / 2.2	Clk+	Clk-	A+	A-
1.3 / 2.3	Dat+	Dat-	B+	B-
1.4 / 2.4	PE	PE	PE	PE

5.4 Assignment X3 + X4 (I/Os)

X3 + X4 consist of 16 I/Os that can be configured any way as inputs or outputs including various signals, such as Preset, Out-Enable, external program selection and so on. Further information can be found in the chapter "Signal description LOCON 200". There are exceptions when it comes to a connection of a parallel absolute encoder or an incremental encoder with 24V-signals (see below).

5.4.1 Assignment X3 + X4 basic device

Pin	X3		X4	
1.1 / 2.1	I/O 1	I/O 2	I/O 9	I/O 10
1.2 / 2.2	I/O 3	I/O 4	I/O 11	I/O 12
1.3 / 2.3	I/O 5	I/O 6	I/O 13	I/O 14
1.4 / 2.4	I/O 7	I/O 8	I/O 15	I/O 16

5.4.2 Assignment X3 + X4 for the connection of a parallel absolute encoder

Pin	X3		X4	
1.1 / 2.1	Track 1	Track 2	Track 9	Track 10
1.2 / 2.2	Track 3	Track 4	Track 11	Track 12
1.3 / 2.3	Track 5	Track 6	Track 13	I/O 14
1.4 / 2.4	Track 7	Track 8	I/O 15	I/O 16



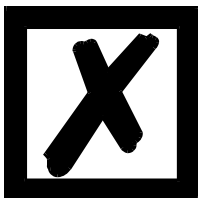
A parallel encoder is always connected „from the front“. That means the encoder's track 1 is always located on the I/O 1. If, for instance, an encoder with a resolution of 360 is connected, only 9 tracks are required. That way the tracks 10, 11, 12 and 13 are then available again as I/Os 10, 11, 12 and 13.

5.4.3 Assignment X3 + X4 for the connection of an incremental encoder 24V

Pin	X3		X4	
1.1 / 2.1	Track A	Track B	I/O 9	I/O 10
1.2 / 2.2	I/O 3	I/O 4	I/O 11	I/O 12
1.3 / 2.3	I/O 5	I/O 6	I/O 13	I/O 14
1.4 / 2.4	I/O 7	I/O 8	I/O 15	I/O 16

5.4.4 Assignment X2 - X4 for the connection of counting/direction inputs

Pin	X2		X3		X4	
1.1 / 2.1	+24V	Gnd	Counting input	Direction input	I/O 9	I/O 10
1.2 / 2.2	Clk+]	Clk-]	I/O 3	I/O 4	I/O 11	I/O 12
1.3 / 2.3	Dat+]	Dat-]	I/O 5	I/O 6	I/O 13	I/O 14
1.4 / 2.4	PE	PE	I/O 7	I/O 8	I/O 15	I/O 16



The counting input and direction input are always steadily assigned to the I/Os 1 or 2 and cannot be assigned as desired..

5.4.5 Assignment extension module I/O 8

Each extension module I/O 8 features 8 I/Os that are consecutively numbered, starting from the basis.

It results in the following assignment on the 1. extension module:

Pin	X1	
1.1 / 2.1	I/O 17	I/O 18
1.2 / 2.2	I/O 19	I/O 20
1.3 / 2.3	I/O 21	I/O 22
1.4 / 2.4	I/O 23	I/O 24

The outputs are located on the front connector pins, followed by the inputs. If, for instance, on the first extension module I/O 8 (on the right side, seen from the base unit) the number of outputs is configured to 6, then the arrangement of inputs or outputs looks as follows:

Pin	X1	
1.1 / 2.1	O 17	O 18
1.2 / 2.2	O 19	O 20
1.3 / 2.3	O 21	O 22
1.4 / 2.4	I 23	I 24

5.5 Signal description LOCON 200

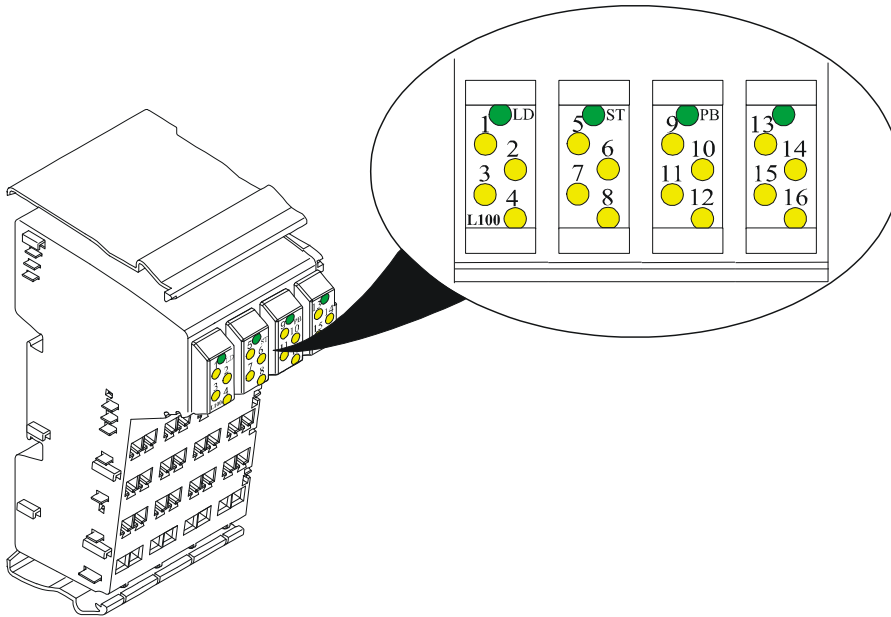
Function	Description
I/O1 ... I/O16	When using as output Each output 24V / 0.7 A positive-switching (PNP, temporarily 1A, total current max. 16A or 2 x 16A when using an extra input clamp (see INLINE-component system)), short-circuit-proof
I/O1 ... I/O16	When using as input 24V (max. 10 mA) each input
+24V	24V-voltage supply of the complete device including output driver
Gnd	Ground potential of the complete cam control.
TxD-LOCON	RS232-transmission line
RxD-LOCON	RS232-receive line
DIC+, DIC-	Data line for networking via the DEUTSCHMANN-bus system DICNET® (see also chapter "DICNET®")
PB+, PB-	Profibus data lines PB+ = signal B or red PB- = signal A or green
CLK+, CLK-	RS422-clock line pair for SSI-connection
DAT+, DAT-	RS422-data line pair for SSI-connection
DIC+, DIC-	Data line for networking via the DEUTSCHMANN-bus system DICNET® (see also chapter "DICNET®")
Track 1 - track 13	24V-input (max. 10mA) for encoder leads when using absolute encoders up to 8192 inf./rev. with parallel output
Track A	Connection of track A when using an incremental encoder 24V
Track B	Connection of track B when using an incremental encoder 24V
A+, A-	RS422-track A-pair of the incremental encoder
B+, B-	RS422-track B-pair of the incremental encoder
Preset 1, Preset 2*	As soon as one of the two signals becomes active, the counter level will be set to the preset value and it is kept on that value until the condition disappears again. The polarity is adjustable, i. e. if high active or low active.
CountEnable+*	At 24V this signal unlocks the meter, provided that it is mapped. In case 0V are applied at this lead, then the meter reading is frozen. The speed measurement and with it the idle time compensation keeps on running during this time. This signal is evaluated with an accuracy of $\pm 0.5\text{ms}$.
OutEnable+*	With this signal the outputs can be switched on or switched off when using an incremental encoder. With 0V or unwired the outputs are deactivated, in case of 24V the outputs are set in accordance with the programmed cams. The response to a signal change is carried out with an accuracy of $\pm 0.5\text{ms}$.
ProgNo 1 ... ProgNo 128*	In case of an external program selection the program number is applied to these pins. The coding is in binary form according to chapter "Coding device numbers"
ProgStart*	If 24V are applied to this pin, the program number is accepted at the pins ProgNo1 to ProgNo64 (see above)
ProgEnable*	If 24V are applied to this pin, all parameter changes (incl. change in configuration) are allowed in LOCON. For further details see chapter 'Programming enable'.
Dynamic zero offset*	This input serves to set the zero point during operation (only with absolute encoders).
Run-control-output*	Signal to present the status of the cam control
Incremental output*	Two outputs to generate an A/B-signal
nc	Not connected

*) These signals are distributable on the I/Os as desired.



*) These signals have to be applied for at least 1ms!

5.5.1 Status LED's



LED	Color	Meaning	State	Description of the states
1	Green	State I/O 1	Off	I/O is not set
:		:	On	I/O is set
:		:	Off	:
16		State I/O 16	On	:
LD	Red	Overload	Off	Device active, no overload on the outputs
			On	Overload on the outputs
ST	Green	State	Off	Device without voltage or not operational
			On	Device active
			Flashing	Error indication
PB	Red	PB-error	Off	PB active (state: data exchange)
			On	No data exchange active
PB	Red	Diagnosis	Off	No error present.
			On	Error present.

5.6 External program selection

For external program selection, the new program must be applied in the form of a binary code (see chapter "Coding device and program numbers") at the connector strip and **then** a leading edge must be generated at pin "ProgStart", whereby the High level (24V) must be held for at least 200 ms.

The following steps are required if, for example, program 7 (binary 00000111) is to be activated:

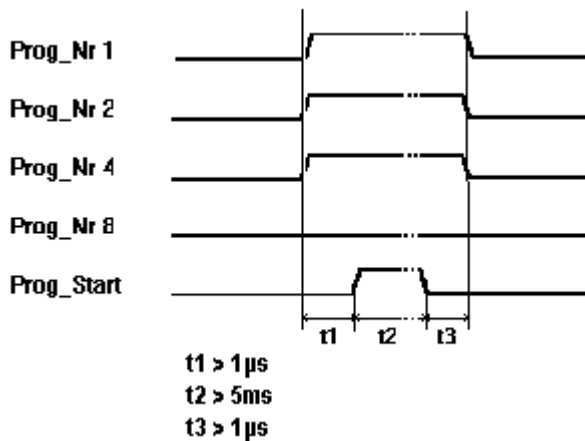
5.6.1 Applying the corresponding voltages

PIN	Volt	Binary
PROG_NR128	0	0
PROG_NR64	0	0
PROG_NR32	0V	0
PROG_NR16	0V	0
PROG_NR8	0V	0
PROG_NR4	24V	1
PROG_NR2	24V	1
PROG_NR1	24V	1

5.6.2 Generating the acceptance edge

PIN	Volt
PROG_START = 24V	24V
Wait 5ms	
PROG_START = 0V	0V

5.6.3 Graphical representation of program selection



Picture 2: Program selection

The program can be changed any time using the connector strip.



If pin "PROG_START" is permanently wired to 24V, LOCON accepts the program applied externally each time the unit is powered up.

5.7 Installation and initiation of LOCON 200



The screw-type plug connectors of the LOCON must be plugged in and unplugged only with the power supply disconnected!!!

5.7.1 Connection of the supply voltage

The supply voltage is 24V +/- 20% that is applied to pins "24V DC". The reference ground is wired to "GND". The LOCON requires maximum 200 mA when not under load and not including encoder power supply.

The corresponding inputs and outputs must be wired before switching on the supply voltage in order to avoid malfunctions.



The typical voltage at the outputs and for the encoder supply is:
Supply voltage -1V; that means: is the device being supplied with 24V DC,
then the typical output- and encoder voltage is 23V DC!

5.7.2 Connection of the inputs and outputs

LOCON features up to 144 I/Os, depending on version and capacity stage.

Absolute or incremental encoders are used as the machine's sensors. These encoders are connected at pins "Track1" to "Track12" on encoders with parallel outputs, "CLK+", "CLK-" and "DAT+", "DAT-" on SSI encoders or "TrackA" and "TrackB" on incremental encoders.

The encoders' power supply is provided via pins "+24V_Enc" and "GND_Enc" on X2.

24V must be applied to pin "ProgEnable" for programming enable (for example, via a key-operated switch) if it is configured.

Pins "ProgNo1" to "ProgNo128" and "ProgStart" must be wired only if external program switchover is to occur (for example, via a PLC).

The outputs and the encoder are powered jointly with the **24V power supply of the total unit**.

The outputs of LOCON 24 are positive-switching 24V, i. e. an active output has a level equal to the supply voltage less 1V by comparison with GND. An output which has been reset has high impedance.

The outputs are short-circuit-proof and may drive maximum 700 mA (1A for a short period of time) each output

In the event of a sustained short circuit or overload, the corresponding outputs are deactivated and a corresponding error message is shown on the display.



Free-wheeling diodes must be provided directly on the inductors if switching inductors (coils and valves) (see chapter "EMC Directives for products of Deuschmann Automation").

5.7.3 Connection of the serial RS232 interface

The RS232 interface is connected via the plug connector at plug X1.

When connecting, please ensure that the TxD and RxD signals of LOCON and the connected unit are reversed (e. g.: Connect TxD LOCON to RxD PC) and that the "GND" reference potentials of both units will be connected.

5.7.3.1 Interface-switch (up to Firmware < V3.0)

The interface-switch is located under the sticker with the print RS232/RS485. In the state of delivery the position of the switch is indicated by the mark on the sticker. The position of the requested interface can be seen from the sticker at the back of the device.

For switching please use a suitable tool and carefully shift the microswitch to the left or the right. Attach a new sticker with the corresponding mark.

5.7.3.2 Interface switch (Firmware V3.0 and higher)

From Firmware version V3.0 on the state of delivery is RS232!

The interface switch is not carried out through a changeover switch any more. Now two possibilities are available.

1. The interface switch is made through WINLOC32.

For it you can select in the configuration of the upload file "Interface's operation mode":

"RS232"

"Dicnet/Term_off" (DICNET without bus termination)

"Dicnet/Term_on" (DICNET with activated bus termination)

2. The interface switch is made through the setting of the rotary coding switches located at the bottom side. Here the following adjustment applies (of the „high“ rotary switch):

Fx: Interface is always RS232 (even when something different is selected in WINLOC)

Ex: DICNET with activated bus termination (x = Dicnet ID)

Dx: DICNET without bus termination (x = Dicnet ID)

Practical advice: For RS232 -> set both rotary switches to "FF"

5.7.4 Connection of the DICNET bus interface

The DICNET bus (see chapter "DICNET®") is connected via the screw-type plug connector at plug X1.

All "DIC+" signals are interconnected and all "DIC-" signals are interconnected on the bus. The signals are not reversed.

However, it must be ensured that the potential differences between the DICNET users do not exceed 7V.



Please always follow the information in chapter "RS485 link (DICNET)"!

6 Configurations LOCON 200

LOCON 200 is a cam control that can be configured as desired.

There are two ways to integrate the desired performance characteristics into LOCON 200.

6.1 WINLOC 32 - wizard

After uploading the basic configuration from the device a wizard is started via the function "Reconfigure" that leads the user through the configuration menu.

With it a predefined sequence is kept, where the LOCON 200 can be adjusted to the relevant requirements step-by-step.

6.2 TERM 6 or Profibus

All alterable parameters can directly be selected either through the configuration menu in TERM 6 or Profibus via communication profile. Here the same sequence as for the WINLOC 32-wizard has to be kept in order to avoid configurations that are not plausible.

In LOCON 200 the following performance characteristics can be configured through a PC with the WINLOC 32®-software.

6.2.1 Reading and changing cam control parameters via TERM 6

All cam control parameters that can be reached via the communication profile with GET/SET-PARAMETER can be read and changed via a "menu point" that is integrated in TERM 6.

Starting from the main menu the keys **+** and **-** are pressed for the same time period. Thereupon the function LED shines and a 1 (current parameter number) appears on the display.

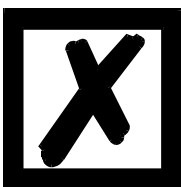
Now this number can be changed with **+** and **-**. (see parameter table in chapter 6.5)

If, for instance, the virtual encoder value is to be read / changed, please select (see parameter table in the manual communication profile) the number 19 (corresponds to 13H = PNR_SCALED_ENCODER_RES). Confirm with **Enter** and the encoder resolution of the con-

ected cam control is displayed (e. g. 1000). To change this value, please press **Enter** again (long). Then the Prog-LED and the Function LED start to flash. Now the value can be changed with **+** or **-**. Then by pressing **Enter** the new value is loaded into the cam control, the value

is rejected with **Esc**.

Special parameters in X-options can also be handled as described in this chapter.



Important:

Before the configuration the device should not contain programmed data. After the configuration the device has to be restarted so that the changes will be applied. Restarting the device may take a while.

6.2.2 Profibus

The configuration via Profibus is carried out directly through the 'Communication profile for Deutschmann cam controls' (see corresponding instruction manual with the art.-no.: V2064E).

6.2.3 Possible error messages on the configuration

In case of a wrong application during the configuration might result in error messages:

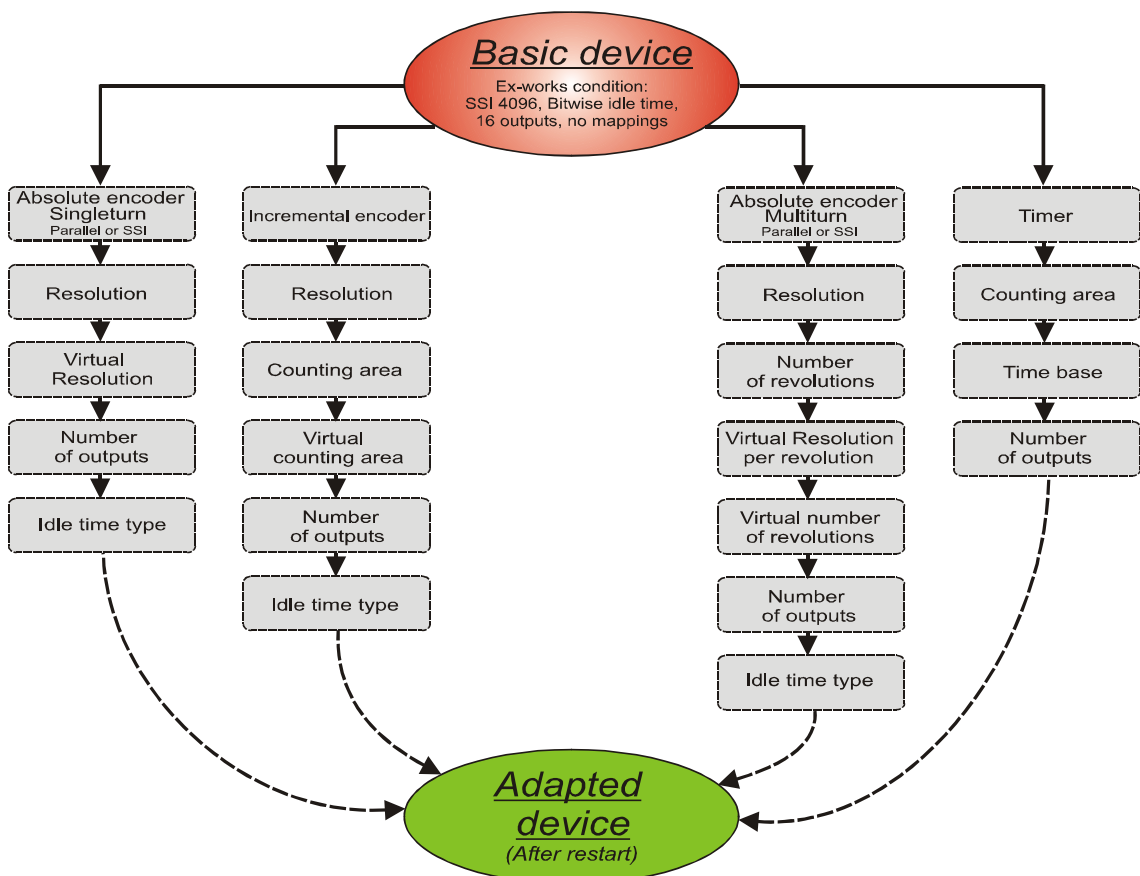
E34 -> Changing the parameter invalid

E36 -> Parameter not present

E37 -> When programming an angle-time-cam greater than output 16

6.3 Configuration tree

Based on the basic device the encoder type is selected first. The following parameters depend on the chosen encoder type. Therefore it is required to keep the predefined order of the configuration tree.



6.4 Configuration example

Based on the ex-works condition (SSI-encoder with 4096 inf./rev., bitwise idle time and 16 outputs) a device for an absolute encoder parallel with 360 inf./rev., a virtual resolution of 1000, blockwise idle time and 7 outputs is to be configured.

	Profibus	TERM 6	Possible choice	Choice
Basic device	Via communication profile with Get-, Set-parameter commands (indication hexadecimal)	Through number in the configuration menu (press keys "+" and "-" at the same time (indication decimal))	Possible configuration	
Encoder type	0x0010	16	1 = Absolute parallel 2 = Incremental 24V 3 = Absolute SSI 5 = Timer 6 = Multiturn SSI 7 = Incremental 24 bit-24V 8 = Incremental 422 9 = Incremental 24 bit-422 10 = Timer 24 bit	1
Resolution	0x0011	17	<u>Absolute parallel:</u> 360, 512, 720, 1000, 1024, 2048, 3600, 4096, 8192 <u>SSI:</u> 360, 512, 720, 1000, 1024, 2048, 3600, 4096, 8192 <u>Incremental</u> 2... 8192	360
Virtual resolution	0x0013	19	2... 32500 (ST) 2... 24 bit (MT)	1000
Number of outputs	0x0020	32	Max. 48 with extension module Less (depending on the encoder type)	7
Idle time type	0x0032	50	0 = None 1 = Blockwise 2 = Bitwise 3 = Blockwise on/off 4 = Bitwise on/off	1
End				

Note: After the configuration the device has to be restarted.

6.5 Parameter table

This Parameter table is used by the commands GET_PARAMETER and SET_PARAMETER.

Command's name	Command's value	Parameter number in config-menu of TERM 6	Meaning	Explanation
PNR_SOFT_REV	0x0001	1	s. PNR_HARD_REV	
PNR_HARD_REV	0x0002	2	ASCII z. B: '3' '1' '2' '1' = V3.12t - gives back the soft- or hardware version	
PNR_UNIT_NAME	0x0003	3	ASCII i. e. 'L' '4' '8' "" = L48	
PNR_UNIT_TYP	0x0004	4	Device type	
PNR_VNUMBER	0x0005	5	Article number	
PNR_SN	0x0006	6	Serial number	
PNR_OPTION_X	0x0007	7	Option X	
PNR_ENCODER_TYP	0x0010	16	Encoder type	chapter 6.5.1
PNR_RESOLUTION_PER_TURN	0x0011	17	Real-resolution per revolution	chapter 6.5.2
PNR_NUMBER_OF_TURNS	0x0012	18	Real-number revolution	
PNR_SCALED_ENCODER_RES	0x0013	19	Virtual encoder value	
PNR_ENCODER_INVERT	0x0014	20	Reversal of rotational direction	chapter 6.5.3
PNR_SCALED_COUNT_RANGE	0x0017	23	Virtual count range	
PNR_COUNT_RANGE	0x0018	24	Counting area at incremental encoders	
PNR_COUNT_RESTORE_VALUE	0x0019	25	At X 16: = brake point	
PNR_TIMEBASE	0x001C	28	Time basis at Timer	
PNR_DEADTIME_BASE_US	0x001D	29	Time unit for idle time compensation in μ s (if not defined -> 1000 μ s)	
PNR_NUMBER_OUTPUTS	0x0020	32	Number of outputs	
PNR_NUMBER_LOCK_OUTPUTS	0x0021	33	Number of locked outputs	
PNR_NUMBER_DATA_RECORDS	0x0022	34	Number of data records	
PNR_NUMBER_LOGIC_INPUTS	0x0023	35	Number of Logic inputs	
PNR_NUMBER_ANGLE_TIME	0x0024	36	Number of angle/time outputs from output 1	
PNR_NUMBER_OUTNAME_CHAR	0x0025	37	Output names	
PNR_NUMBER_PROGRAMS	0x0026	38	Number of programs	
PNR_NUMBER_AXIS	0x0027	39	Number of axes	
PNR_NUMBER_ANALOGOUTPUT	0x0028	40	Number of analog outputs	
PNR_NUMBER_COUNTERCAM	0x0029	41	Number of counter cams	
PNR_FIRST_OUTPUT_NR	0x002A	42	Counting starts at 1	
PNR_SPEED_SCALE	0x0030	48	With reference to rev./ms =>60000 = rev./min 0...9999 (rev./s)	
PNR_LANGUAGE	0x0031	49	Language	chapter 6.5.4
PNR_DEADTIME_TYP	0x0032	50	ITC-type	chapter 6.5.5
PNR_ZEROPOINT_OFFSET	0x0033	51	Scaled preset value at inc.	
PNR_ACTIV_PROGMR	0x0034	52	Active program	0..max program -1
PNR_ACTIV_AXIS	0x0035	53	Active axis	1..max AxisNo.
PNR_CALC_SPEED_START	0x0036	54	IdleStart scaled	
PNR_CALC_SPEED_STOP	0x0037	55	IdleStop scaled	
PNR_DICNET_ID	0x0038	56	Actual value (PLS = 80..95), RS232 = 232	
PNR_CLEAR_LENGTH	0x0039	57	Length clear pulse	
PNR_BREAK_PARA	0x003A	58	(BrakeA*0x10000) + BrakeB	
PNR_OUTPUT_OFF_SPEED	0x003B	59	Speed-threshold value below which the outputs are switched off	
PNR_WZ_MAXTIME	0x003C	60	Time in ms	
PNR_WZ_TIMEBASE	0x003D	61	Time in μ s	
PNR_V_LIMIT	0x003E	62	M13 = 1, if V_LIMIT is exceeded	
PNR_DREHSCHALTER	0x003F	63	Read switch position	
PNR_RESTART	0x004E	78	Warmstart with value 1:0x1234 -> 2:0xEDCB	
PNR_CLEAR_EEROM	0x004F	79	General deletion: 1: 0x1234 -> 2:0xEDCB	
PNR_STATUS_FLAGS	0x0050	80		
PNR_PROC_OUT_MAPPING	0x0051	81	Mapping of the process data in the Fieldbus	
PNR_PROC_IN_MAPPING	0x0052	82	Mapping of the process data in the Fieldbus	
PNR_USED_EEROM_LEN	0x0053	83	Actual used EEROM length	
PNR_S7_MODE	0x0054	84	1 = S7 do not copy data into the EEROM	
PNR_RESET_EEROM	0x0055	85	Set to set in factory 1:0x1234 -> 2:0xEDCB	
PNR_CYCLETIME	0x0056	86	Read cycle time	
PNR_AKTIV_STATUS	0x0057	87		
PNR_PROC_LOAD	0x0058	88	Processor utilization	
PNR_ENABLE_OPTION	0x0059	89	Release of options	
PNR_TEACH_IN_ZEROPOINT	0x0060	90	Teach-in zero offset	
PNR_ENABLE_TESTMODE	0x005B	91	With 0x1234 -> Switch to testmode	

6.5.1 PNR_ENCODER_TYP - Encoder type

- 1 = Absolute encoder parallel gray
- 2 = Incremental encoder
- 3 = Absolute encoder SSI gray
- 5 = Timer
- 6 = Multiturn-SSI
- 7 = Incremental 24-bit
- 8 = Incremental 422
- 9 = Incremental 24 bit-422
- 10 = Timer 24 bit

6.5.2 PNR_RESOLUTION_PER_TURN

Absolut parallel gray: 360, 512, 720, 1000, 1024, 2048, 3600, 4096, 8192
 SSI gray: 360, 512, 720, 1000, 1024, 2048, 3600, 4096, 8192
 Incremental: 1024, 4096, 8192

6.5.3 PNR_ENCODER_INVERT

- 0 = Normal
- 1 = Inverted

6.5.4 PNR_LANGUAGE - language selection

- | | |
|-------------|-------------|
| 0 = German | 5 = Flemish |
| 1 = English | 6 = Dutch |
| 2 = French | 7 = Swedish |
| 3 = Italian | 8 = Finnish |
| 4 = Spanish | 9 = Danish |

6.5.5 PNR_DEADTIME_TYP

- 0 = None
- 1 = Blockwise
- 2 = Bitwise
- 3 = Blockwise, separate switch-on and switch-off idle times

6.6 Configuration parameters LOCON 200

The following performance characteristics can be configured at LOCON 200.

6.6.1 Inputs and logic functions

Chapter "Logic functions (optional)" contains a detailed description. Beyond it all marked signals (see chapter "Signal description LOCON 200")

6.6.2 SSI interface

The SSI-clock frequency is 400 kHz. This results in a maximum cable length of the encoder connection of 50 m.

Three different kinds of SSI-absolute encoders are supported:

1. Singleturn with a resolution of up to 13 bit (8192)
2. Multiturn with a resolution of 24 bit (4096 x 4096).
3. Multiturn with a resolution of 25 bit (8192 x 4096).

Please note that the evaluation here takes place as for a 24 bit-encoder - that is 4096 x 4096. The SSI-interface's assignment can be found in chapter "Electrical connections LOCON 200".

6.6.3 Incremental encoder

Alternately, an incremental encoder with any resolution can be connected to LOCON 200, whereby the limit values specified in the technical data must be observed. 24V- and RS422-incremental encoders with two of each 90°-offset tracks A and B are supported, wired in accordance with the chapter "Electrical connections LOCON 200".

6.6.3.1 Prescaler factor at incremental encoders

If a resolution that exceeds the device's counting area is required, then a prescale factor can be built-in, which allows to count only every nth input increment. That way also an application with several revolutions can be realized even with a low resolution and a small counting area.

Example:

A plant is equipped with an incremental encoder (resolution 8192 inc./rev.) and a LOCON 200 (counting area 8192). The application comes to an end after four revolutions of the encoder. Since, however, after one revolution the end of the counting area would be reached, this application would not function like this.

In order to avoid that problem a prescaler factor with the value „4“ is programmed. With it only every fourth increment of the encoder is counted. Therefore the cam control jumps again to „0“ after the fourth revolution only.

6.6.3.2 Incremental counting/direction inputs

(starting with Firmware V3.61 - version without PB only)

An incremental counter can be evaluated through a corresponding wiring of the counting input on PIN I/O1 and direction input on PIN I/O2. With each rising edge at PIN I/O1 it is counted forwards by one pulse. In case the input I/O2 is assigned to 24V, then it is counted backwards, otherwise forwards. To activate this mode the signal "DAT+" has to be jumpered with "CLK+" and "DAT-" with "CLK-" at X2 (see also chapter "Assignment X2 - X4 for the connection of counting/direction inputs"). In WINLOC or in the configuration "INK(24V)" or "INK-MT(24V)" has to be selected as encoder. The counting frequency must not exceed 1kHz in that mode, that means each level has to be wired to the input for at least 1ms.

6.7 Encoder monitoring

A 'genuine' encoder monitoring can be configured for Singleturn-applications. It compares the encoder value read in each cycle with the value read in before and generates an Error 105 if a deviation greater than +/- 7 increments has been detected for a period equal to eight times the cycle time. This procedure reliably detects a defective encoder or a damaged cable, but brief interference on the encoder line does not result in an error message.

From Firmware \geq 3.2.1 on the number of increments (3, 7, 15, 31, 63 and 127) can be set through WINLOC32.

Note:

The most significant encoder track (MSB) cannot be monitored, since the encoder (in case the MSB is defective) acts as if it would permanently jump back and forth between 0...1/2 encoder resolution.

Error 100 is not suppressed if the encoder is not connected on units for absolute shaft encoders with a resolution of 360 or 1,000 increments featuring this option.

6.8 Logic functions (optional)

The logic function can be activated and programmed via the Software WINLOC32.

6.8.1 Logic functions L200

The first 16 external hardware outputs of the cam control and 16 internal outputs (markers; 'M' on the display) can be programmed and assigned with a switch-off delay time if necessary (outputs 1..8). Each output and marker may consist of a maximum of any three logic operations (AND, OR, AND_NOT, OR_NOT) and 4 operands. The following operands for the logic functions can be used:

- 16 external hardware inputs (E01..E16)
- 16 internal cam outputs (N01..N16)
- 16 internal markers (M01..M16)
- A 32-bit shift register

The outputs and markers may be inverted.



The logic of the LOCON 200 - Basis can not be linked with the LOCON 200-Out I/O8.

Special instruction for Profibus-interface:

For an operation via the Profibus-interface the logic inputs can be read in either via the I/Os or the Profibus.

In the GSD-files three options are available for it:

- Proc.Data: all inputs are read in via the I/Os
- Proc.Data, Logic16: all inputs are read in via Profibus
- Proc.Data, Logic8: the inputs 1-8 are read in via Profibus and the inputs 9-16 via the I/Os

6.8.2 Priorities of the logic operations

Execution always takes place from left to right. There are no priorities.

Time and the edge for triggering can be defined for the outputs 1 to 8, i. e. the output is switched off only after the entered time. (Power off delay) The time starts with the selected edge and is restarted (re-triggered) with each trigger condition.

6.8.3 Operation mode of the shift register

The parameters of the shift register "data, pulse and reset" are firmly assigned to the upper markers.

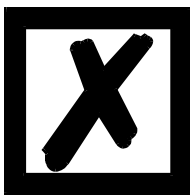
Here the following assignment applies:

- M16 = Shift register - Reset, if 1
- M15 = Shift register - Data input
- M14 = Shift register - Pulse (leading edge)

6.8.4 Logic functions of the LOCON 200-Out I/O8

The first 8 external hardware outputs of the cam control and 8 internal outputs (markers; 'M' on the display) can be programmed and assigned with a switch-off delay time if necessary (outputs 1..8). Each output and marker may consist of a maximum of any three logic operations (AND, OR, AND_NOT, OR_NOT) and 4 operands. The following operands for the logic functions can be used:

- 8 external hardware inputs (E01..E8)
 - 8 internal cam outputs (N01..N8)
 - 8 internal markers (M01..M8)
 - A 32-bit shift register
- The outputs and markers may be inverted.



The logic of the LOCON 200-Out I/O8 can not be linked with the LOCON 200-Basis.

Special instruction for Profibus-interface:

For an operation via the Profibus-interface the logic inputs can be read in either via the I/Os or the Profibus.

Operation mode of the shift register of the LOCON 200-Out I/O8

The parameters of the shift register "data, pulse and reset" are firmly assigned to the upper markers.

Here the following assignment applies:

- M8 = Shift register - Reset, if 1
- M7 = Shift register - Data input
- M6 = Shift register - Pulse (leading edge)

6.8.4.1 Example for the use of a shift register

Referring to bottle manufacturing the finished product has to be analyzed for various criterions. Therefore the bottles are handed over to a rotary table. For the examination they are placed in a mechanically fixed position, in order to be driven past the different inspection equipment. The initialization of the test equipment is carried out through the standard outputs of the cam switch unit.

Since it can always happen that no bottle is available when it comes to the supply of the part under test, for instance due to a tailback on the feed belt or when a batch is coming to an end, this would result in an error message of the camera. A possibility to avoid this is to use the shift register integrated in the cam control. It would be, to place an approximating pick-up at any test position and to report the existence of a bottle to the test equipment. In order to realize that possibility, one single approximating pick-up at the intake to the rotary table is required. The information about the existence of a specimen is reported from the approximating pick-up through the input of the cam switch unit to the shift register. Each Bit of the shift register corresponds to taking up one bottle in the rotary table. A binary One in the shift register shows the existence of a bottle, whereas a Zero indicates the lack of a bottle. The Bit, that corresponds to the position of the inspection equipment, is now linked to the output of the cam switch unit with an AND-connection, so that the camera belonging to it will only be triggered, in case a bottle for the inspection is actually available.

6.9 Count cam

The user has the possibility to have switched a certain output only on the revolution set by himself (1... 32). The count cam is realized through the logic function.

Following please find an example that shows the output 1 only switches every fifth 5 revolution:

- A1 (output1)** = N1 and M1
- M1** =N1 and M1 or M16
- M14** = N1
- M15** = N1
- M16** =S5 (5. revolution)

6.10 Direction cams

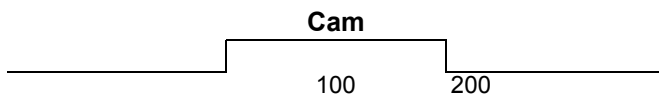
This function allows to define, for each output, with what direction of rotation the outputs are to be switched. Three options (per output) can be used:

- Switching in both directions
- Switching in positive direction only
- Switching in negative direction only

The evaluation only takes place at the cams' edges, that means, in case the control detects an edge (switch on- or switch off edge) the output is always updated whenever the direction of rotation corresponds to the programmed direction.

Example:

set direction for direction cams →



Driving direction	Position	OUT	Comment
→	100	HIGH	Edge is detected, direction is evaluated, output switched
→	200	LOW	Edge is detected, direction is evaluated, output is switched off
←	199	LOW	Edge is detected, direction is evaluated, output is not updated
← 99		LOW	Edge is detected, direction is evaluated, output is not updated
→ 100		HIGH	Edge is detected, direction is evaluated, output is set

In the first cycle after switching on the device and after each program change, all outputs are updated (independent of the programmed direction), that means, in this cycle the LOCON acts like a cam control without direction cams.

Afterwards an update of the outputs only takes place if the encoder's direction of rotation corresponds to the programmed direction of the output and a cam edge (switch on- or switch off-point) is present.



In the first cycle after switching on the device, it acts like a cam control without direction cams!

6.11 Run-control-output

It is possible to assign a run-control-function to an output. In normal operation the output constantly provides 24V here. In case of an error the output drops to 0V.

This function can be mapped as desired to any output of the basic module (output1-16).

From Firmware version V3.55 on and current WINLOC32 it is possible to change the run control type from "static" to "flashing" (500ms). In this case the output changes from 24V to 0V every 500ms

6.12 Dynamical zero offset

Besides the static zero offset (NPV) a dynamical zero offset can be programmed in LOCON 200. During operation through an initiator signal the position can be offset to „0“ at any position of the encoder via an input that can be mapped as desired.

Here it has to be considered that activating the dynamical zero offset results in the fact that the value of the static zero offset will be set to zero and cannot be used any more.

The dynamical zero offset is cancelled by deleting the mapping.

6.13 Angle-time cam

Optionally LOCON 200 also supports angle-time cams. The switch-on point is dependent on the angle, the switch-off point is defined by a time period (1 through 32500 ms).

Please note that an idle time compensation of angle-time cams is not possible.

Note: The switch-on point and the duration must not have the same value.

-> Otherwise: Error 22.

6.14 Teach-in-cam (from firmware V3.4 on - version without PB only)

In the configuration field WINLOC 32 of LOCON 200 a new entry "number of teach-in-inputs" is now available. In the state of delivery this value is set to 0 and it is possible to adjust this value between 0 and 8; i. e. up to 8 teach-in inputs can be configured.

If a value, larger than 0 is selected here, then 2 additional lines appear in the configuration menu:

- "First teach-in-input" (the available inputs are offered here)
- "First teach-in-outputs" (the available outputs are offered here)

So the first input that is supposed to work as teach-in-input is defined. If more than 1 teach-in-input are configured, then these are the directly following inputs after the first teach-in-input.

The first teach-in-output to be defined is the output, on which the cam is set, that is programmed via the first teach-in-input. Here as well the directly following outputs are those outputs that were programmed at teach-in-inputs higher than 1.

Example:

- "Number of teach-in-inputs: 3"
- "First teach-in-input: 7"

- "First teach-in-output: 16"

The cam that is programmed via the teach-in-input 7 is assigned to the output 16.
The cam that is programmed via the teach-in-input 8 is assigned to the output 17.
The cam that is programmed via the teach-in-input 9 is assigned to the output 18.

With the rising edge at the teach-in-input (transition 0V -> 24V) the cam's switching point is defined, with a falling edge (transition 24V -> 0V) the cam's release operating point is defined. Switching points and release operating points are the positions, that are read-in by LOCON 200 at the time of the edge change.

The edge detection requires 50ms; i. e. after an edge change the level has to be held at least for 50ms, so that it is identified correctly and disturbing pulses will be filtered out.

In case there are several cams on the selected output, then with every teach-in always only the first cam is changed. The rest of the cams remain unchanged.

6.15 Offline programming

It is possible to program the LOCON offline on a PC without the unit itself having to be connected to the PC when programming.

The program package "WINLOC32" which runs on any PC with WIN95/98, WIN-NT, WIN2000, WIN-ME or WIN-XP is used for this purpose.

After programming, the data can then be transferred to the LOCON via the PC's serial port.

It is also possible to transfer existing programs from LOCON to the PC, change these programs on the PC and then re-load them back into the cam control.

The WINLOC32 program package is available free of charge from our sales agents. You can also download the software from our homepage.

6.16 Data backup and documentation on PC

The possibility of a data backup and documentation on a PC is also available. This is a part of the "WINLOC32" program package (see above).

This allows you to back up programs of LOCON to a PC's hard disk or floppy disk, to comfortably print and also reload the programs.

Note:

The complete programming (configuration of cam controls, cams, ...) will be lost when a firmware update of the IO8-module is carried out.

In any case you should make a data backup with WINLOC32 PRIOR TO the firmware update and then download this data backup again afterwards.

6.17 Program controller function (encoder simulation)

LOCON can also be configured as a program controller (timer). In this case, it behaves in the same way as an incremental cam control. However, the count is changed not via an external incremental encoder (see above) but via an internal timebase (which can be set from 1 ms to 65535 ms).

6.18 Incremental output (generation of A/B-track)

Via WINLOC32 two A/B-tracks can be generated, like those of an incremental encoder, which are generated at the outputs of the LOCON. In this case both tracks can be mapped on any two outputs.

The length of the increments themselves, the amount of the increments between track A and track B as well as the Offset can be set here.

6.19 Mapping

In LOCON 200 the following input and output signals (see also chapter "Signal description LOCON 200") can be distributed as desired among the I/Os of the basic device via a mapping in WINLOC32:

Function	Significance
Preset 1, Preset 2*	As soon as one of the two signals becomes active, the counter level will be set to the preset value and it is kept on that value until the condition disappears again. The polarity is adjustable, i. e. if high active or low active.
CountEnable+*	At 24V this signal unlocks the meter, provided that it is mapped. In case 0V are applied at this lead, then the meter reading is frozen. The speed measurement and with it the idle time compensation keeps on running during this time. This signal is evaluated with an accuracy of $\pm 0.5\text{ms}$.
OutEnable+*	With this signal the outputs can be connected or disconnected when using an incremental encoder. With 0V or unwired the outputs are deactivated, in case of 24V the outputs are set in accordance with the programmed cams. The response to a signal change is carried out with an accuracy of $\pm 0.5\text{ms}$.
ProgNo 1 ... ProgNo 128*	In case of an external program selection the program number is applied to these pins. The coding is in binary form according to chapter 'Coding of device and program number'.
ProgStart*	If 24V are applied to this pin, the program number is accepted at the pins ProgNo1 to ProgNo64 (see above).
ProgEnable*	If 24V are applied to this pin, all parameter changes (incl. change in configuration) are allowed in LOCON. For further details see chapter 'Programming enable'.
Dynamic zero offset*	This input serves to set of the zero point during operation (only with absolute encoders).
Run-control-output*	Signal to present the status of the cam control.
Incremental output*	Two outputs to generate an A/B-signal.

6.20 PRESET and CLEAR

With the configuration of Inc., Timer a preset-value can be set that displaces the position to that value after receipt of a preset-signal.

(Ex-works condition: Preset = 0 corresponds to Clear)

The preset-inputs 1 and 2 can be logically connected by AND-function or OR-function.

Besides, it is up to the user if these inputs are supposed to be high- or low-active.

7 Networking terminals with cam controls and PCs

The chapter below illustrates certain connection examples between the units both via the DICNET bus and via the RS232 interface.

All DEUTSCHMANN controllers (LOCON, ROTARNOCK ...) with a DICNET bus can be included in this network. The following principles apply in general:

7.1 RS232 link

An RS232 link is always a **point-to-point link for 2 users**.

It must be borne in mind that, on connection, the Tx end of one user is connected to the Rx end of the other user and vice versa. Moreover, the device ground potentials must be interconnected.

7.2 RS485 link (DICNET)

A DICNET link is a bus system to which at maximum configuration level 16 cam controls (LOCON 32, LOCON 24 ...), 16 display units (TERM 4), 16 operator terminals (TERM 6, TERM 24 ...) and 1 PC can be connected **simultaneously** via a **twisted two-wire line** which should be shielded.

All "DICNET+" terminals are interconnected and all "DICNET-" terminals are interconnected. The terminals do not need to be reversed as on the RS232 interface.

Likewise, not necessarily there is a connection of the individual device ground potentials as on the RS232 interface; **however, you must ensure that the potential difference between the individual devices does not exceed 7V**.

Consequently, equipotential bonding is generally carried out in practice at a central point (for example, in the switch cabinet).

Moreover, please ensure that the two bus users feature bus termination resistors at the start and end of the bus by connecting DICNET+ to R+ and DICNET- to R-, since, otherwise, serious transmission problems could occur.

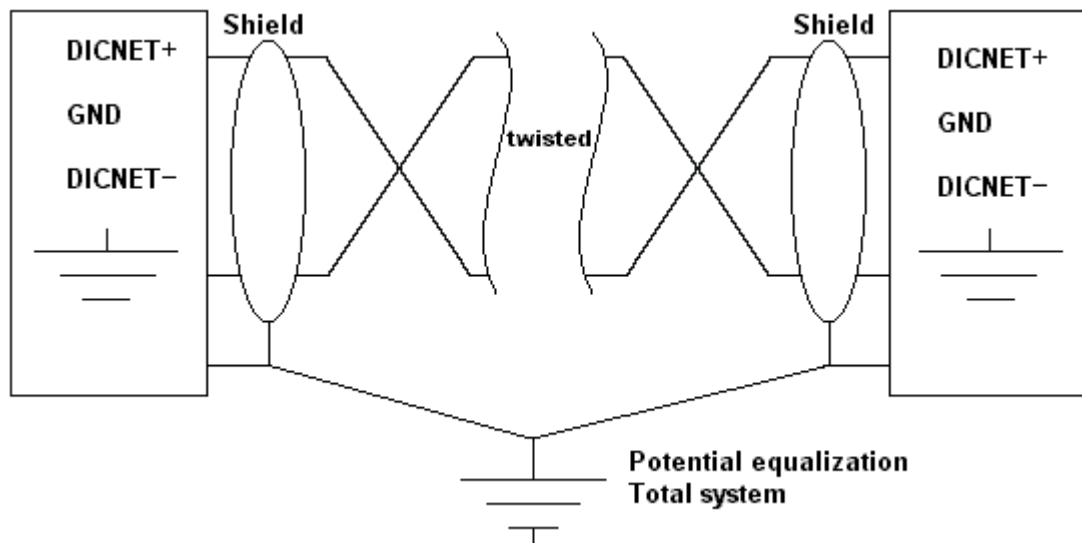
If the devices are connected to the bus with a stub-end feeder, the length of the stub-end feeder may not exceed 1 m, so as to guarantee trouble-free operation.

7.3 Cable type for DICNET

A shielded, twisted, 2-core cable (twisted pair) is recommended as the bus cable. The shield serves to enhance electromagnetic compatibility (EMC). However, an unshielded cable may also be used if ambient conditions permit, i.e. if no electromagnetic interference (EMI) is anticipated. The characteristic impedance of the cable should be between 100 and 130 Ω at $f > 100$ kHz; the cable capacitance should be < 60 pF / m wherever possible and the wire cross-section should be minimum 0.22 mm² (24 AWG).

A cable which fully complies with these specifications and which has been developed specifically for use in field bus systems is the UNITRONIC[®]-BUS LD cable 2 x 2 x 0.22, available on a drum from LAPP KABEL in Stuttgart, or by the metre from DEUTSCHMANN AUTOMATION.

The minimum wiring with shielding between two bus users is shown in the following illustration:



Picture 3: DICNET-wiring



The two signal wires may not be reversed!

GND of the two devices do not necessarily have to be connected.

The potential difference between the data reference potentials GND of all interface connections may not exceed $\pm 7V$.

7.3.1 Earthing, shielding

If using a shielded bus cable, we recommend that the shield be connected at both ends and with low inductance to PE in order to achieve optimum EMC wherever possible.

7.3.2 Line termination at DICNET

The two ends of the entire bus cable must each be fitted with a line termination. This avoids signal reflections on the line and ensures a defined open-circuit potential if no user is transmitting (state of rest between the telegrams, so called idle state).

In this case, please ensure that the line termination is made at the physical ends of the bus cable, i.e. the integrated bus termination resistor must be activated at both devices located at the start and end of the bus.

7.4 Comparison DICNET - RS232

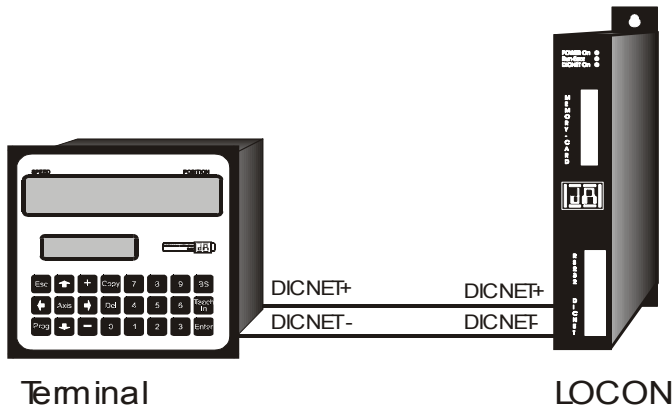
If you intend to set up a permanent link between terminal and one or more cam controls, preference should be given to connection via the DICNET bus and not the RS232 interface since the bus features a higher level of data integrity, i. e. transmission errors which may occur, for instance, as the result of noise pulses are automatically detected and corrected by DICNET up to a certain extent.

Wherever possible, the RS232 interface should be used only for temporary connections (e. g. for connecting a PC).

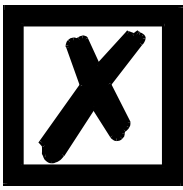
7.5 Connection examples

7.5.1 DICNET link LOCON-TERM

LOCON and TERM are connected as follows via DICNET



Picture 4: DICNET link terminal - LOCON



The presented devices exemplary stand for Deutschmann terminals and cam controls of the series LOCON / ROTARNOCK respectively.

The two ground potentials do not have to be interconnected. However, you must ensure that the GND potential between the individual DICNET bus users does not differ by more than 7V. Otherwise, equipotential bonding must be used.

The bus termination resistor must be activated on both units.

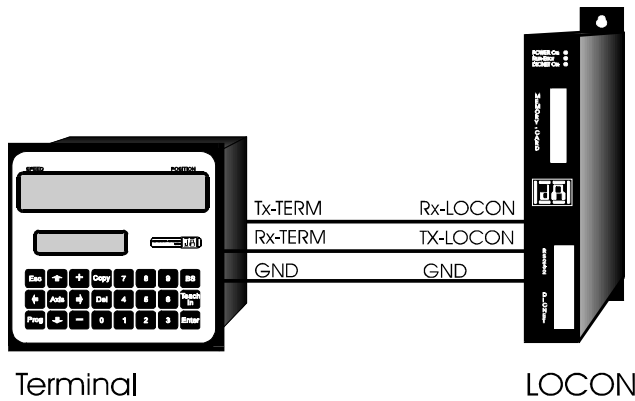
Consequently, in the case of simple wiring with a LOCON and an external operator control panel, it is the obvious choice to use the same 24V supply for both units.

7.5.2 RS232 link LOCON - TERM

On the RS232 version, only a point-to-point connection between LOCON and the external operator control panel is possible.

In this case, the Tx LOCON line must be connected to the Rx TERM line of the operator control unit and vice versa, as can be seen from the illustration below.

The two ground potentials **must** be connected



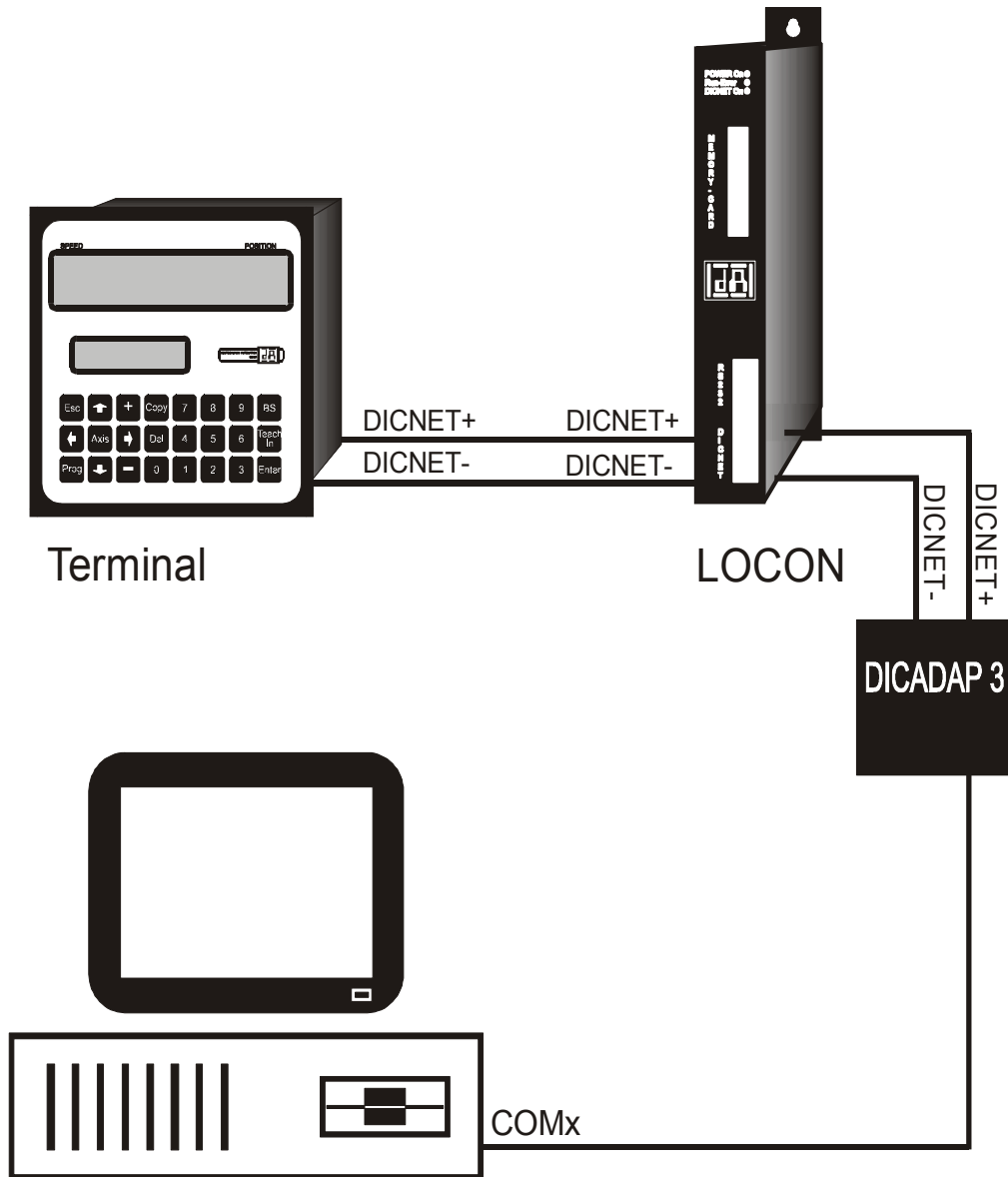
Picture 5: RS232 link Terminal - LOCON



The presented devices exemplary stand for Deutschmann terminals and cam controls of the series LOCON / ROTARNOCK respectively.

7.5.3 DICNET link LOCON-TERM-PC

A PC can be integrated in a DICNET bus system using a DICNET adapter. The connection to the PC is made at a serial port COMx - see the illustration below

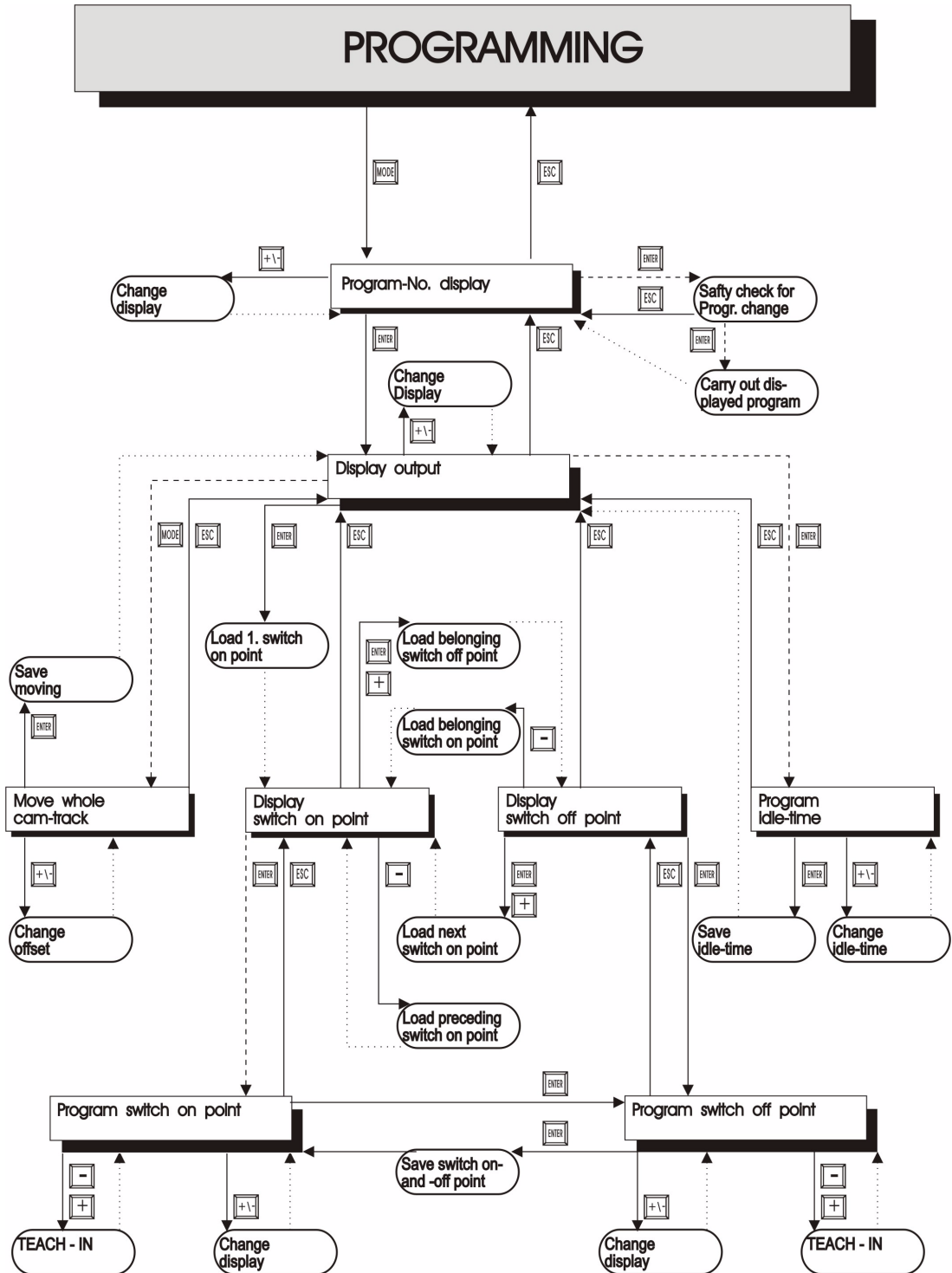


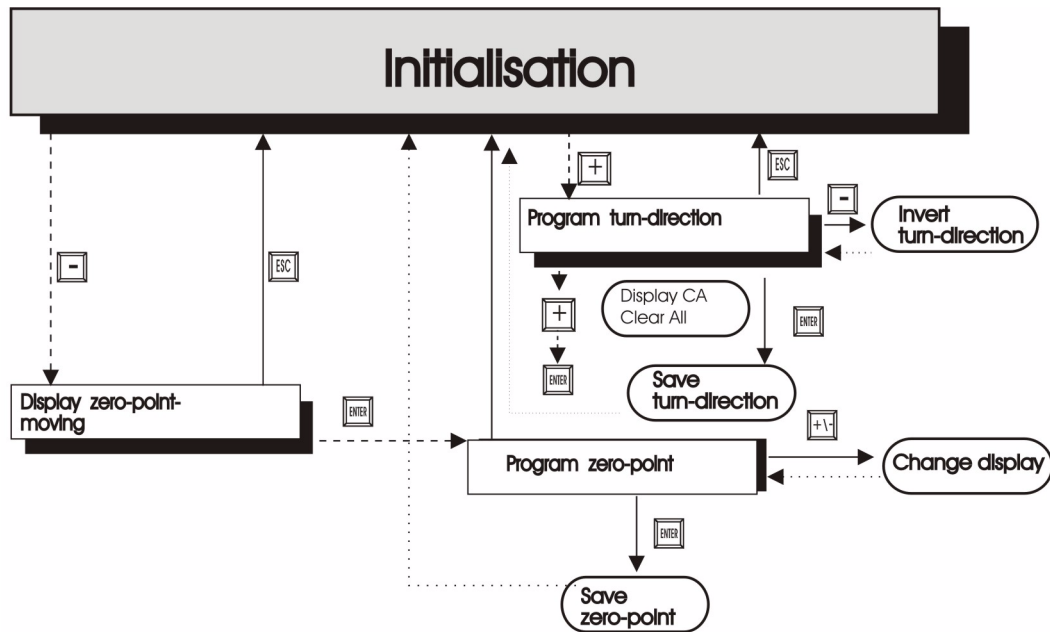
Picture 6: Link DICNET bus to PC



The presented devices exemplary stand for Deuschmann terminals and cam controls of the series LOCON / ROTARNOCK respectively.

7.6 Short instuction





LEGEND

At the graph are only standardfunctions considered.
 All functionkeys are arranged on the right or above.
 ————— Keypush normal
 - - - - - Keypush long
 Remove automatically



A more detailed description on how the device is programmed via TERM 6 can be found in the instruction manual for "LOCON 16 / 17". The described ways of proceeding for LOCON 16 / 17 also apply for TERM 6.

A more detailed description on how the device is programmed via TERM 24 can be found in the instruction manual for "LOCON 24 / 48 / 64". The described ways of proceeding for LOCON 24 / 48 / 64 also apply for TERM 24.

8 LOCON 200 with Profibus

In LOCON 200 two modes are selectable through WINLOC32 during operation via the Profibus-interface.

1. S7-mode (ex-works condition) for an operation at a Simatic S7 (see also instruction manual, art.-no.: V3526E „LOCON 100 / 200 and ROTARNOCK 80 / 100 with fieldbus connection“).
2. Communication profile mode for the operation via the „Communication profile for Deutschmann cam controls“ (see also instruction manual art.-no.: V2064E).



If the selected mode in the device is not the same as the one in the GSD-file this results in a configuration error in the Master.

The GSD-file „L200.GSD“ can be found on our homepage (www.deutschmann.de) or on the support CD.

The Profibus-address (ID) at the LOCON 200 is set through the rotary coding switches at the device's underside, through WINLOC32 or the Profibus-Master. If an ID between 1...7E (126 dec.) is set this address is always valid for the device.

If the rotary coding switch is on position „00“ or $\geq 7E$ hex (126 dec.) then any desired address can be assigned either through WINLOC32 or the Profibus-Master.

Error handling for the Profibus version:

In case there is an error at the device, then the data component is not processed any more and it waits for the "Error_Quit". Otherwise a chain reaction may occur and the device behaves in an uncontrolled manner.

9 Commissioning and self-test

9.1 Commissioning of the terminal

Please follow the procedure below when commissioning the terminal:

- 1) Connect the terminal to the required cam control
- 2) Connect the 24V supply voltage

The terminal now conducts the self-test described in the following chapter, checks whether a user with the no. in accordance with the DIP switch setting is connected and then establishes the connection (provided this user is present).

The duration of the power-up phase, until the unit is ready for operation depends on the number of network users and may take up to 10 seconds.

You will see the message "not present" if no user is found with the set no.

9.1.1 Self-test of the terminal

After power-up of the terminal, the terminal conducts a self-test which takes a few seconds. The unit is then ready for operation.

The following tests are conducted during the self-test:

- Test of the entire RAM area or defective memory addresses
- Checksum test of the EPROM
- Display test; all output indicators light

Should errors occur during the self-test, these are displayed on the display if possible (see chapter Error messages).

9.2 Commissioning of the cam control

The commissioning procedure for the LOCON is as follows:

- 1) Connection of the encoder
- 2) Connection of the "ProgEnable" input if programming is to be allowed
- 3) Connection of the external program selection if required
- 4) Connection of the status signals if an incremental encoder is used
- 5) Connection of the outputs used
- 6) Connection of the serial interface, if required
- 7) Connection of the 24V power supply

The LOCON now conducts the self-test described in the following chapter, then generates the cam tables, after which it is ready for operation, i.e. the program last active (the last time the system was powered down) is executed.

The duration of the power-up phase until the unit is ready for operation depends on the number of programmed cams and may take up to 10 seconds.

A status message together with the software version information is displayed on any optionally connected PC.

If any error conditions which LOCON can detect itself have occurred, a corresponding error number is displayed. Please refer to chapter "Error messages" for the significance of this number and the actions required.

Moreover, the optional Run-Control relay remains in dropped-out condition and the corresponding status LED "Run Error" lights.

9.2.1 Self-test of the cam control

After power-up of the LOCON, the LOCON conducts a self-test which takes a few seconds. The unit is then ready for operation. The following tests are conducted during this self-test:

- Test the entire RAM area for defective memory addresses
- Checksum test of the EPROM
- Checksum and plausibility test of the EEROM
- Plausibility test of the cam program

Should errors occur during the self-test, these are displayed on the display if possible (see chapter Error messages).

9.3 Configuration and initialization

The parameters specified in the parameter table below can be configured/initialized by the user with the DIP SWITCH.

9.3.1 LOCON 200 parameter table

		Value range	
		LOCON 200 (basic device)	IO8
Configuration parameters	Default		
Inputs or outputs	Configurable	0 ...16	0 ...8
Encoder type	SSI	Absolute encoder, parallel gray Incremental encoder Absolute encoder, SSI, gray Timer Multiturn	Will be configured in the basic device.
Counting area (inc. encoder)	8192 (ST) 16777216 (MT)	2 ...8192 2 ...16777216	Will be configured in the basic device.
Encoder resolution	4096	<u>Abs. parallel gray:</u> 360, 720, 1000, 3600, 7200 2 ⁿ (n=0..13 Bit) 2 .. 8192 <u>SSI gray:</u> 360, 720, 1000, 3600, 7200 2 ⁿ (n=0..13 Bit) 2 .. 8192 MT: 24 Bit (4096 x 4096) MT: 25 Bit (8192 x 4096, evaluation 4096 x 4096) <u>Incremental:</u> 2 .. 8192 (ST) 2.. 16777216 (MT) <u>TIMER:</u> counting area can be set from 1ms to 65535ms 8192 (ST) 16777216 (MT)	Will be configured in the basic device.
Virtual encoder value	Encoder resolution	Units with absolute encoder: 2 ..32500 Units with incremental encoder: 2 ..32500 (ST) 2 ..16777216 (MT)	Will be configured in the basic device.
Idle time compensation ITC	Bitwise ITC	Blockwise ITC Bitwise ITC Blockwise, separate switch-on and switch-off idle time Bitwise, separate switch-on and switch-off idle time	Blockwise ITC Bitwise ITC Blockwise, separate switch-on and switch-off idle time Bitwise, separate switch-on and switch-off idle time
Initialization parameters			
Zero offset / preset value	0	Throughout the complete counting area	Will be configured in the basic device.
Factor speed display	60	0 .. 9999 (rev./sec.)	Will be configured in the basic device.
Reverse rotational direction, encoder	0	0 = normal 1 = inverted	Will be configured in the basic device.
Further settings			
Profibus-ID	DIP-switch	00 .. FF (at position „0“ ID adjustable via WINLOC32 or PB-Master)	Will be configured in the basic device.
Device-ID for DICNET (hardware configurable)	DIP-switch	0 ..FF Fx: always Rx232 Ex: DICNET with bus termination (x = DICNET ID) Dx: DICNET without bus termination (x = DICNET ID)	Will be configured in the basic device.
Angle-time cam	-	No, yes	No, yes
Direction cams	Both	Both, positive and negative direction	Both, positive and negative direction

9.3.2 Parameter description

9.3.2.1 Reverse rotational direction, encoder

The direction of rotation of the connected encoder (parallel, incremental or SSI) can be inverted with this parameter.

9.3.2.2 Encoder type

This parameter defines the encoder type. The following encoders are currently supported:

Gray absolute encoders (parallel), 24V

Incremental encoders, 24V

Incremental encoders RS422

Gray-SSI absolute encoders

TIMER (value is generated internally)

All encoder types can be configured as singleturn or multiturn.

9.3.2.3 Encoder resolution

This parameter defines the resolution of the encoder (inf./rev.).

The available resolutions are specified in the parameter table

9.3.2.4 Counting range (only for incremental encoders)

By default, a counter overflow occurs if the counting range limit is reached if using an incremental encoder. Example: At 8192, i. e. after count 8191, the counter counts to 0000 unless an external preset signal has been issued before.

The counting range can be set with this parameter. Please refer to the parameter table for the limited values.

9.3.2.5 Type of idle time compensation

The term "idle time" means the time which elapses from setting a PLS output through to the actual response of the connected unit (e. g. opening a valve).

This idle time is normally constant.

A PLS must shift a programmed cam as a function of the actual encoder speed in order to compensate for this idle time dynamically. This means that a valve which is to open at position 100 must, for example, already be opened at position 95 at a speed of 1 m/s and must already be opened at position 90 at a speed of 2 m/s.

This function is designated dynamic cam shifting or idle time compensation (ITC).

Idle times may be programmed blockwise, i. e. a set idle time always applies to a block of 8 outputs, or bitwise, which provides the option of choosing different switch-on and switch-off delay times in the case of blockwise ITC. The setting is made with the following values:

- 1 = Blockwise idle time compensation
- 2 = Bitwise idle time compensation
- 3 = Blockwise idle time compensation with separate switch-on and switch-off times
- 4 = Bitwise idle time compensation with separate switch-on and switch-off times

9.3.2.6 DICNET-device number (GNR)

This parameter can be used to set the device number with which the LOCON logs on to the DICNET bus and with which, for example, it is addressed by WINLOC32 or communicates with TERM 6.

This value can be changed only with the rear-panel DIP switch and not in the menu.

If you use the RS232 interface, this parameter is of no significance.

9.3.2.7 Zero offset (only for absolute encoders)

The zero offset or the zeroing is used to synchronize the machine's mechanical zero point with the zero point of an absolute encoder. With it the encoder can be installed in any desired position and the machine's mechanical zero point does not have to correspond to the one of the encoder.

The programmed zero offset value is subtracted by LOCON from the actual encoder value, i. e. if the absolute encoder supplies the value 100 as position and a zero offset of 10 is programmed, LOCON processes the value as if position 90 had been read in.

If an offset towards higher values is supposed to be made, the value to be offset must be subtracted from the encoder resolution and entered as zero offset. In the above example, if position 110 is to be processed and an encoder with 1000 inf./rev. is connected, a correction value of 990 (1000-10) had to be entered.

Since in practise zeroing generally occurs at the machine's zero point, it is sufficient to enter the displayed position value as the correction value (TEACH-IN).

If LOCON is used with an incremental encoder, zeroing is not applicable.

9.3.2.8 Scaling for speed display

This parameter permits the speed display to be matched to the given application. Scaling in the range 0...9999 revolutions/second is possible.

A value of 60 is preset at the default. This means that the speed in rpm is displayed.

9.3.2.9 Virtual encoder value (gear factor)

Regardless of the resolution of the encoder actually connected, it is possible to program a "virtual encoder resolution", thus implementing an electronic transmission. If, for example, an encoder with a real resolution of 360 increments per revolution is used and one complete revolution corresponds to a traverse path of 1,000 mm, a "fictitious revolution" of 1,000 increments must be entered in order to program the cam control in "mm".

Please note that the entry and display are always integer. Floating-point display is not possible. In case of results with a remainder larger than 0.5, the system rounds up to the next number.

The following restriction applies for the MT-configuration:

If „real value' is not equal to „fictitious value“ (i. e. if you work with fictitious counting areas or encoder resolutions), then both values must not exceed 65535.

10 Technical details

10.1 Technical data LOCON 200

Characters	Basic equipment	Configurable by the customer
Operating voltage	24 Volt DC $\pm 20\%$, max. 0.2A (without load, max. 8A with load) see chapter 10.2	
Data protection	EEPROM (at least 100 years); no battery required	Via WINLOC32 on PC
Programs	256	
Number of cams	1000 data records, optionally distributable to channels and programs; cams are interchangeable linewise (in the basis segment)	
Position recording	Absolute encoder SSI Gray-code: 4096	Incremental encoder, counting area 2...16777216 (max. counting frequency 35 kHz) Absolute encoder clipped Gray-code: up to 13 bit Absolute encoder SSI Gray-code: up to 13 bit Absolute encoder SSI Multiturn: 24 or 25 bit
Outputs / Inputs	16	
Max. capacity levels	DICNET Profibus	Basis + 16 I/O8 -> 144 I/Os Basis + 8 I/O8 -> 80 I/Os
Idle time compensation (ITC)	Bitwise	Blockwise Separate I/O Input of the idle time in steps: 0.1 ms - 999.9 ms
Cycle time	Basis - from 500 μ s on Basis + IO8 - dynamical from 56 μ s on (applies to IO8)	
Programming	Via external operating unit Through PC via WINLOC32 Via Profibus	
Display	For outputs / inputs: 16 Status: 4	
Interface	RS485 DICNET-network for up to 16 axes RS232 (switchable)	Profibus-interface (optionally only) RS232
Connections	Outputs etc. through plug-connectors	
Installation	DIN-rail mounting	
Type of protection	IP20	
Dimensions	5 x 12 x 6.8 cm (W x H x D)	

10.2 Max. sum current LOCON 200

Through the supply connectors a maximum of 8A can be fed. That implies that the load of the max. 16 outputs may not exceed 8A.

For the operation with an extension module also the load of the max. 144 outputs may not exceed 8A.

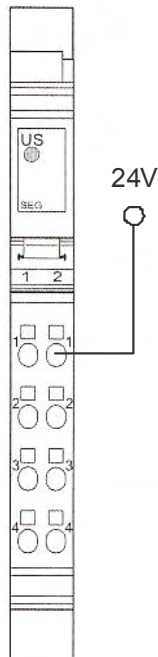
In case a higher current is required, it is possible to insert a segment terminal (designation: segment terminal for LOCON 200, art.-no. V3694) between the basic device and the extension module (also between the single extension modules). With this segment terminal another 8A can be fed.

This way it is possible to provide 8A via the basic device and again 8A via each connected segment terminal.

Note:

There is no electrical isolation because of the segment terminal. That means, the new segment is supplied with +24V (with the mutual GND as basic device) by a power supply unit. For that reason it is sufficient to supply only PIN 2.1 with +24V.

Connection example



10.3 LOCON 100 memory structure

Memory size	Number of data records
8 kbyte	1000 data records

8 bytes are required for each data record. The remaining data records are required by the firm-ware.

The following data record usage applies:

Type	Usage
1 cam	1 data record
1 idle time	1 data record
1 logic record	1 data record
1 output name (max. 30 characters)	5 data records (6 characters/data record)

10.4 LOCON 200 memory structure - Out I/08 (expansion module)

Memory size	Number of data records
8 kbyte	232 data records

8 bytes are required for each data record. The remaining data records are required by the firm-ware.

The following data record usage applies:

Type	Usage
1 cam	1 data record
1 idle time	1 data record
1 logic record	1 data record
1 output name (max. 30 characters)	5 data records (6 characters/data record)

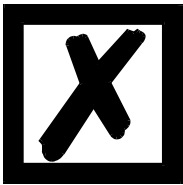
10.5 Specification of the input levels

Logical HIGH: > 16V < 10 mA (typically 5 mA)
 Logical LOW: < 4V < 1 mA

10.6 Specification of the output drivers

The outputs used in the LOCON are short-circuit-proof and can drive maximum 700 mA per output at normal ambient temperature.
 If more than 700 mA per output are required it is possible to interconnect several outputs.
 If several outputs are interconnected, the switch-on and switch-off points in the LOCON must be programmed absolutely identically since, otherwise, the short-circuit monitor responds.

In the event of a sustained short circuit or an overload (up to max. 1 A for a short period of time), the corresponding outputs are deactivated and a corresponding error message is presented on the display.



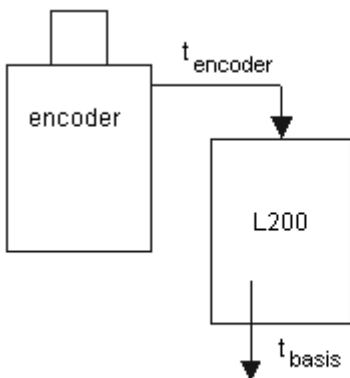
When switching inductances (coils, valves) free-running diodes are to be placed directly at the inductances (see chapter "EMC Directives for products of Deutschmann Automation" on page 11).

10.7 Estimation of the cycle time

The cycle times are calculated dynamically by the cam control depending on the selected configuration and programming.

10.8 Switching accuracy of the Deutschmann cam controls

10.8.1 Switching accuracy (cycle time) of the basis

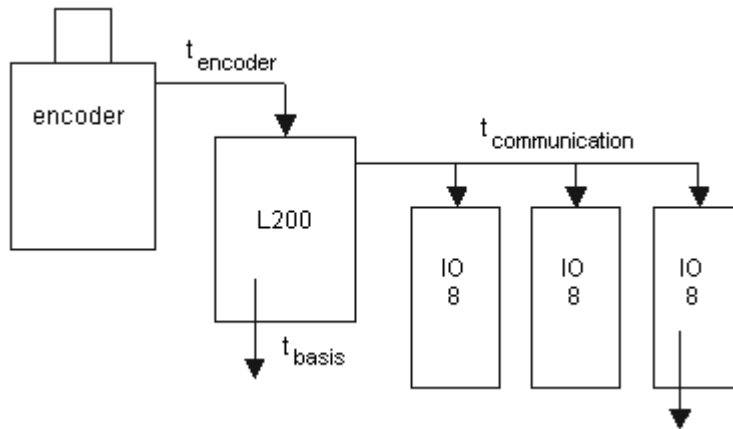


$t_{basis} = - MT (SSI) \rightarrow$ Amount of cams	< 25	< 50	< 100	< 150	> 150
$t [ms]$	1	2	4	6	8

- other encoder types = 500µs

- 1 ms for angle/time and/or logic (if configured) is added to all encoder types
- All other functions (e. g. direction cams, idle time) increase the switching accuracy by 500µs each

10.8.2 Switching accuracy (cycle time) of IO8



$$t_{total} = t_{encoder} + t_{basis} + t_{communication} + t_{IO8}$$

$t_{encoder} = \text{SSI} - 4096 = 56\mu\text{s}$ -> Reading in through hardware (416 kHz)
 -> no further process in the device required

$t_{encoder} = \text{ABS} - 4096 = 0$
 - all other encoders are read in through the basis

$t_{basis} = \text{SSI} - 4096 = 0\mu\text{s}$ (see above)
 - INK (High speed version) = $84\mu\text{s}$ (see High speed version)
 - other encoder types = $500\mu\text{s}$

$t_{comm.} = \text{ST: } 0.6\mu\text{s/bit} \rightarrow 13 \text{ data bits} + 3 \text{ bits pause} = 16 \text{ bits} \times 0.6\mu\text{s} = 9.6\mu\text{s} \sim 10\mu\text{s}$
 MT: 24 bit-value is transfered in 4 cycles with $250\mu\text{s}$ each. As $t_{basis} \geq 1\text{ms} \Rightarrow t_{comm} = 0$

t_{IO8}	Idle time	none	blockwise	blockwise IO	bitwise	bitwise IO
	t [μs]	45	55	70	75	105

- + $300\mu\text{s}$ at configured logic
- + $25\mu\text{s}$ at set direction cams
- + $10\mu\text{s}$ at programmed angle-time cams

High speed version:

In order to keep the $t_{encoder}$ as low as possible the device should be operated with an SSI-encoder with a resolution of 4096, a parallel absolute encoder, resolution 4096 or an incremental encoder.

For the fast incremental version the following has to be considered:

The actual counting area has to be configured with "8192" (any virtual counting area possible); the pre-divider must be = 1; a Clear signal has to be configured on one of the auf pins IO1 - 8.

10.9 Function of the idle time compensation

All mechanical circuit components which are usually connected to a cam control (e. g.: flood-gates, magnetic valves...) feature idle time that means, between accessing the circuit component and the mechanical reflex lies a constant time, the idle time.

The compensation of this idle time depends on the speed of the cam control.

The following processes of idle time compensation are possible:

- path-dependent idle time compensation (standard process in every Deutschmann cam control)
- time-controlled idle time compensation
- direct idle time compensation (without dynamics brake)

Each of the above-mentioned methods has its advantages and disadvantages and is suitable better or worse for a defaulted application.

All methods have in common, that the required idle time value is determined again in every cycle of the cam control in dependence of the current speed. In this case, the required idle time value indicates for how many increments the outputs must be activated earlier in order to compensate the idle time of the connected circuit component.

If the machine - at which the cam control is operated - is in an acceleration stage, the current computed required idle time value deviates from the actual idle time value. In this case, the difference between actual and required value only depends on the acceleration. The following methods now differ in the kind and manner when and how the actual idle time value is changed.

10.9.1 Path-dependent idle time compensation

With this method the actual idle time value is adapted for maximal ± 1 increment during every item modification. By that it is guaranteed that no cams are skipped over during the acceleration stage of the machine and that during the braking phase no double cams (see time-controlled idle time compensation) occur. The worse dynamics is disadvantageous in the case of this procedure and therefore combined the fact, that with a brake application, that is more rapid as the adjusted idle time, the outputs are frozen on a wrong value in the standstill, as only during a machine movement as well as an item modification a change of the idle time actual value is allowed.

10.9.2 Time-controlled idle time compensation

With this method the actual idle time value is adapted for maximal ± 1 increment in every cycle of the cam control. By that it is guaranteed that no cams are skipped over during the acceleration stage of the machine, but double cams can occur during the braking phase; that means if a complete cam is between the actual encoder position and the encoder position which was slipped by the idle time compensation, the cam appears twice at the output.

10.9.3 Direct idle time compensation

With this method, the required idle time value is undertaken in every cycle as an actual idle time value. Because of this a very high dynamics is achieved but cams can be skipped over during the acceleration and during braking double cams can occur.

10.9.4 Optimization of dynamics

In order to achieve an adaptation of the cam shift to a changed speed (high dynamics) as fast as possible, the cam tracks which are idle time compensated should be placed onto the first outputs (independent of the chosen method of idle time compensation), as - system-dependently - the **last** compensated output determined the cycle time of the idle time calculation. In this case, the cycle time corresponds to the last compensated output in ms.

If the outputs 10, 12, 14, 15 are idle time compensated for example, it results an idle time compensation - cycle time of 15 ms. But if these 4 cam tracks are programmed on the outputs 1..4, a cycle time of 4 ms is achieved.

10.10 Environmental specifications of cam controls of the LOCON series

Storage temperature: -25°C.. + 70°C
Operating temperature: 0°C .. 50°C (without forced convection)

Relative humidity:	max. 80% no condensation, no corrosive atmosphere
Enclosure:	IP 20 (in the case of front-panel installation IP 54 from the front)
Shock:	15 G / 11 ms
Vibration:	0.15 mm / 10..50 Hz, 1G / 50..150 Hz
Weight:	200 g

10.11 DICNET®

DICNET® (**DEUTSCHMANN Industrial Controller Net**) is a multi-master-field bus whose physical layer complies with the ISO-OSI Layer Model of DIN 19245, Part 1, i. e. a connection is established between all users in the network with one RS485 two-wire line.

The physical arrangement is thus a bus system on which the users can be connected and disconnected as required.

Logically, the system comprises a Token Ring, i. e. only the user granted bus access authorization (Token) may send on the bus. If this user has no data for another user, it forwards the token to its neighbor which was determined in a configuration phase.

This principle achieves a deterministic bus cycle time, i. e. the time (worst-case) until a data packet can be sent can be computed precisely.

Automatic reconfiguration occurs when a user is connected or disconnected.

The transmission baud rate is 312.5 kbaud with a length of 11 bits/byte. A maximum of 127 users may be operated on one bus, whereby data packets of maximum 14 bytes per cycle can be sent. An automatic check of the received information is conducted and an error message is issued should a transmission error occur twice.

The maximum extent of the network may not exceed 500 m.

In order to avoid transmission errors, it must be ensured that both ends of the bus are terminated correctly.

10.12 Communication interface

DEUTSCHMANN AUTOMATION encourages the use of cam controls with remote control and display unit in order to meet market requirements.

Since different combinations of cam control and terminal have been required repeatedly, specific to the particular application, it has been necessary to define a standard interface (communication profile) supported by all terminals and cam controls from the DEUTSCHMANN AUTOMATION range.

This makes it possible for each user to select the most suitable combination for his application.

By making the communication profile an open profile, this means that the user also has the option of communicating with DEUTSCHMANN cam controls and thus using existing information (encoder position, speed,) for his own applications or operating the cam control via his own terminal.

Furthermore it is also possible to make the LOCON capable for fieldbuses with Deutschmann UNIGATES (Profibus, Interbus, CANopen, Ethernet, ...).

On request, we are able to supply information on this interface in the form of Manual "Communication profile for DEUTSCHMANN AUTOMATION cam controls".

10.13 Coding device numbers

The device number is set in hexadecimal code on the rotary switch.
The following assignment applies:

ID HIGH

Display	Device number	Binary coding			
		8	4	2	1
0x	0	0	0	0	0
1x	16	0	0	0	1
2x	32	0	0	1	0
3x	48	0	0	1	1
4x	64	0	1	0	0
5x	80	0	1	0	1
6x	96	0	1	1	0
7x	112	0	1	1	1
8x	128	1	0	0	0
9x	144	1	0	0	1
Ax	160	1	0	1	0
Bx	176	1	0	1	1
Cx	192	1	1	0	0
Dx	208	1	1	0	1
Ex	224	1	1	1	0
Fx	240	1	1	1	1

ID LOW

Display	Device number	Binary coding			
		8	4	2	1
x0	0	0	0	0	0
x1	1	0	0	0	1
x2	2	0	0	1	0
x3	3	0	0	1	1
x4	4	0	1	0	0
x5	5	0	1	0	1
x6	6	0	1	1	0
x7	7	0	1	1	1
x8	8	1	0	0	0
x9	9	1	0	0	1
xA	10	1	0	1	0
xB	11	1	0	1	1
xC	12	1	1	0	0
xD	13	1	1	0	1
xE	14	1	1	1	0
xF	15	1	1	1	1

11 Error messages

A LOCON error message can be seen from the fact that the „Error-LED“ flashes.
In addition, the optional Run-Control output drops if a serious error (1..19, 31, 100..255) has occurred.

All errors must be acknowledged via a terminal with .

A distinction can be made between the following error types:

11.1 Error number 1..19 (irrecoverable error)

These errors are errors occurring during the self-test routine. If one of the errors 1 to 19 occurs, the unit must be returned to the manufacturer. When returning the unit, please provide the information specified in chapter 'Returning a unit'.

11.2 Error number 20..99 (warning)

The cam control continues running in the background in the case of all errors of this chapter, i.e. the outputs are still updated as a function of the encoder value in the specified cycle time.

Error No.	Significance	Remarks
20:	Error writing to EEPROM	
21	Error saving zero offset	
22	Error saving a cam value	
23	Error deleting a data record	
24	Error deleting a program parameter	Parameter can be deleted in program 0 only
25	Error copying a program Error shifting a cam track	
26	Error programming an idle time	
27	Record-number not available	At S7-data block
30	1. No programming enable 2. Attempt to program an input	1. The program can be modified only if signal "Prog-Freigabe" (Program Enable) is at 24V on the connector or if parameter "Lockable outputs" is set appropriately (see chapter "Program enable") 2. An attempt has been made to program a cam on an input. This is only possible on an output.
31	Overload switch-off of the output driver	The output drivers are short-circuit-proof. If LOCON or ROTARNOCK senses an overcurrent for a long period (under certain circumstances, also in the case of incandescent lamps with high power rating), this error message is issued. The corresponding output load must then be reduced and after that the error be acknowledged. Only the overloaded output is switched off. The other outputs continue to operate.
32	EEPROM full	All data records in the EEPROM are used. Either you must remove cams no longer required or the unit must be equipped with a higher-capacity memory card (LOCON 32 only).

33	Duplicate switch-on point	An attempt has been made to program two cams with the same switch-on point at an output (cam track).
33	Too many angle-time cams have been set	
34	Error programming a partial idle time compensation	Unit does not feature the 'Y' partial idle time compensation option
34	Error setting a parameter	
35	Error logic programming	
35	Prohibited encoder resolution, no power of 2	Program a valid value
36	Parameter not available	
37	Error setting a prohibited angle-time cam	
38	Logic not unlocked	Configure logic
39	Idle time compensation or direction cam not possible	For configuration without idle time compensation or direction cam
40	DICNET® - transmit error Duplicate error on transmit	Duplicate error on transmission
41	DICNET® - receive error	Duplicate error on receive
42	DICNET® - ID error	There is already a user with the same device number (GNR) in the network or the network line is faulty (missing bus termination, line discontinuity or non-twisted lines).
43	DICNET® bus error	E. g. missing or wrong bus termination
43	No connection to the Profibus-Master	Only for devices with Profibus-interface
44	Overflow of the serial receive buffer	
45	Overflow of the serial transmit buffer	
46	Error save blank cam	Data record incomplete
47	Error programming a direction cam	Direction cam prohibited
47	PLL-error	Counting area too high for speed
51	Area of the transferred cams is wrong	



All outputs are switched briefly to 0V when error 31 is acknowledged.

11.3 Error number 100..199 (serious error)

All outputs are switched to 0V until the error has been remedied in the case of errors from this chapter since it is no longer feasible to set the outputs.

Error No.	Significance	Remarks
100	Error in Gray code	The (clipped) Gray code read in by the encoder is checked for plausibility in each cycle. If an illegal code is detected, this error message is issued. If the error occurs only occasionally, this probably involves a fault on the encoder line, and this fault can be remedied by improved cable shielding or different cable routing. Should the error be repeated frequently or be pending constantly, the encoder and the encoder line must be checked and exchanged if necessary. If the error still persists, the unit must be returned (see chapter "Returning a unit").
101	Checksum error on the memory card or in EEPROM	If a checksum error on the memory card or in the EEPROM is detected on power-up, you will see the corresponding error message. After acknowledgement by the user, the memory is written with the default configuration data and all user data is deleted. You then have the option of reprogramming or, if the old data has been backed up on a PC, of reloading this data.
102	Error initializing the cam array	Prohibited cams detected. Carry out a general deletion
104	Plausibility error (prohibited device configuration)	A prohibited device configuration been saved (e. g. absolute encoder with 127 increments resolution). Carry out a general reset
105	Encoder error (only when encoder monitoring is on)	See chapter "Encoder monitoring".
108	SSI Timeout error	
111	SSI Gray code error	

11.4 Error number 200-299 (terminal error)

The following errors occur only on terminals (or if using cam controls of the LOCON 24, 48, 64 Series as a terminal).

Error No.	Significance	Remarks
210	RX overflow error	Receive buffer overflow
211	TX overflow error	Transmit buffer overflow
212	TX change ID error	Error changing the ID
213	Timeout accessing LCD-display	Acknowledge the error. If the error occurs again, the unit must be returned, specifying the information described in chapter "Returning a unit"
220	Timeout connecting to cam control	
221	Incorrect data record on transmission to cam control	
222	Checksum error on reception from cam control	
223	Checksum error on transmission to cam control	
224	Unknown command on transmission to cam control	
230	Incorrect configuration data record or not possible to configure the cam control	
231	Incorrect initialisation data record	
240	DICNET® transmit error	
241	DICNET® receive error	
242	Duplicate device number in DIC-NET® or connection problems	Assign a different device number. Check for cable discontinuity, short circuit, non-twisted cable....
243	Too many terminals in network (max. 3 allowed)	Reduce to 3 terminals
244	Max. 1 external terminal in the case of multiple-axis version of the LOCON 32	
251	Internal error	
252	Unknown command	Internal error
253	Checksum error detected by the cam control	Internal error

12 Order Code

12.1 Cam control LOCON 200

12.1.1 Explanation of the order designation

LOCON 200 is available in two different versions.

1. LOCON 200 with switchable RS232/RS485 (DICNET)-interface
2. LOCON 200-PB with Profibus- and RS232-interface

12.2 Scope of delivery

12.2.1 Scope of delivery LOCON 200

The scope of delivery consists of a device with all associated terminal elements and a support-CD (for each delivery)

13 Servicing

Should questions arise that are not covered in this manual you can find further information in our

- FAQ/Wiki area on our homepage www.deutschmann.com or directly in our Wiki on www.wiki.deutschmann.de
- Corresponding Manual of the used Cam Control

If your questions are still unanswered please contact the responsible sales partner (see www.deutschmann.com) or contact us directly.

Please note down the following information before calling:

- Device designation
- Serial number (S/N)
- Article number
- Error number and error description

You can reach us during hotline hours which are as follows:

Monday to Thursday from 8 am to midday and from 1 pm to 4 pm, Friday from 8 am to midday (CET).

Deutschmann Automation GmbH & Co. KG
Carl-Zeiss-Straße 8
D-65520 Bad Camberg
Germany

Central office and sales department +49 6434 9433-0
Technical hotline +49 6434 9433-33

Fax sales department +49 6434 9433-40
Fax technical hotline +49 6434 9433-44

E-mail technical Hotline hotline@deutschmann.de

13.1 Returning a unit

If you return a unit to us, we require as comprehensive a description of the error as possible. We require the following information in particular:

- What error number was displayed?
- How is the unit externally wired (encoders, outputs, ...)? Please state all connections of the unit.
- What is the magnitude of the 24V supply voltage ($\pm 0.5V$) with connected LOCON?
- What were you last doing on the unit (programming, error on power-up, ...)?

The more precise your information and error description, the more precisely we can check the possible causes.

Devices, that are sent in without an error description undergo a standard test. You have to bear the costs for that test even though no defect was found.

13.2 Internet

The current software WINLOC32 is available for download from our Internet-homepage www.deutschmann.com. There you can also find topical information on Deutschmann products, instruction manuals and a list of our distribution partners.

