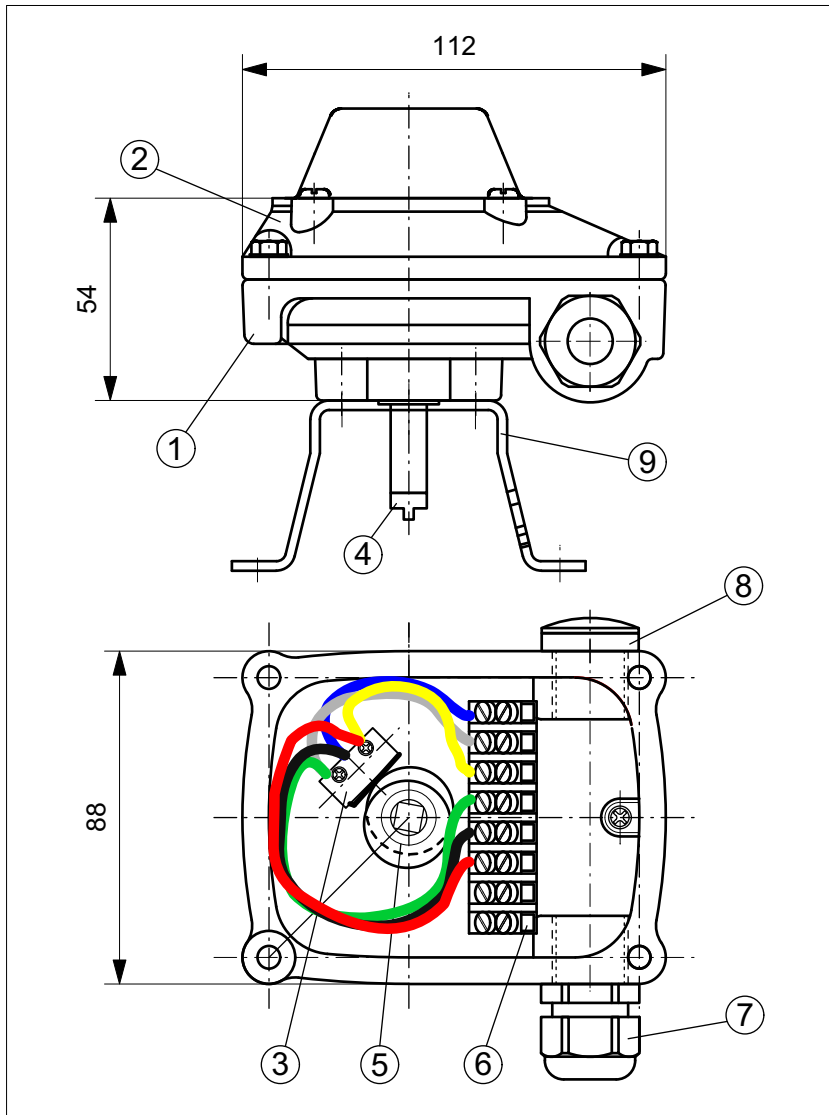




LAMBDA-Module CZPASAZ

LAMBDA-Module with two micro switches in Aluminium-Housing
112 x 88 x 38 mm with terminal block 8-pole, with visual indication



TECHNICAL DATA

Type: Micro switches, potential-free

Switch power: max. 5 A, 250 V AC

Temperature: -25...+85°C

Housing: Aluminium, coated
Cover + Base grey with visual indication yellow/red

Ingress protection: IP68 (Housing)

Switch. precision: < 1°

System connection: Cable gland M20x1.5, black

Solenoid connect.: Connection bore M20x1.5

Clamps: Screw clamps for junction up to 2,5 mm²

Advantages

- europ. CE-certificate
- enhanced lacquering and chromating
- Quality micro switches from honeywell
- Certified density IP 68 (certificate existing)
- wire cross section and clamping according to europ. standards
- RoHS conform
- cable gland, O-Ring and blind plug incl.

OBJECT LIST

Pos.	Pcs.	Description	Material
1	1	Housing base	Aluminium
2	1	Housing cover	Aluminium
3	2	Micro switch Honeywell	
4	1	Operating shaft	A2
5	1	Switch cam system	
6	1	Terminal block, 8-pole	
7	1	Cable gland M20x1,5	
8	1	Blind plug M20x1,5	
9	1	Bracket size 1-4	A2

WIRING DIAGRAM

