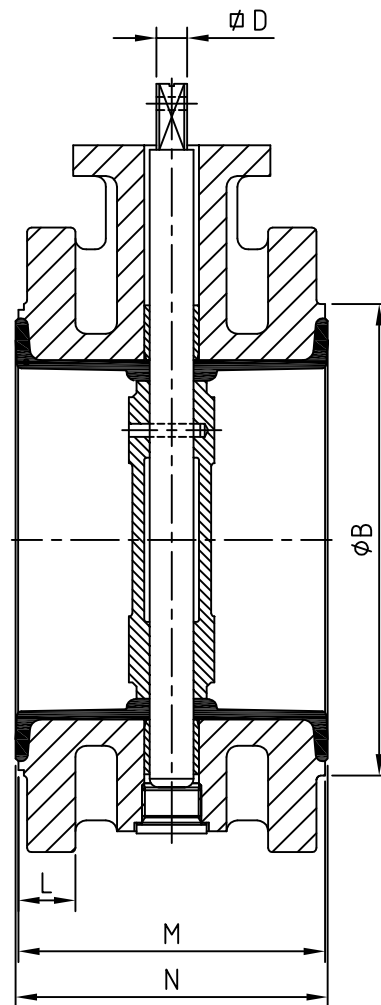
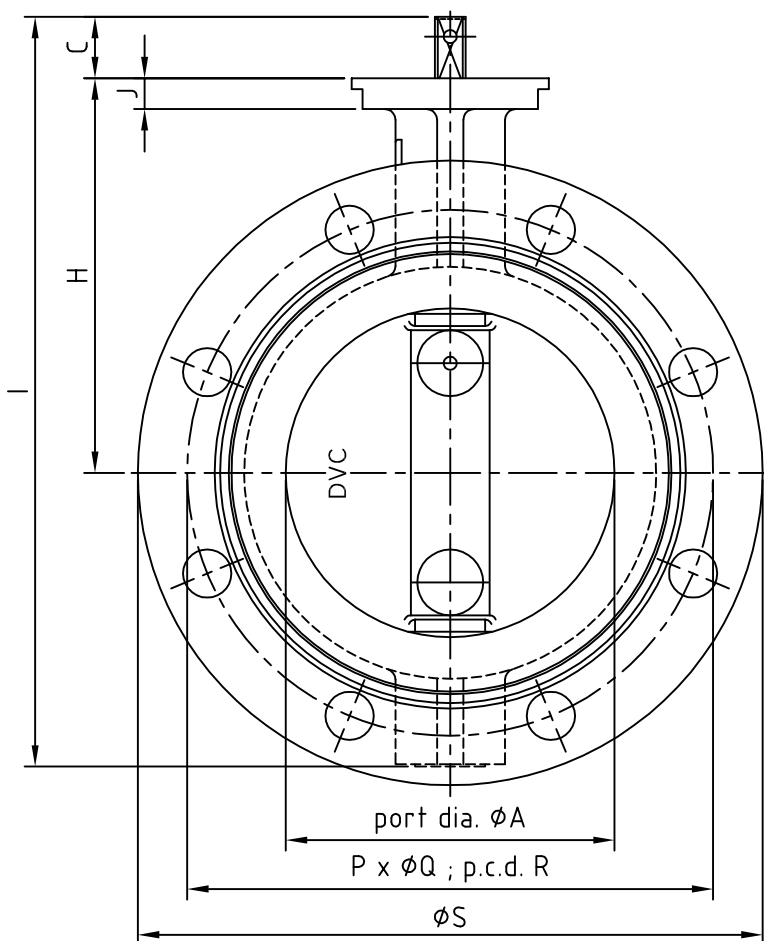
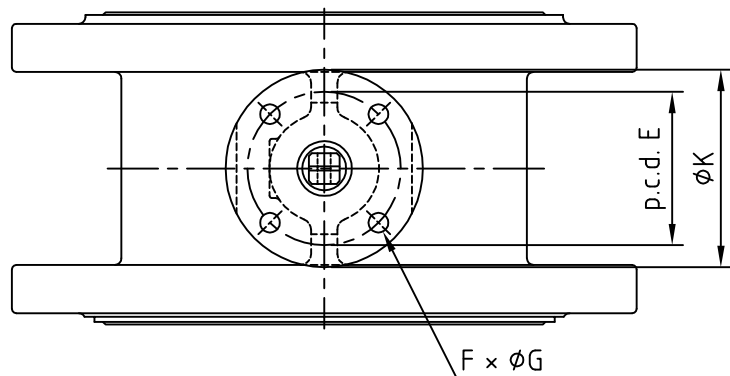


THIS DRAWING IS CONFIDENTIAL AND IS SUPPLIED ON THE EXPRESS THAT IT SHALL NOT BE LENT OR COPIED OR DISCLOSED TO ANY OTHER PERSON, WITHOUT OUR WRITTEN CONSENT.

TITLE : Sectional arrangement of rubber lined butterfly valve type BA/S59. Nominal size 50mm - 300mm. Flange connections according to DIN-16. Dimensions according to ISO-5752/5211-1



Nom. size	ØA	ØB	C	ØD	p.c.d. E	F	ØG	H	I	J	ØK	L	M	N	P	ØQ	p.c.d. R	ØS
50	50	102	25	11	70	4	9	118	210	12	90	22	108	109.8	4	18	125	165
65	65	122	25	11	70	4	9	126	225	12	90	22	112	113.8	4	18	145	185
80	80	130	25	11	70	4	9	133	240	14	90	22	114	115.8	8	18	160	200
100	100	158	25	11	70	4	9	147	272	14	90	23	127	129	8	18	180	228
125	125	191	28	14	70	4	9	160	300	14	90	26	140	142.2	8	18	210	254
150	150	215	28	14	70	4	9	180	342	14	90	26	140	142.4	8	22	240	285
200	200	268	28	17	70	4	9	204	391	14	90	29	152	155	12	22	295	343
250	250	324	30	22	102	4	11	245	470	15	125	32	165	168	12	26	355	405
300	300	374	30	22	102	4	11	270	520	15	125	32	178	181.2	12	26	410	482

C																			
B																			
A																			
0	06-03	P.D.	ORIGINAL		03-'02	J.R.	<b>DUVALCO</b>		APPR. BY : P.D.		DATE : 06-03-'02		DRWN. NO.		AM.PROJ.		17815		
ISSUE REV.	DATE	SIGN.	DESCRIPTION	APPR. DATE	CHKD.	APPR. FOR CONSTR.			DATE		CHKD.		SCALE : 1 : 3.5						REV. 0
SURFACE ROUGHNESS ACCORDING TO ISO-1302																			