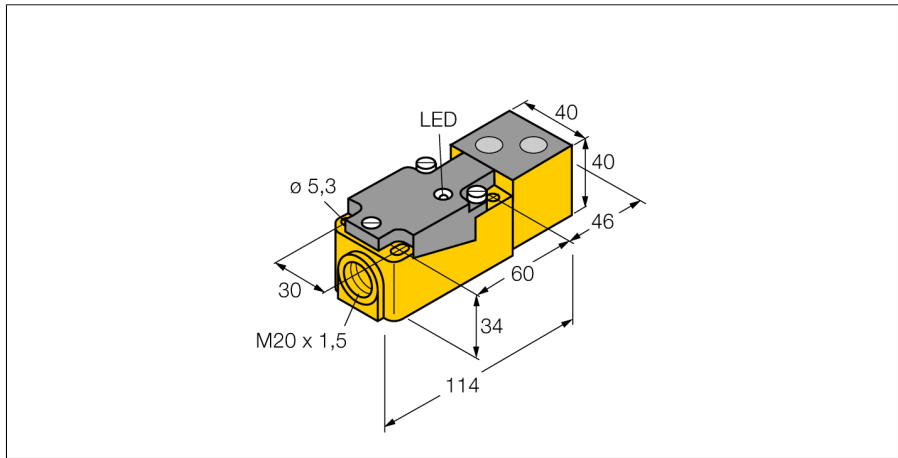
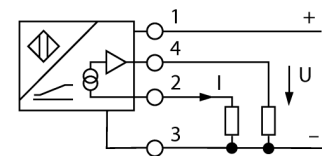


**ultrasonic sensor
diffuse mode sensor
RU100-CP40-LIUX**



- Ultrasonic sensor
- Analog output, 0...10 V and 0...20 mA
- Rectangular
- Opening angle of sonic cone 60°
- Terminal chamber
- The initial scope between 5...100 cm and the axial width between 10...100 cm are adjustable within the analog range.

Wiring Diagram



Type designation	RU100-CP40-LIUX
Ident no.	15349
Operating mode	Diffuse mode ultrasonic sensor
Range	5...180cm
Ultrasound frequency	40 kHz
Repeatability	≥ ± 5 mm
Edge lengths of the nominal actuator	200 mm
Approach speed	≤ 1 m/s
Pass speed	≤ 2 m/s
Operating voltage	15... 30VDC
No-load current I_0	≤ 20 mA
Load resistance	≤ 500 Ω
Response time typical	150 ms
Current output	0...20mA
Voltage output	0...10VDC
Hysteresis	≤ 20 mm
Short-circuit protection	yes
Reverse polarity protection	complete
Wire breakage protection	yes
Construction	rectangular, CP40
Dimensions	160 x 40 x 40 mm
Housing material	Plastic, PBT-GF30-V0
Electrical connection	terminal chamber, Terminal box with cable gland
Protection class	IP40
Ambient temperature	0...+70 °C
Power-on indication	LED yellow
Switching state	LED
Object detected	LED, yellow

Functional principle

Ultrasonic sensors use ultrasonic waves for non-contact and wear-free detection of many objects. Regardless of whether the object is transparent or opaque, metallic or non-metallic, or of liquid, solid or powdery consistency. Environmental conditions such as spray, dust or rain hardly affect their function.

Characteristic

