

Metric Ball Screws Product Overview

The Thomson series of metric ball screws includes two families of rolled ball screws (Miniature, Thomson NEFF) with four nut styles — Miniature, Cylindrical, Threaded and Flanged. An overview of our rolled product offering is organized by nut style, below. Refer to individual product family sections for additional details.

Miniature Ball Nuts

Miniature: TSI, PRM

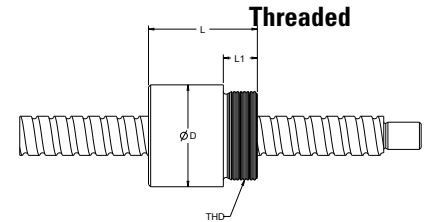
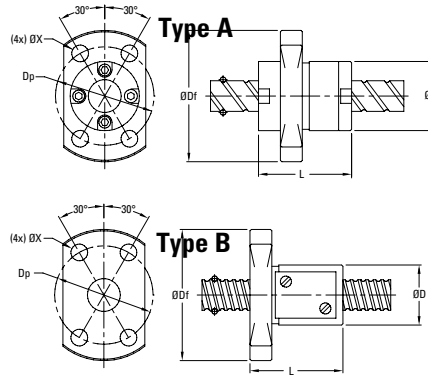
Return: Internal

Style: Miniature

Mounting: Flanged, Threaded

Backlash: Non-preloaded

Thread Direction: Right Hand



Nominal Diameter	Lead	Dynamic Load Capacity (C _{am})	Length L	Width/Diameter D	Ball Nut Form	Flange Diameter D _f	Bolt Hole Circle D _p	Hole Diameter X	Screw and Nut Assembly P/N	Catalog Page
(mm)	(mm)	(kN)	(mm)	(mm)		(mm)	(mm)	(mm)		
4	1	0.6	17.0	11.0	Type B	24.0	18.0	3.4	PRM0401	114
5	4	0.5	22.0	12.0	Type B	24.0	18.0	3.4	PRM0504	114
6	1	0.7	17.0	13.0	Type B	26.0	20.0	3.4	PRM0601	114
6	2	1.6	22.0	16.0	Threaded				8102-448-025	116
6	6	0.9	17.0	14.0	Type A	27.0	21.0	3.4	PRM0606	114
8	1	0.8	17.0	16.0	Type B	29.0	23.0	3.4	PRM0801	114
8	2	2.4	24.0	20.0	Type B	37.0	29.0	4.5	PRM0802	114
8	2	2.3	24.0	18.0	Threaded				8103-448-026	116
8	2.5	3.1	24.0	18.0	Threaded				8103-448-027	116
8	3	2.7	25.0	18.0	Threaded				8103-448-028	116
8	5	1.9	28.0	18.0	Type B	31.0	25.0	3.4	PRM0805	114
8	8	2.2	20.0	18.0	Type A	31.0	25.0	3.4	PRM0808	114
8	12	2.2	27.0	18.0	Type A	31.0	25.0	3.4	PRM0812	114
10	2	2.7	24.0	23.0	Type B	40.0	32.0	4.5	PRM1002	114
10	2	2.7	22.0	19.5	Threaded				8103-448-022	116
10	3	6.7	29.0	21.0	Threaded				8103-448-023	116
10	4	5.8	35.0	21.0	Threaded				8103-448-029	116
10	10	3.3	24.0	23.0	Type A	40.0	32.0	4.5	PRM1010	114
10	10	4.1	35.0	23.0	Threaded				8103-448-030	116
10	15	3.3	33.0	23.0	Type A	40.0	32.0	4.5	PRM1015	114
10	20	2.1	23.0	20.0	Type A	37.0	29.0	4.5	PRM1020	114
12	2	3.0	24.0	25.0	Type B	42.0	34.0	4.5	PRM1202	114
12	2	4.5	40.0	24.0	Threaded				8105-448-031	116
12	3	9.6	40.0	26.0	Threaded				8105-448-032	116
13	12	5.0	30.0	28.0	Type A	45.0	37.0	4.5	PRM1312	114
13	20	5.0	43.0	28.0	Type A	45.0	37.0	4.5	PRM1320	114
14	2	3.2	25.0	26.0	Type B	45.0	36.0	5.5	PRM1402	114
14	3	6.7	35.0	30.0	Threaded				8105-448-033	116
14	4	5.7	33.0	30.0	Type B	49.0	40.0	5.5	PRM1404	114