



NOTE

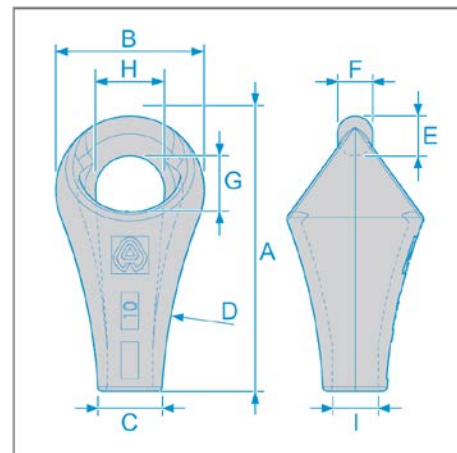
The working load is maximally equal to 1/5th of the indicated minimum breaking load.



NOTE

The breaking strength of the NEMAG Rope Pear Socket is equal or higher than the breaking strength of the average applicable steel wire rope in that size of socket (based on the construction 6x36WS with steel core with a tensile strength of 1960 N/mm²).

For the NEMAG Rope Pear Socket type S, the breaking strength is related to special steel wire ropes with a smaller diameter that have a higher breaking load, like 8-strand wire ropes.



NEMAG Rope Pear Sockets

Pear size	Wire rope diam. (mm)	Working load (kg)	Breaking load (kg)	Dimensions (mm)									L (mm)	Weight (kg)
				A	B	C	D	E	F	G	H	I		
2	12-13	2,000	14,000	95	56	25	195	15.5	13.5	22	25	16	41	0.4
3	14-15	2,500	17,500	109	64	28	220	17.5	15.5	24	29	19	48	0.7
4	16-17	3,000	22,500	123	70	31	220	19.5	17.5	26	31	23	58	0.9
5	18-19	4,500	27,500	135	84	33	245	21	19	30	42	23	64	1.4
6	20-21	5,000	35,000	152	84	36	310	23	21	33	38	26	74	1.6
7	22-24	7,000	42,500	166	100	40	310	26	23	37	48	30	78	2.2
8	25-27	8,000	52,500	186	100	43	350	28	25	39	44	32	90	2.5
9	28-30	11,000	70,000	202	120	45	350	32	28	40	58	35	98	3.7
10	31-33	13,000	85,000	222	120	52	445	32	28.5	45	56	39	110	4.0
11	34-36	15,000	95,000	239	142	55	445	36	31.5	50	70	42	110	6.1
12	37-39	17,000	110,000	264	142	60	495	39	34.5	51	64	45	130	6.3
13	40-42	21,000	125,000	285	166	63	555	43	36.5	59	80	48	132	8.8
14	43-45	26,000	155,000	312	166	68	595	47	40	62	72	51	155	10.7
15	46-48	30,000	180,000	337	170	75	595	51	44	66	68	55	170	11.6
17	52-56	42,500	240,000	400	220	84	880	60	54	75	90	63	200	22.1

NEMAG Rope Pear Sockets type S

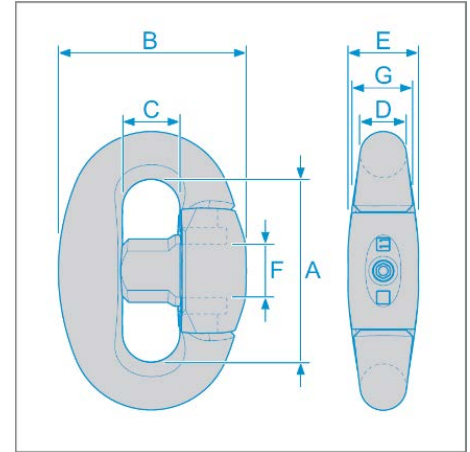
Pear size	Wire rope diam. (mm)	Working load kg *	Breaking load kg	Dimensions (mm)									L (mm)	Weight (kg)
				A	B	C	D	E	F	G	H	I		
924	22-24	11,000	70,000	192	133	40	325	31	27	40	58	29	96	4.1
1026	25-27	13,000	85,000	212	143	43	375	35	30.5	43	60	32	108	5.0
1130	28-30	15,000	95,000	239	156	45	400	36	31.5	50	70	35	122	6.0
1232	31-33	17,000	110,000	249	165	52	425	39	34.5	57	72	38	118	8.2
1336	34-36	21,000	125,000	257	184	62	450	43	36.5	60	80	42	118	9.1
1440	37-40	26,000	155,000	297	192	60	475	47	40	62	80	46	142	11.8
3221	42-44	32,500	189,000	314	204	66	425	53	46	70	80	49	144	13.8
1548	46-48	30,000	180,000	329	192	67	575	51	44	66	80	57	157	12.4
1648	46-48	36,000	215,000	343	218	70	500	56	50	75	90	54	157	16.3





NOTE

The working load is the recommended maximum load for grabbing operations when NEMAG Quick Release Links and NEMAG Rope Pear Sockets pass over a wide 'U' cable sheave. For other applications, you must adhere to a safety factor that is in line with official local and international directives.



NEMAG Quick Release Links

Link size	Working load (kg)	Breaking load (kg)	Dimensions (mm)							Weight (kg)
			A	B	C	D	E	F	G	
4	3,000	25,000	76	76	24.5	19	30	21	25.2	1.0
5	4,500	33,000	84	84	27	21	32.5	23	28	1.3
6	5,000	37,500	92	92	29.5	23	35	25	30.3	1.6
7	7,000	49,000	100	100	32	25	38	28	32.8	2.0
8	8,000	54,000	108	108	34.5	27	40.5	31	35.3	2.6
9	9,500	60,000	116	116	37	29	43.5	34	38	3.0
10	12,000	75,000	128	128	40.5	32	48	37	41.6	4.2
11	15,000	95,000	140	140	44	35	53	40	45.8	5.5
12	17,000	110,000	152	152	47.5	38	57	43	49.6	7.1
13	21,000	135,000	164	164	51	41	61.5	46	53.4	9.1
14	26,000	160,000	176	173	54	44	66	50	58	10.8
15	30,000	175,000	188	188	58	47	70.5	52	61	13.7
17	42,500	260,000	222	222	68	56	84	62	71	22.8



Connection between NEMAG Rope Pear Sockets and NEMAG Quick Release Links

A NEMAG Rope Pear Socket can be connected with a NEMAG Quick Release Link of the same size, or to a NEMAG Quick Release Link of a different size as shown in the table below. The example below shows how you can find the correct size Quick Release Link and Rope Pear Socket. An additional safety factor can be included.

Given:

- Steel wire rope with a diameter of 26 mm
- Safe working load of the steel wire rope: 10,000 kg

1. According to the NEMAG Rope Pear Socklets table, select NEMAG Rope Pear Socket no. 1026
2. Then, according to the NEMAG Quick Release Links table and the table below, NEMAG Quick Release Link no.10 is possible

		NEMAG Quick Release Link												
		4	5	6	7	8	9	10	11	12	13	14	15	17
NEMAG Rope Pear Socket	size													
	2													
	3	■												
	4	■												
	5	■	■	■	■									
	6		■	■	■									
	7			■	■	■	■							
	8				■	■	■	■						
	9					■	■	■	■					
	10						■	■	■	■				
	11							■	■	■	■			
	12								■	■	■	■		
	13									■	■	■	■	
	14										■	■	■	■
	15											■	■	■
	17													■
	type s													
924						■	■	■						
1026							■	■	■					
1130								■	■	■				
1232									■	■	■			
1336									■	■	■	■		
1440										■	■	■	■	
3221												■	■	
1548												■	■	
1648													■	■

Connection possible
 Connection not possible

