

PRODUCT INFORMATION

DESCRIPTION

These Installation Instructions explain how to convert a Chemetron MICRO 1-EV™ control unit into a standard functioning Chemetron MICRO XLT™ or MICRO XLT Ip™ control unit, housed in the existing MICRO 1-EV enclosure. This procedure requires the purchase of a MICRO XLT or XLT Ip Control Unit Retrofit Kit for each MICRO 1-EV control unit to be retrofitted.

For a more detailed view of the installation, refer to drawing 40480017, included with the Mounting Plate and Hardware Kit (S/N 40480017).

PARTS INCLUDED IN KIT

The following parts are contained in the Retrofit Kit:

- 70101667 or 70101668 Circuit Board and Power Supply
- 40480017 Mounting Plate and Hardware Kit
- 70000299 or 70000300 Inside Door Label
- 70000363 or 70000364 Outside Door Label

The 40480017 Kit contains:

- One mounting plate
- Three brackets for the PC board
- One bracket for the power supply
- Twelve #8-32 x 3/8" screws
- Twelve #8 lock washers
- Three #8-32 hex nuts
- Three #6-32 x 3/16" screws
- Seven #6 lock washers
- Four #6-32 hex nuts
- Two copies of drawing 40480017

REQUIRED TOOLS

- Safety glasses (recommended)
- Screwdriver
- Wire strippers
- Ground strap

ORDERING INFORMATION

Stock Number	Description
20100248	MICRO XLT Retrofit Kit Includes 70101667, 40480017, inside and outside door labels
20100249	MICRO XLT Ip Retrofit Kit Includes 70101668, 40480017, inside and outside door labels
70101667	MICRO XLT Circuit Board Assembly
70101668	MICRO XLT Ip Circuit Board Assembly
40480017	Mounting Plate and Hardware
70000299	Inside Door Label, MICRO XLT
70000300	Inside Door Label, MICRO XLT Ip
70000363	Outside Door Label - MICRO XLT
70000364	Outside Door label - MICRO XLT Ip

Note: For complete installation information, refer to the Chemetron MICRO XLT Installation, Operation, and Maintenance Manual, S/N 70000291, or Chemetron MICRO XLT Ip Installation, Operation, and Maintenance Manual, S/N 70000295, Chapter 2, Installation.

It may be necessary to order additional parts for complete Chemetron MICRO XLT or MICRO XLT Ip functionality. For example, smoke detectors and heat detectors need to be from the compatible devices list in Appendix B of each manual.

Chemetron is a trademark of Kidde-Fenwal, Inc.
MICRO 1EV and MICRO XLT are trademarks of Chemetron Fire Systems.

These instructions do not purport to cover all the details or variations in the equipment described, nor do they provide for every possible contingency to be met in connection with installation, operation, and maintenance. All specifications are subject to change without notice. Should further information be desired, or should particular questions arise which are not covered sufficiently for the purchaser's purposes, the matter should be referred to CHEMETRON Fire Systems, Burr Ridge, IL 60527. Telephone: 708/748-1503

70000366 Rev AA ©2012 Chemetron

Effective Date: December 2012

MICRO 1-EV™ to MICRO XLT™ or MICRO XLT™ Ip Upgrade Installation Instructions

CHEMETRON
Fire Systems™

CAUTIONS AND WARNINGS



Wear safety goggles when performing this procedure.



Two different sources of power can be connected to the Chemetron control unit. Disconnect both sources of power and critical components such as control heads for special extinguishing systems and addressable pilot relays controlling facility power shutoff before beginning this procedure. The control unit and associated equipment may be damaged by connecting wiring while the control unit is energized.



Use a ground strap to prevent static discharge damage to electronic components.



To ensure proper system operation, the system must be retested in accordance with NFPA 72 Chapter 10 after any addition or deletion of system components and after any modification, repair or adjustment to system hardware or wiring.

All components, circuits, and system operations known to be affected by a change must be 100% tested. In addition, to ensure that other operations are not inadvertently affected, test at least 10% of initiating devices that are not directly affected by the change, up to a maximum of 50 devices, to ensure proper system operation.

INSTALLATION INSTRUCTIONS

PREPARATION

1. Record any configuration information before powering down.
2. Locate and mark all wire connections.
3. Disconnect wire connections from MICRO 1-EV circuit board.
4. Remove existing printed circuit board.
5. Leave standoffs mounted on the left side of the existing back panel.

INSTALLATION PROCEDURE

1. Mount the MICRO XLT or MICRO XLT Ip mounting brackets to the existing back panel using three #8-32 x 3/8" screws and three #8 internal tooth lock washers.
2. Mount the MICRO XLT or MICRO XLT Ip circuit board to the existing standoffs using three #6-32 x 3/8" screws and three #6 lock washers.
3. Install mounting bracket with #8-32 x 3/8" screw, #8 lock washer and #8-32 hex nut.
4. Mount the new power supply to the mounting plate, using the power supply bracket, two #8-32 x 3/8" screws, two #8 lock washers, one 6-32 x 3/16" screw and one #6 lock washer.
5. Mount power supply assembly to existing back panel using four #8-32 x 3/8" screws and four #8 lock washers, or four #6-32 hex nuts.
6. Apply the Inside Door Label (S/N 70000299 or 70000300) over the existing inside door label. Apply the Outside Door Label (S/N 70000363 or 70000364) over the MICRO 1-EV logo on the front of the door.
7. Refer to Installation Manuals for wiring instructions and programming, note previous wire locations and tags.

Extra hardware has been included to accommodate various field configurations.

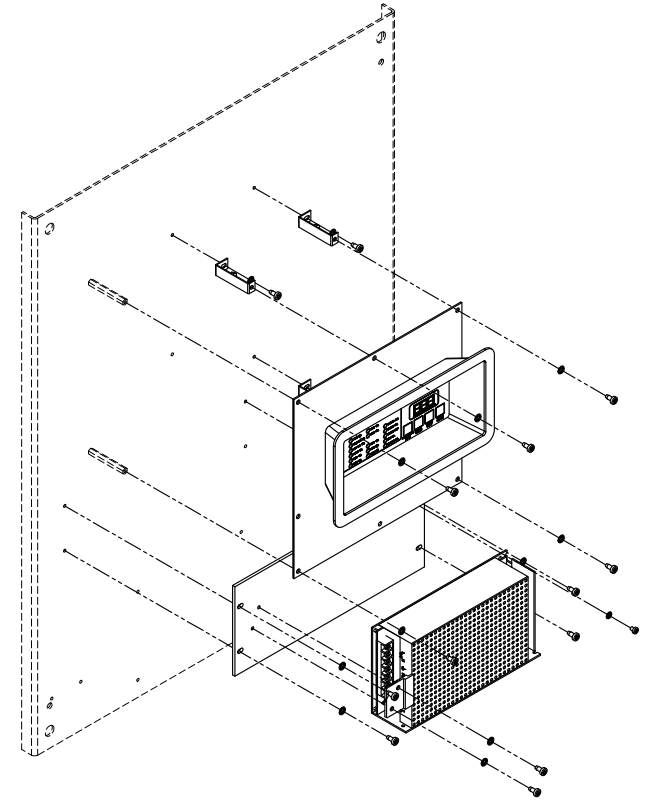


Figure 1: Installation Diagram