



PNEUMATIC ACTUATORS

ACT-200



SPRING RETURN
"ASR"



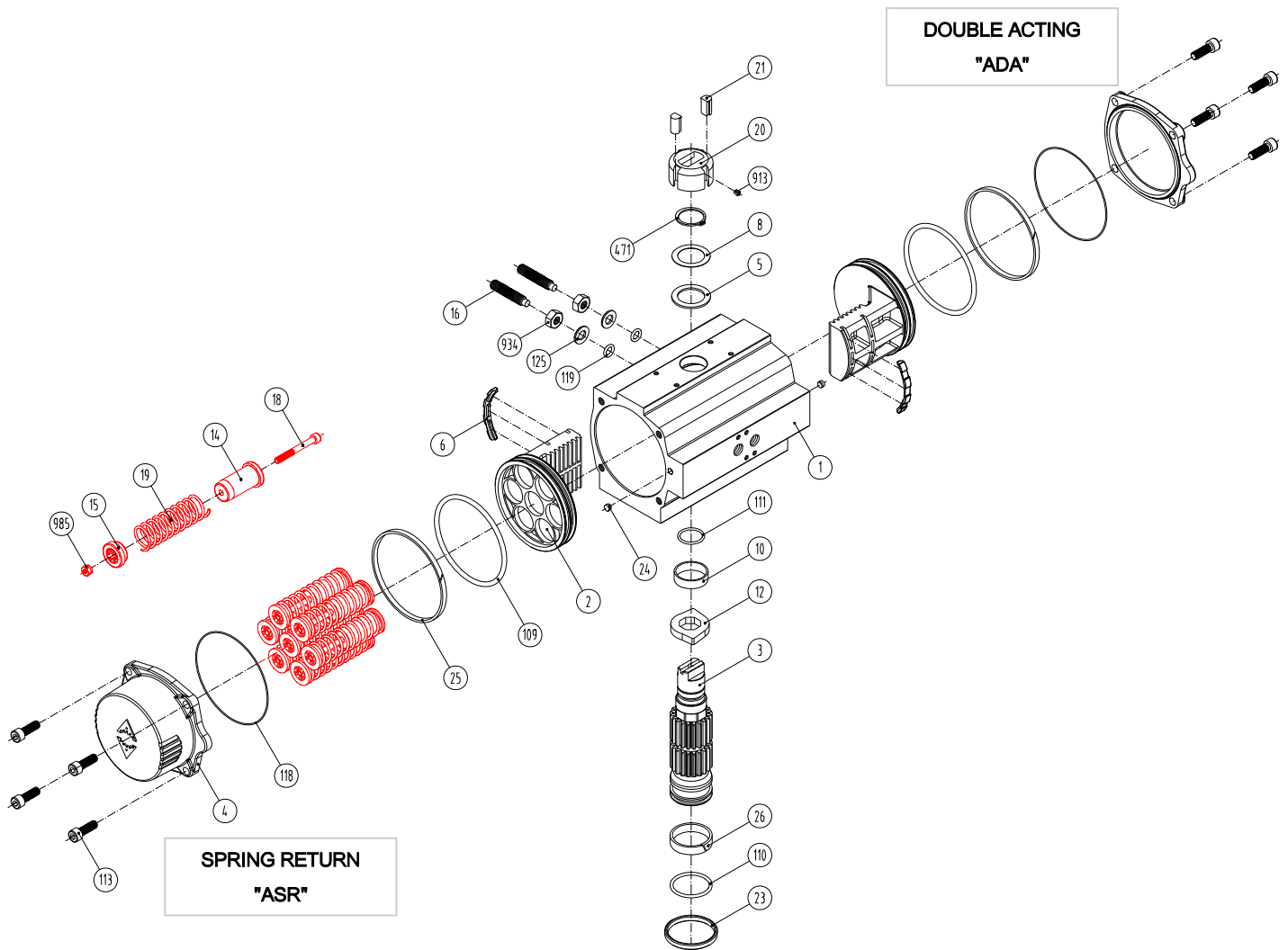
DOUBLE ACTING
"ADA"

Ex II 2 G D C - LCIE 05 AR 022



PNEUMATIC ACTUATORS

Parts and materials



Item	Description	Material	Item	Description	Material
1	Body	Aluminium Hard Anodized	23	Centering Ring	Nickel Plated Carbon Steel
2	Piston	Aluminium	24	Plug Air Stop	NBR
3	Pinion	Nickel Plated Carbon Steel	25	Slide Guide	Resin
4	End Caps	Aluminium Epoxy Coated	26	Lower Pinion Bearing	Hostalen
5	Soft Pinion Washer	Nylon 6.6	109	O-Ring	NBR
6	Slide Piston	Polyamide	110	O-Ring	NBR
8	Pinion Washer	Stainless Steel	111	O-Ring	NBR
10	Upper Pinion Bearing	Hostalen	113	Bolt	Stainless Steel
12	Stop	A-216 WCB	118	O-Ring	NBR
14	(*) Spring's Long Support	Nylon 6.6	119	O-Ring	NBR
15	(*) Spring's Short Support	Nylon 6.6	125	Washer	Stainless Steel
16	Leveling Screw	A4 - 70	913	Set Screw	Stainless Steel
18	(*) Bolt	Stainless Steel	471	External Circlip	Stainless Steel
19	(*) Spring	DIN 2076 -D-5.6	934	Nut	Stainless Steel
20	Position Indicator	Polyamide	985	(*) Nut	Stainless Steel
21	Cam	Polyamide			

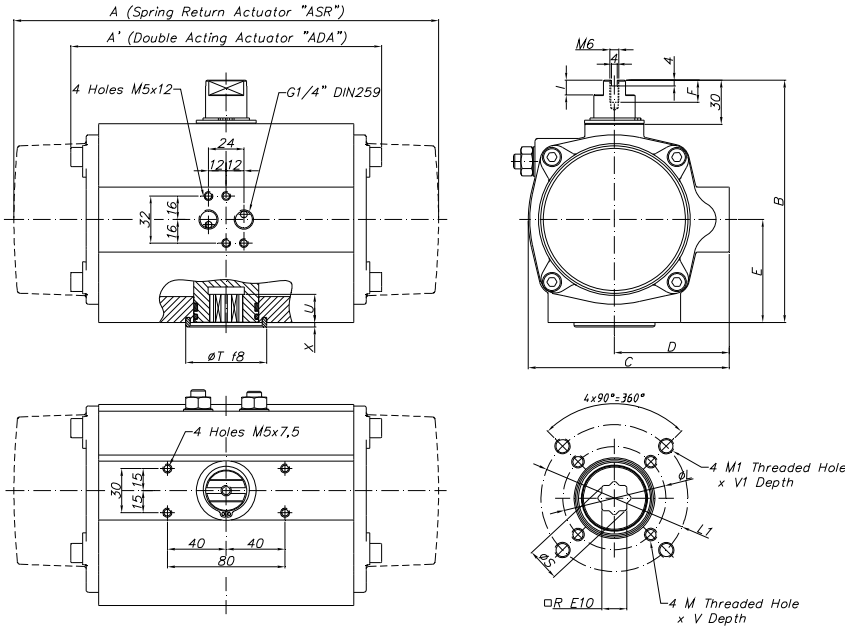
(*) Only for serie **ASR**



PNEUMATIC ACTUATORS

Dimensions, General Characteristics, Torque

Dimensions



A	A'	B	C	D	E	F	I	R	ØS	ISO	ØL	M x V	ISO	ØL1	M1 x V1	ØT	X	U
299	225	165	135,5	78	70	15	10	17	22,5	F07	70	M8x16	F10	102	M10x16	55	3	23

(*) Dimensions in mm

GENERAL CHARACTERISTICS	Serie ADA Serie ASR	Actuator Actuator	Double Spring	Acting Return
DESIGN STANDARDS				
Mounting of solenoid valves	NAMUR Std.			
Mounting of devices	NAMUR VDI	NAMUR VDE 3845 Std.		
Coupling according	ISO 5211	DIN 3337		
Marking	⊕ II 2 G D c LCIE 05 AR 022			
TESTS AND CERTIFICATES				
Quality Assurance	ISO 9001			

Max. Pressure	Rotation	Screw stroke Adjustment	Chamber Ø (mm)	Air Volume (L)		Stroke Time (Sec. (A))		Operating Temperature (°C) (B)		
				Opening	Closing	Opening	Closing	STD (standard)	HT (high temp.)	LT (low temp.)
8 bar	90° ±5°	For 1° Need 1/4 Turn	104,6	1,19	1,2	D 0,15	D 0,22	NBR "O" Ring	FPM "O" Ring	Silicone "O" Ring
						S 0,5	S 0,6	-20° to +80°	-15° to +150°	-40° to +80°

Double Acting Actuator "ADA" Torque Output in Nm

TYPE	Output Torque For Double Acting in Nm											Weight (Kg)									
Pressure	3 bar		3,5 bar		4 bar		4,5 bar		5 bar		5,5 bar		6 bar (A)		6,5 bar		7 bar		8 bar		
	0°	90°	0°	90°	0°	90°	0°	90°	0°	90°	0°	90°	0°	90°	0°	90°	0°	90°	0°	90°	
D	88		102		117		131		146		161		175		190		205		234		5,6

Spring Return Actuator "ASR" Torque Output in Nm

TYPE	Output Torque For Spring Return in Nm																Spring stroke		Weight (Kg)				
Pressure	3 bar		3,5 bar		4 bar		4,5 bar		5 bar		5,5 bar		6 bar (A)		6,5 bar		7 bar			8 bar			
	0°	90°	0°	90°	0°	90°	0°	90°	0°	90°	0°	90°	0°	90°	0°	90°	0°	90°	0°	90°	END	STAR	
S06	61	49	76	63	90	78	105	92	119	107	134	122	149	136	163	151	178	166	207	195	31	46	6,5
S08			67	50	81	65	96	79	111	94	125	109	140	123	154	138	169	152	198	182	42	61	6,7
S10					72	52	87	66	102	81	116	96	131	110	146	125	160	139	189	169	52	77	6,9
S12 (A)							78	53	93	68	107	83	122	97	137	112	151	126	180	156	63	92	7,0
S14											99	70	113	84	128	99	142	113	172	143	73	107	7,3