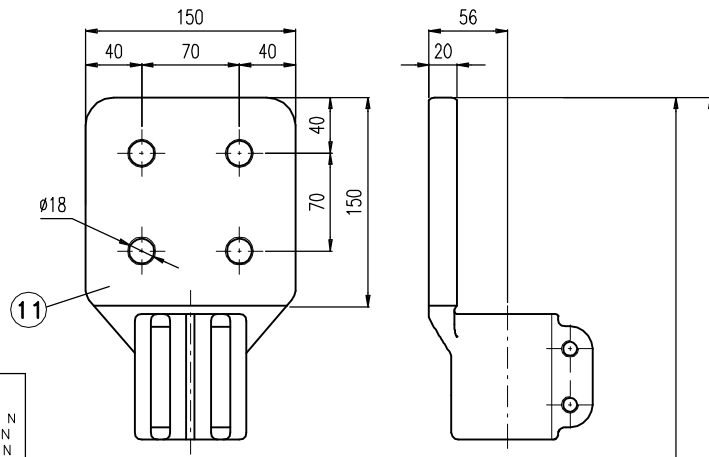
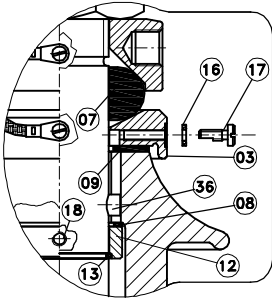


CANTILEVER OPERATING LOAD
 - VERTICAL: 1575 N
 - INCLINED 30°: 945 N
 - OPERATING TEST LOAD: 3150 N

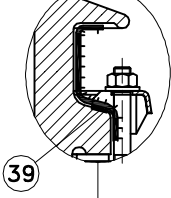


Style F0

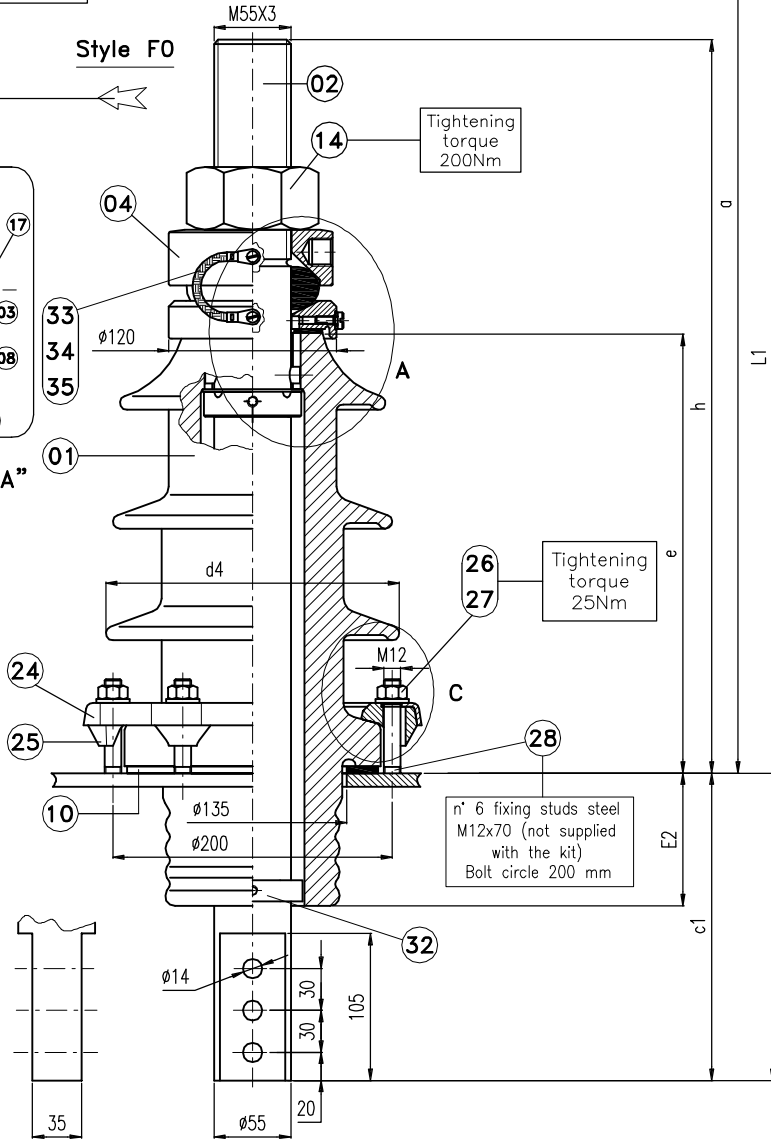


View "A"

View "C"



30F/4500 upon request can be supplied with metalization (30F/4500.M)



Style C5

Style E1

Pos.	Description
1	Porcelain
2	Copper rod
3	Brass cap "E"
4	Brass top washer "F"
7	NBR ring gasket "J"
8	Gasket "O"
9	NBR gasket "M"
10	NBR Flange gasket "N"
11	Brass flag
12	Brass ring "P"
13	Copper ring "S"
14	Brass nut M55 DIN 934
16	Fiber gasket
17	Vent/screw "R"
18	Locking screw
23	Bronze contact ring "U"
24	Alluminium fixing ring "D"
25	Alluminium clamping piece "F"
26	Nuts M12 DIN934 (AISI304)
27	Washer ø13 (AISI304)
28	Fixing stud M12x70 (not supplied)
29	Brass nut M55 DIN934
30	Brass locknut M55 DIN936
32	Center ring
33+35	Equipotential link
39	Copper spacer ring

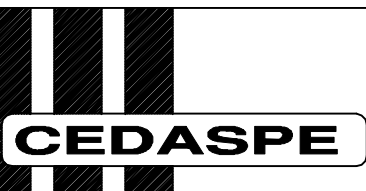
Bushing Acc. to IEC 60137 ed. 6.0

Bushing	Voltage kV	Current A	Creepage distance mm	PF I ₁ kV	BIL kV	a mm	b1 mm	C1 mm	d4 mm	e mm	E2 mm	h mm	L1 mm	Z n° of sheds	G.W. Kg	Rod E1 LT mm	Rod C5 LT mm
10F/4500	12	4500	290	30	75	600	215	210	190	239	86	455	810	2	39	670	665
20F/4500	24	4500	440	55	125	675	225	220	210	314	96	530	895	3	47	755	750
30F/4500	36	4500	680	77	170	780	250	245	230	419	121	635	1025	4	55	885	880
30F/4500.M			575*														
36/4500-P3	36	4500	920	77	170	780	250	245	260	419	103	635	1025	5	55	885	880
36/4500-P3.M			830*														

Remark: using porcelain type 36/3150-p3 with hardware 30/4500

*NOTE: Reduced CD for porcelain with metalization

THE FIGURE SHOWS THE BUSHING 20/4500 (1:5 SCALE)



Titolo
**OUTDOOR TRANSFORMER
 BUSHING 12-24-36 kV
 RATED CURRENT 4500A**

Data 11/03/13
 Scala 1:5
 Dis.
 Visto

Dis. Nr
3811
 1 2 3 4 5