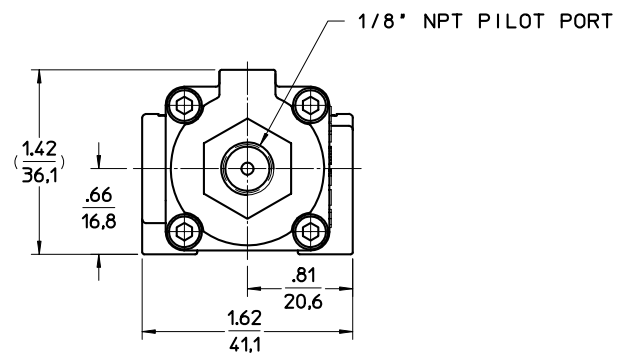
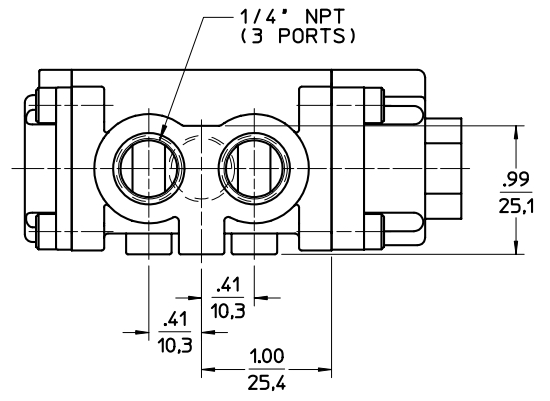
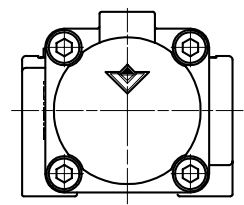
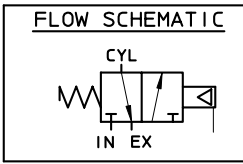
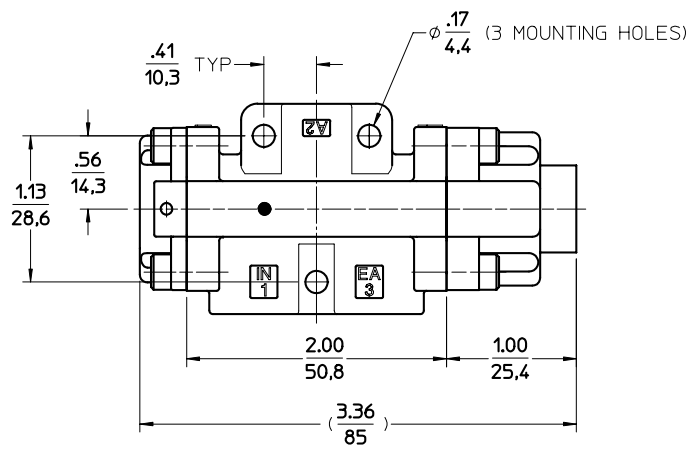


DWG. NO.
GCS-0115



REVISION LEVEL		
LTR	REVD/CKD BY	DESCRIPTION
A	NG 3-24-06	INITIAL RELEASE.
	JMC 3-24-06	

DRAWN BY NG 3-24-06	CHECKED BY JMC 3-24-06	ENG APP'D BN 3-27-06	ORIG EWR 13438	TITLE VALVE ASSEMBLY
MATL	SCALE 1:1	NEXT ASSY	DWG SIZE B	
HARDNESS	UNLESS OTHERWISE SPECIFIED			
HEAT TREAT	2 PLACE DECIMAL ±.010 ANGULAR DIMENSIONS ±1/2°			
	3 PLACE DECIMAL ±.003 BREAK CORNERS & EDGES .010			
	DIA'S ON SAME CENTERLINE CONCENTRIC WITHIN .006 T.I.R.			
	MACHINED SURFACES, FINISHED TO 64 R.M.S. MAX.			
FINAL FINISH	DO NOT SCALE DRAWING			
	THIS DRAWING IS CAD GENERATED AND THE PROPERTY OF VERSA PRODUCTS CO. INC.			
	USE AND/OR REPRODUCTION OF ANY PORTION MUST BE WITH THE APPROVAL OF VERSA			

VERSA PRODUCTS CO. INC.
PARAMUS N. J. U.S.A.
VERSA BV, NETHERLANDS
DWG. NO. GCS-0115