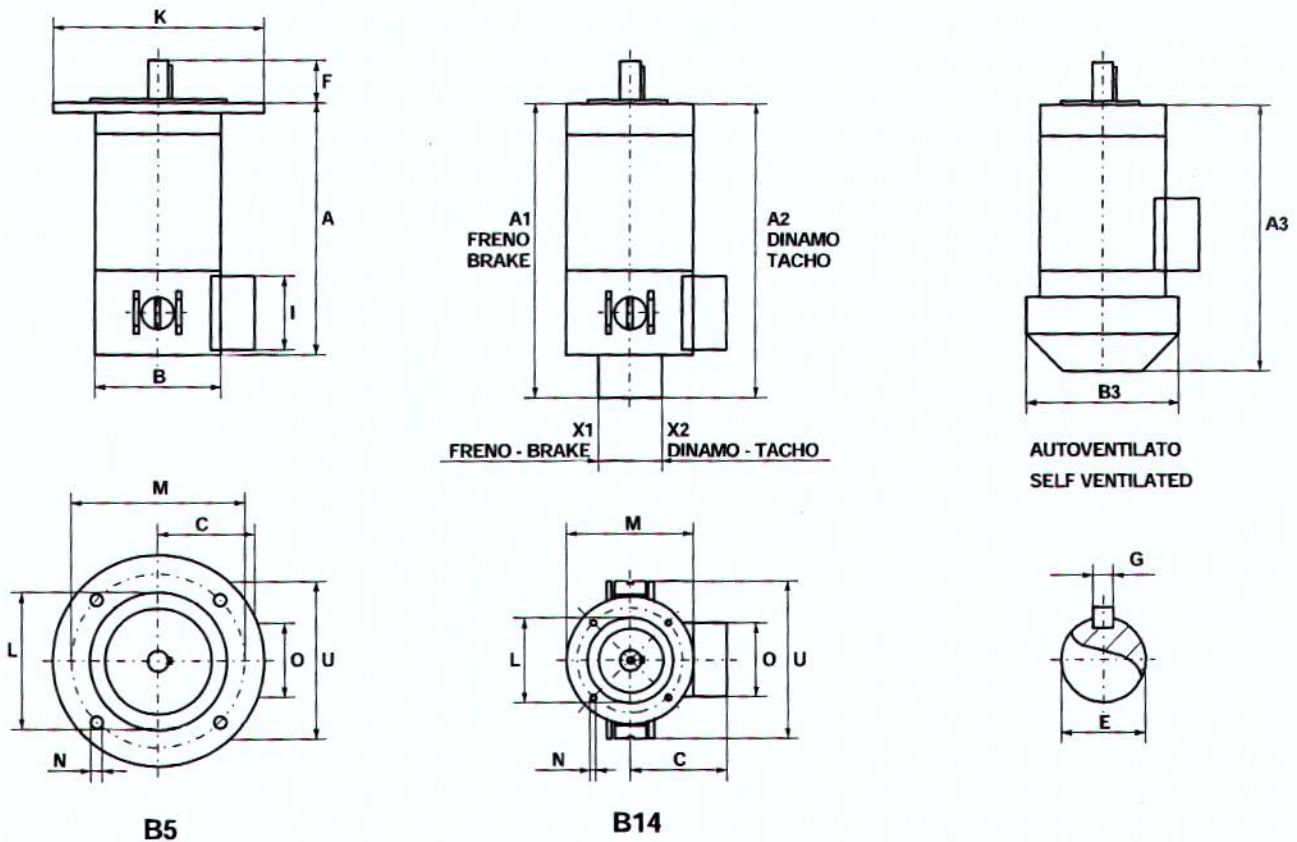


MPT



MPT	INGOMBRO DIMENSIONS											ALBERO SHAFT			FLANGIA B5 FLANGE B5				FLANGIA B14 FLANGE B14				PESO WEIGHT KG	
	A	B	C	I	O	U	A1	X1	A2	X2	A3	B3	E	F	G	K	L	M	N	K	L	M		N
40	139	80	78	29	29	106	183	59	219	65	165	110	9	18	3	120	80	100	7	80	50	65	M5	2
50	149	80	78	29	29	106	193	59	229	65	175	110	9	18	3	120	80	100	7	80	50	65	M5	2.3
65	161	80	78	29	29	106	205	59	241	65	187	110	9	18	3	120	80	100	7	80	50	65	M5	2.7
80	174	80	78	29	29	106	218	59	254	65	200	110	9	18	3	120	80	100	7	80	50	65	M5	3.1
100	194	80	78	29	29	106	238	59	274	65	220	110	11	23	4	140	95	115	9	90	60	75	M5	3.7
150	249	80	78	29	29	106	293	59	329	65	275	110	11	23	4	140	95	115	9	90	60	75	M5	4.8
201	184	105	84	71	71	136	234	87	264	65			14	30	5	160	110	130	9	105	70	85	M6	4.5
201	237	105	84	71	71	136	287	87	317	65			14	30	5	160	110	130	9	105	70	85	M6	7
203	248	120	92	71	71	150	305	105	328	65			19	40	6	200	130	165	11	120	80	100	M6	10
204	284	120	92	71	71	150	341	105	364	65			19	40	6	200	130	165	11	120	80	100	M6	12

MPT

MPT	V	1500rpm		2000rpm		2400rpm		3000rpm		COPPIA TORQUE	CTT
		W	A	W	A	W	A	W	A		
40	12	50	5.5	67	7.3	80	8.8	100	11	Nm 0.33	Min' 45
	24	50	2.7	67	3.6	80	4.4	100	5.5		
	48	50	1.4	67	1.8	80	2.2	100	2.7		
	90	50	0.73	67	0.97	80	1.16	100	1.45		
	170	50	0.39	67	0.50	80	0.62	100	0.77		
50	12	70	7.5	95	10	110	11.7	140	15	Nm 0.46	Min' 45
	24	70	3.5	95	4.8	110	6	140	8		
	48	70	1.8	95	2.4	110	3	140	4		
	90	70	1	95	1.4	110	1.6	140	2		
	170	70	0.55	95	0.75	110	0.9	140	1.1		
65	12	100	10.7	135	14.4	160	17	200	21.4	Nm 0.65	Min' 45
	24	100	5.4	135	7.2	160	8.5	200	10.7		
	48	100	2.7	135	3.6	160	4.3	200	5.4		
	90	100	1.4	135	1.9	160	2.3	200	2.9		
	170	100	0.75	135	1	160	1.2	200	1.5		
80	12	125	13.5	165	18	200	21.5	250	27	Nm 0.82	Min' 45
	24	125	6.7	165	9	200	10.8	250	13.5		
	48	125	3.4	165	4.5	200	5.4	250	6.7		
	90	125	1.8	165	2.4	200	2.9	250	3.6		
	170	125	0.95	165	1.3	200	1.5	250	1.9		
100	12	150	16	200	21.4	240	25.6	300	32	Nm 0.98	Min' 45
	24	150	8	200	10.7	240	12.8	300	16		
	48	150	4	200	5.3	240	6.4	300	8		
	90	150	2.1	200	2.8	240	3.4	300	4.3		
	170	150	1.1	200	1.5	240	1.8	300	2.4		
150	12	200	21.5	265	28.4					Nm 1.30	Min' 45
	24	200	10.7	265	14.2	320	17.2	400	21.5		
	48	200	5.4	265	7.1	320	8.5	400	10.7		
	90	200	2.9	265	3.8	320	4.6	400	5.7		
	170	200	1.5	265	2	320	2.4	400	3		
201	12	175	18.6	235	25	280	30	350	37	Nm 1.14	Min' 60
	24	175	9.3	235	12.5	280	15	350	18.7		
	48	175	4.7	235	6.3	280	7.5	350	9.4		
	90	175	2.5	235	3.3	280	4	350	5		
	170	175	1.3	235	1.8	280	2.1	350	2.8		
202	12	300	32							Nm 1.96	Min' 60
	24	300	16	400	22	480	25.6	600	32		
	48	300	8	400	11	480	12.8	600	16		
	90	300	4.3	400	5.8	480	6.9	600	8.7		
	170	300	2.3	400	3.1	480	3.7	600	4.6		
203	48	450	12	600	16	720	19.2	900	24	Nm 2.94	Min' 60
	90	450	6.4	600	8.6	720	10.2	900	12.8		
	170	450	3.4	600	4.5	720	5.5	900	6.8		
204	48	600	16.5	800	21.4	960	26.4	1200	33	Nm 3.92	Min' 60
	90	600	8.5	800	11.4	960	13.6	1200	17		
	170	600	4.6	800	6	960	7.2	1200	9		