



### Uses

- Motor driven pumps or compressors
- Electrical generators, textile machines
- Iron and steel plants, cement factories.

### Determining torque

$$T_{MN} = \frac{N_{kW} \times 9550}{n_{rpm}} = (\text{Nm})$$

Service factor K :

Service	Electric motor Steam turbine	Combustion engine hydraulic turbine
Uniform S1	1.0	1.5
Light S2	1.5	2.0
Medium S3	2.0	2.5
Heavy S4	2.5	3.0
Very heavy S5	3.0	3.2

Temperature factor St:

St	-20°C	0°C	+20°C	+40°C	+60°C	+70°C	+80°C
	1,0	1,0	1,0	1,0	1,2	1,4	1,6

$$T_{MN} \times K \times St \leq T_{CN} \text{ coupling}$$

$$n \text{ inst.} \leq n_{MAX} \text{ coupling}$$

$$\text{shaft diameter} \leq d_{MAX} \text{ coupling}$$



### Safety precautions

The tyre is cut to allow mounting/dismounting in a radial direction. Depending on the speed and torque transmitted, an axial force will be generated which must be absorbed by the bearings in the coupled machines. The tyre may expand by up to 5% during use which must be taken into account when choosing a protective housing.

Part number	Nominal torque	Max. torque	Max. speed	Moment of inertia	Misalignment		
	TCN (Nm)	TCmaxi. (Nm)	(rpm)	(kgm <sup>2</sup> )	Axial (Nm)	Radial (Nm)	Angular
PNA2-203R	50	150	5000	0,001	1,0	0,75	2°
PNA6-206R	100	300	5000	0,003	1,5	1,00	2°
PNA16-210R	200	600	4000	0,013	2,0	1,30	2°
PNA40-214R	400	1200	4000	0,035	2,5	1,60	2°
PNA63-218R	800	2400	3000	0,105	3,0	2,10	2°

Dimensions in mm

# PERIFLEX® elastic coupling

Torque: 50 to 2400Nm

PNA

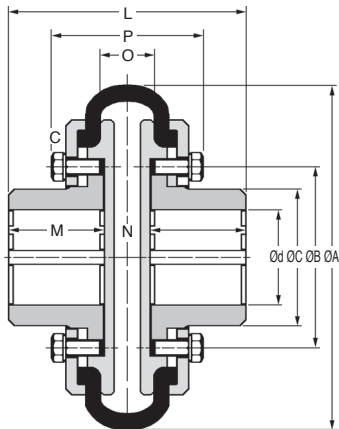
- Easy installation, machines to be coupled will not require to be moved
- Backlash free
- Can transmit shocks up to 3 times the value of nominal torque
- Quickly damps vibrations
- Maintenance free

## Characteristics

- Large axial misalignment up to 6mm
- radial up to 5mm
- angular up to 2°
- Keyway in accordance with NF E22-175/P9 (J59)
- Working temp.: -20°C to +80°C
- Materials:
  - Hub: Steel
  - Locking assembly: Steel
  - Tyre: Natural rubber with rubber inserts

## Options

- Alternative tyre materials (inserts mounted in X pattern)



## DISCOUNTS

Qty.	1+	5+	10+
Disc.	List	-3%	On request

Part number solid coupling	ØA	ØB	ØC	L	M	Ød max.	Ød pre-bore	Ød Standard bores (H7)	
PNA2-203R	104	54	40	70	30	28	plein	10, 15, 19, 20, 25, 28	
PNA6-206R	136	68	55	110	45	38	plein	10, 15, 20, 25, 30, 35, 38	
PNA16-210R	178	88	70	130	50	48	15	20, 25, 30, 35, 38, 48	
PNA40-214R <sup>(1)</sup>	210	116	92	160	65	65	15	20, 25, 30, 35, 40, 45, 50, 55, 60, 65	
PNA63-218R <sup>(1)</sup>	263	140	107	190	75	75	25	30, 35, 40, 45, 50, 55, 60, 65, 70, 75	

Part number solid coupling	N	O	P	Number of screws		Locking torque (Nm)	Weight (kg)	Stock* prebored	Price each 1 to 4 full or bored prebored keyway	
				Screw	Screw					
PNA2-203R	8	16	66	12	M6	4 <sup>(2)</sup>	1,15	✓	287,56 €	486,94 €
PNA6-206R	8	18	74	16	M6	6 <sup>(2)</sup>	2,50	✓	381,50 €	601,97 €
PNA16-210R	19	35	100	16	M8	15 <sup>(2)</sup>	5,40	✓	483,11 €	705,49 €
PNA40-214R <sup>(1)</sup>	20	38	99	24	M8	20	9,50	-	703,58 €	939,39 €
PNA63-218R <sup>(1)</sup>	24	44	121	16	M12	25	17,50	-	960,48 €	1.253,80 €

\*Depending on availability - Dimensions in mm