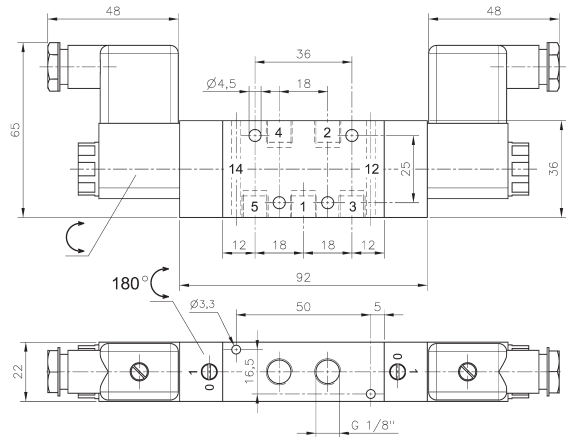
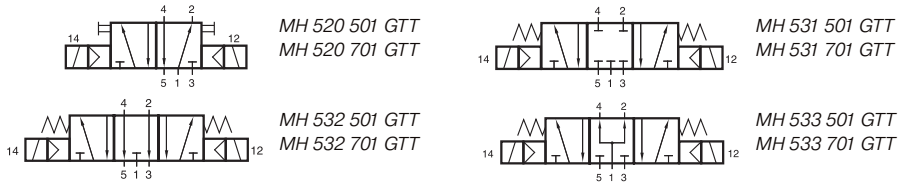


# MH 520 501 GTT/MH 520 701 GTT MH 53\_ 501 GTT/MH 53\_ 701 GTT



**MH 520 501 GTT/MH 53\_ 501 GTT**

5-way solenoid valve for low temperature environment - 50° C to + 50° C.

- Type 520      5/2-way double solenoid, actuated by impulse
- Type 531      5/3-way centre closed
- Type 532      5/3-way centre exhausted
- Type 533      5/3-way centre pressurized

Valves are dual use, they can be used in-line as well as on manifold plates. Manifolds for valves type 501 G are displayed on page 2.7.2.2, manifold for valves type 701 G are displayed on page 2.7.2.3

Available with solenoid operators  
230V/50 Hz, 110V/50 Hz, 24V/50 Hz, 48V=, 24V=, 12V=.

Valves are equipped with manual override to turn.

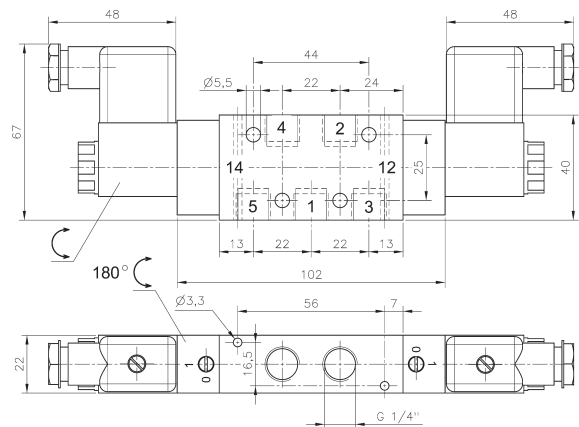
Please notice:  
When operated below 0° C the pressure condensation point has to be at least 15° C below the temperature of environment and media. Air has to be dried!

Below - 40° C the leakage-rate of the valve can increase to 10 cm<sup>3</sup> /min.  
Use unlubricated air only.

For type 531: pressure at port 1 has to be ≥ pressure at 2 and 4. If pressure supply is lost, 2 or 4 can exhaust and actuator might move.

Valves are also available with external pilot feed.

NPT ported valves are available on request.



**MH 520 701 GTT/MH 53\_ 701 GTT**

Type	Port size	Air flow	Operating press.	Power consumption	Weight
MH 520 501 GTT	G 1/8"	650 l/min	1 - 10 bar	3 W = / 5 VA ~	0,38 kg
MH 520 701 GTT	G 1/4"	1250 l/min	1 - 10 bar	3 W = / 5 VA ~	0,40 kg
MH 53_ 501 GTT	G 1/8"	650 l/min	3 - 10 bar	3 W = / 5 VA ~	0,38 kg
MH 53_ 701 GTT	G 1/4"	1250 l/min	3 - 10 bar	3 W = / 5 VA ~	0,40 kg