



- Compact absolute linear encoder with SSI interface
- Measurement length up to 5 m
- Mounting tolerances with airgap up to 1 mm
- Resolution from 100 to 5  $\mu\text{m}$
- Diagnostic LED for clearance/gap error (Error bit available on request)
- Unaffected by dust, debris or liquids



SMA5

### ENVIRONMENTAL SPECIFICATIONS

Shock:	250 g, 6 ms acc. to CEI EN 60068-2-27
Vibrations:	10 g, 5-2000 Hz acc. to CEI EN 60068-2-6
Protection:	IP67
Operating temperature range:	-25°C +85°C (-13°F +185°F)
Storage temperature range:	-40°C +100°C (-40°F +212°F)

### MECHANICAL SPECIFICATIONS

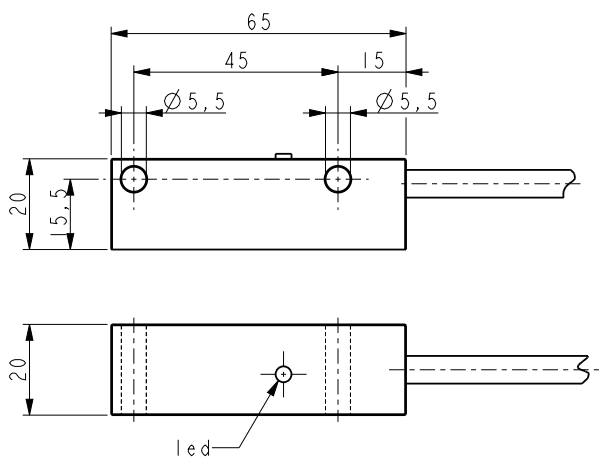
Dimensions:	see drawing
Housing material:	anticorodal, UNI EN AW-6082
Electrical connection:	Lika Hi-flex cable M8 2,0 m or M12 8 pin inline plug
Gap between sensor/tape:	0,1 ÷ 1,0 mm
Travel speed (mechanical):	5 m/s max.
Measurement length:	5,05 m max. Measurement length = tape length - 65 mm

### ELECTRICAL SPECIFICATIONS

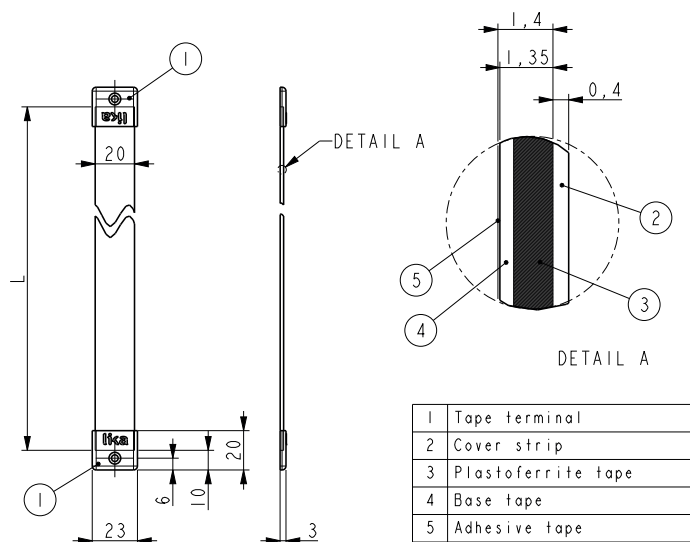
Resolution:	100, 50, 10, 5 $\mu\text{m}$
Sensor accuracy:	$\pm 20 \mu\text{m}$ max.
Repeat accuracy:	$\pm 1$ increment
Output circuits:	SSI
Position refresh:	250 $\mu\text{s}$
Power supply:	+10Vdc ÷ +30Vdc
Power consumption:	1 W max.
Protection:	against inversion of polarity and short-circuit
EMC:	acc. to EN 61000-6-2 level 3
Functions:	Zero setting, Counting direction
Options:	Power supply +5Vdc $\pm 5\%$ Error bit + Parity bit output

### ACCESSORIES

MTA5:	Magnetic tape
E-M12F8:	M12 8 pin mating connector
EC-M12F8-LK-M8-5:	cordset with 5 m cable
EC-M12F8-LK-M8-10:	cordset with 10 m cable
KIT LKM-1439:	Set of tape terminals (10 pcs)



SMA5



MTA5

Order code - Sensor

SMA5	-	XX a	-	XXX b	-	XXX c	/Sxxx d
------	---	---------	---	----------	---	----------	------------

<p><b>a) OUTPUT CIRCUIT</b> GA = Gray, SSI LSB aligned</p>	<p><b>b) RESOLUTION</b> 100 = 0,1 mm 50 = 0,05 mm 10 = 0,01 mm 5 = 0,005 mm</p>	<p><b>c) CONNECTIONS</b> L2 = cable output 2 m Lx = cable output x m M0,5 = 0,5 m cable + M12 8 pin inline plug M2 = 2 m cable + M12 8 pin inline plug</p>	<p><b>d) CUSTOM VERSION</b></p>
--	---	--	---------------------------------

Order code - Magnetic tape

MTA5	-	XX a	-	XX b	-	X c	/Sxxx d
------	---	---------	---	---------	---	--------	------------

<p><b>a) TAPE LENGTH</b> 0,1 = 0,1 m      1 = 1 m 0,2 = 0,2 m      1,5 = 1,5 m ... = ...      ... = ... 0,5 = 0,5 m      5,1 = 5,1 m</p>	<p><b>b) ACCURACY CLASS</b> 50 = ±35 µm</p>	<p><b>c) COVER STRIP</b> 0 = not supplied 1 = supplied</p>	<p><b>d) CUSTOM VERSION</b></p>
--	---	--	---------------------------------