

3 Mounting the CA-2 Chassis to the Backbox

Align the keyholes on the chassis with the mounting studs on the backbox. Fasten securely with the four #8 washers and hex nuts provided with the chassis (P/N 43123 and 36047). The CA-2 Chassis will fit in the CAB-4 Series backboxes size "B" or larger. The dress panel DPA-2 mounts over the chassis with the built-in quarter-turn screws.

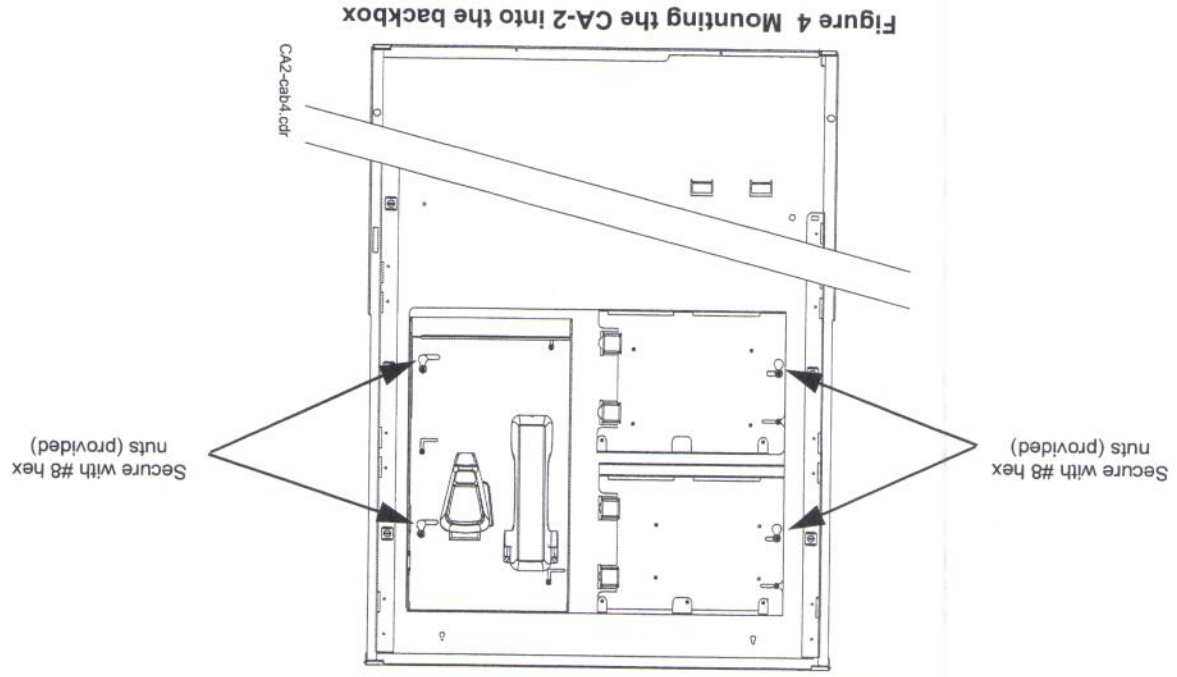


Figure 4 Mounting the CA-2 into the backbox

Figure 2 Installing Microphone Bracket and Optional Telephone Cradle

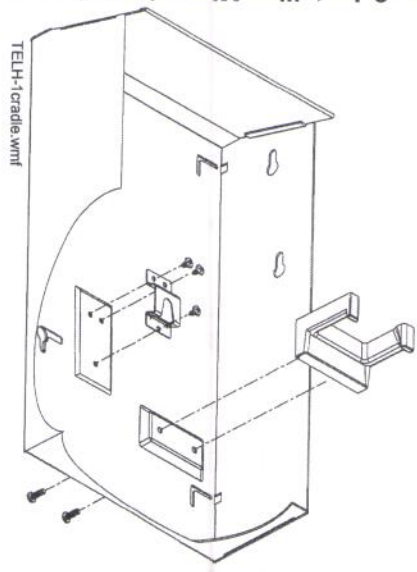


Figure 3 Threading the Microphone and Telephone Cords

