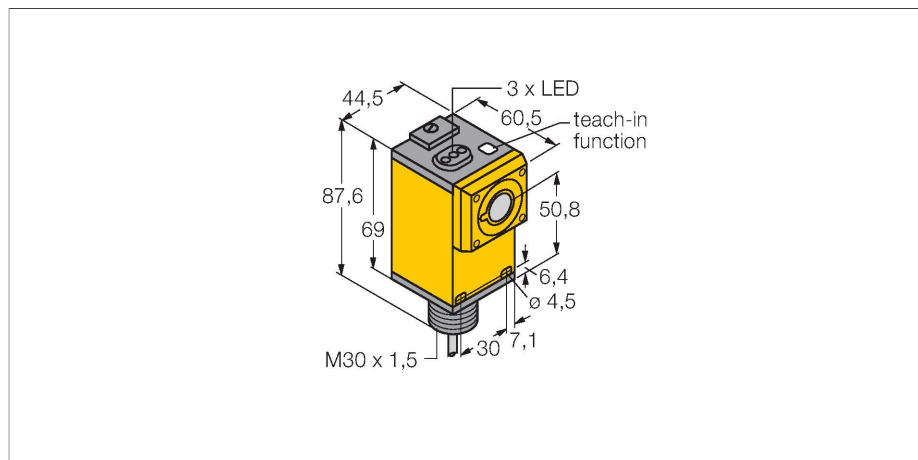


Q45UBB63DA

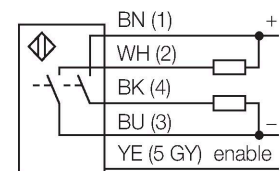
Ultrasonic Sensor – diffuse mode sensor



Features

- Start and End of switching range adjustable via teach button
- NO/NC output function
- Response time, adjustable
- Pump function
- PNP/NPN transistor output (NO contact)
- Aperture angle of sonic cone 15 °

Wiring diagram



Technical data

Type	Q45UBB63DA
ID	3044128
Ultrasonic data	
Function	Proximity switch
Range	100...1400 mm
Ultrasound frequency	230 kHz
Repeatability	≤ ± 1 mm
Temperature drift	≤ 0.13 % of full scale/K
Electrical data	
Operating voltage	12...24 VDC
Response time typical	< 20 ms
Output function	NO contact, PNP/NPN
Switching frequency	≤ 50 Hz
Hysteresis	≤ 0.5 mm
Short-circuit protection	yes / Cyclic
Reverse polarity protection	Complete
Mechanical data	
Design	Rectangular, Q45
Radiation direction	straight
Dimensions	60.5 x 44.5 x 87.6 mm
Housing material	Plastic, PBT
Transducer material	Plastic, Epoxyd resin and PU foam
Electrical connection	Cable, 2 m, PVC
Ambient temperature	-25...+70 °C
Relative humidity	100 %
Protection class	IP67

Functional principle

Ultrasonic sensors detect a multitude of objects contactless and wear-free with ultrasonic waves. Regardless of whether the object is transparent or opaque, metallic or non-metallic, liquid, solid or powdery. Even environmental conditions such as spray, dust or rain hardly affect their function.

Technical data

Tests/approvals

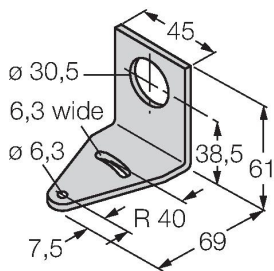
MTTF 50 years acc. to SN 29500 (Ed. 99) 40 °C

Approvals CE

Accessories

SMB30A

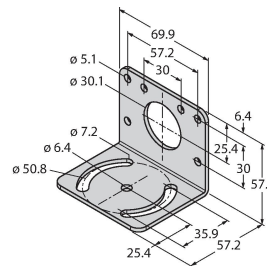
3032723



Mounting bracket, rectangular, stainless steel, for sensors with 30mm thread

SMB30MM

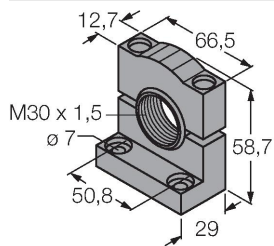
3027162



Mounting bracket, rectangular, stainless steel, for sensors with 30 mm thread, wide holes for accurate alignment

SMB30SC

3052521



Mounting bracket, PBT black, for sensors with 30 mm thread, rotatable