
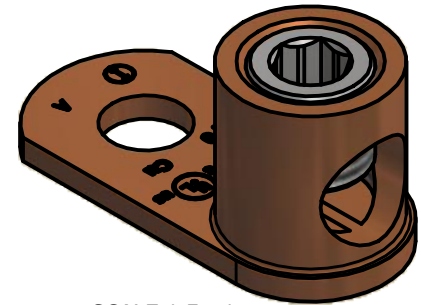
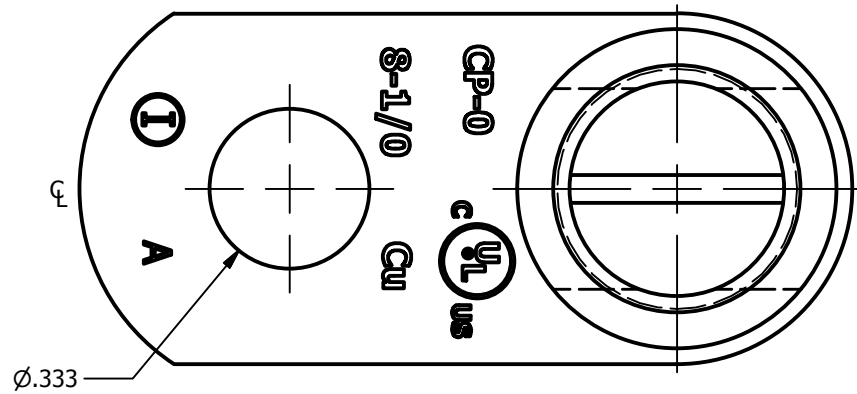


SCREW: E1584	MATERIAL: COPPER	REV: E.1	 800-776-9775 www.ilsco.com
CAT. NO.: CP-0	PLATING: SEE CHART	DRAWN BY: JG SCALE: 1=1	
INFORMATION SHEET: FORM 2	MARKING: SEE BELOW	DATE: 10/22/2007 SIZE: A	
		DWG. NO.	<b>R0594</b>
		SHEET: 1 OF 1	



SCALE 1.5 : 1

