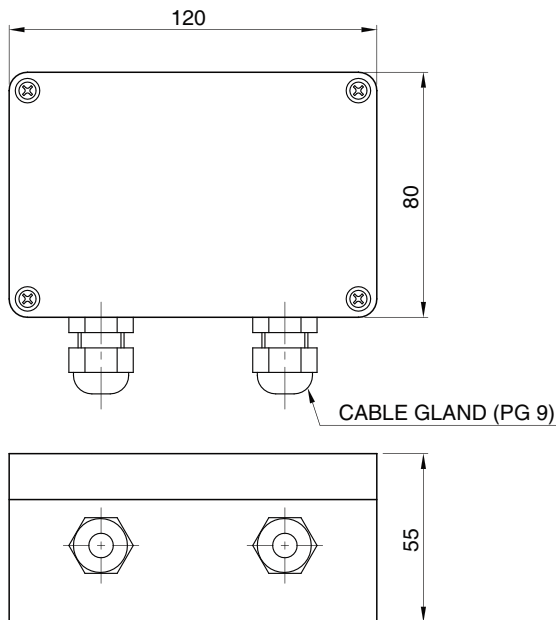


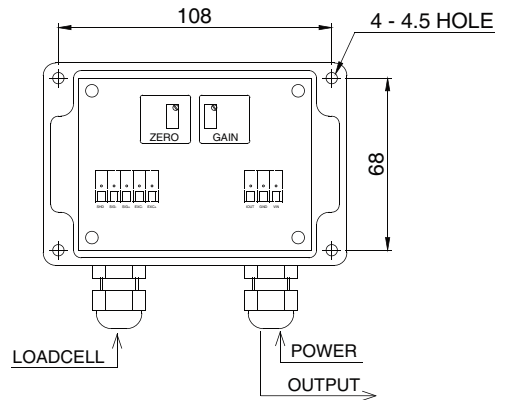
## Model BSMP-120 Series

Analog Transmitter



### SPECIFICATIONS

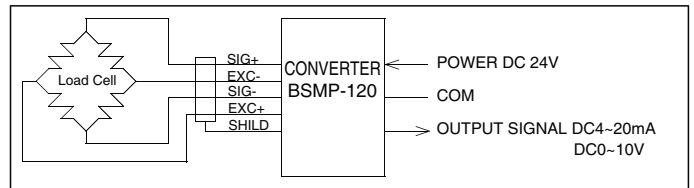
Model	BSMP - 120A / BSMP - 120V
Input range	0 ~ (+)1mV/V, (+)2mV/V, (+)3mV/V Selectable
Load cell excitation	DC 10V, 60mA (350 Ohms x 2 load cell)
Output	DC 0~10V, 4~20mA
Non-linearity	Within 0.03% of full scale
Temperature drift	Zero : $\pm 0.2\mu\text{V}/^\circ\text{C}$ RTI max. Span : 10ppm/ $^\circ\text{C}$ max.
Operating temperature	-10 ~ 40 $^\circ\text{C}$
Power supply, Recommended	DC 24V (DC 15V ~ DC 30V)
Case material & protection	ABS, meets IP 67
Net weight	230g



### ORDERING INFORMATION

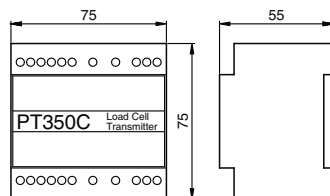
<b>BSMP</b>	-	<b>120A</b>
MODEL		120A : DC 4~20mA
BSMP		120V : DC 0~10V

### WIRING DIAGRAM



## Model PT350C Series

Analog Transmitter



### SPECIFICATIONS

MODEL	PT350C
Load cell type	All strain gauge type
Input range	0 ~ (+)1.5mV/V, (+)3mV/V Selectable
Load cell excitation	DC 10V, 120mA (350 Ohms x 4 load cell)
Output	DC 0~5V/0~10V, 0~20mA/4~20mA
Non-linearity	Within 0.05% of full scale
Operating temperature	-10 ~ 40 $^\circ\text{C}$
Power supply	DC 24V $\pm 10\%$
Case material & protection	ABS, meets IP 54
Net weight	150g

\* Specifications are subject to change without notice

JAN, 2010