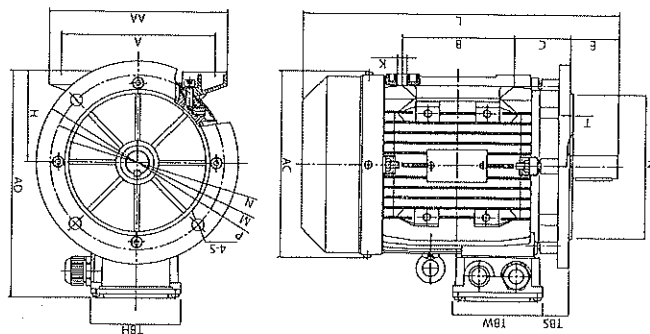


MS561-4	0.06	0.55	0.32	0.18	0.52	0.30	0.17	0.50	0.29	0.17	1320	48.5	0.59	2.3	2.4	0.478	2	6	50	3.00	0.000190
MS562-4	0.09	0.77	0.45	0.26	0.74	0.43	0.25	0.71	0.41	0.24	1320	50	0.61	2.3	2.4	0.498	2	6	50	3.30	0.000240
MS631-4	0.12	0.86	0.50	0.29	0.82	0.47	0.27	0.79	0.46	0.26	1350	57	0.64	2.2	2.4	0.93	2	6	52	3.90	0.000273
MS632-4	0.18	1.23	0.71	0.41	1.17	0.68	0.39	1.13	0.65	0.38	1350	59	0.65	2.2	2.4	1.28	2	6	52	4.30	0.000338
MS633-4	0.25	1.66	0.96	0.55	1.58	0.91	0.53	1.52	0.88	0.51	1350	60	0.66	2.2	2.4	1.77	2	6	54	4.80	0.000408
MS711-4	0.25	1.52	0.88	0.51	1.45	0.84	0.48	1.39	0.81	0.46	1350	60	0.72	2.2	2.4	1.78	1.7	6	55	5.40	0.000561
MS712-4	0.37	2.02	1.17	0.67	1.92	1.11	0.64	1.85	1.07	0.62	1370	65	0.74	2.2	2.4	2.62	1.7	6	55	6.20	0.000714
MS713-4	0.55	2.92	1.69	0.97	2.78	1.60	0.93	2.67	1.55	0.89	1380	66	0.75	2.2	2.4	3.86	1.7	6	57	7.30	0.000920
MS801-4	0.55	2.87	1.66	0.96	2.74	1.58	0.91	2.63	1.52	0.88	1370	67	0.75	2.2	2.4	3.87	1.8	6	58	9.00	0.001350
MS802-4	0.75	3.50	2.03	1.17	3.34	1.93	1.11	3.21	1.86	1.07	1380	72	0.78	2.2	2.4	5.27	1.9	6	58	10.00	0.001793
MS803-4	1.1	4.86	2.81	1.62	4.63	2.67	1.54	4.45	2.57	1.48	1390	76.2	0.78	2.2	2.4	7.61	1.6	6	60	12.30	0.002236
MS90S-4	1.1	4.80	2.78	1.60	4.57	2.64	1.52	4.40	2.54	1.47	1400	76.2	0.79	2.2	2.4	7.60	1.9	6	61	12.10	0.002443
MS90L1-4	1.5	6.27	3.63	2.09	5.97	3.45	1.99	5.75	3.32	1.92	1400	78.5	0.8	2.2	2.4	10.38	1.9	6	61	14.60	0.003152
MS90L2-4	2.2	8.91	5.16	2.97	8.45	4.90	2.83	8.17	4.72	2.72	1400	81	0.8	2.2	2.4	14.90	1.9	7	63	18.30	0.004002
MS100L1-4	2.2	8.80	5.09	2.93	8.38	4.84	2.79	8.07	4.66	2.69	1420	81	0.81	2.2	2.3	14.90	1.5	7	64	21.00	0.005977
MS100L2-4	3	11.77	6.81	3.92	11.21	6.47	3.74	10.79	6.24	3.60	1420	82.6	0.81	2.2	2.3	20.32	1.5	7	64	24.70	0.007591
MS100L3-4	4	15.20	8.80	5.07	14.18	8.36	4.83	13.94	8.06	4.65	1430	84.2	0.82	2.2	2.3	26.93	1.5	7	65	29.00	0.009626
MS112M-4	4	15.02	8.70	5.01	14.31	8.26	4.77	13.77	7.96	4.59	1430	84.2	0.83	2.2	2.2	26.90	1.5	7	65	30.50	0.012079
MS112L-4	5.5	20.29	11.75	6.76	19.93	11.16	6.44	18.60	10.76	6.20	1440	85.7	0.83	2.2	2.2	36.74	1.4	7	68	34.80	0.014229
MS132S-4	5.5	20.05	11.61	6.68	19.1	11.03	6.37	18.38	10.63	6.13	1450	85.7	0.84	2.20	2.20	36.72	1.4	7	71	40.40	0.031235
MS132M-4	7.5	26.62	15.41	8.87	25.35	14.64	8.45	24.40	14.11	8.13	1450	87	0.85	2.2	2.2	50.12	1.4	7	71	49.60	0.033131
MS132L1-4	10	35.08	20.31	11.69	33.42	19.3	11.14	32.16	18.60	10.72	1460	88	0.85	2.2	2.2	60.13	1.4	7.5	74	58.50	0.039339
MS132L2-4	11	37.97	21.98	12.66	36.17	20.88	12.06	34.81	20.13	11.60	1460	88.4	0.86	2.2	2.2	71.74	1.4	7.5	74	64.00	0.045478
MS160M-4	11	37.54	21.73	12.51	35.76	20.64	11.92	34.41	19.90	11.47	1460	88.4	0.87	2.2	2.2	71.78	1.4	7	75	78.00	0.07369
MS160L1-4	15	51.18	29.63	17.06	48.76	28.15	16.25	46.92	27.13	15.64	1460	88.4	0.87	2.2	2.2	97.83	1.4	7.5	75	98.00	0.101156
MS160L2-4	18.5	62.40	36.00	20.8	60.60	35.00	20.20	59.40	34.30	29.80	1460	88.7	0.86	2.2	2.2	120	1.4	7.5	78	97.50	0.127587
MS180M-4	18.5	62.40	36.10	20.80	59.7	34.3	19.8	57.20	33.10	19.10	1470	90.5	0.86	2.2	2.2	143	1.4	7.5	80	118.0	0.155064
MS180L-4	22	73.80	42.70	24.7	70.6	40.6	23.4	67.70	39.10	22.60	1470	91	0.86	2.2	2.2	143	1.4	7.5	80	128.0	0.173293
MS200L-4	30	99.50	57.60	33.20	95.1	54.7	31.6	91.20	52.70	30.40	1470	92	0.86	2.2	2.2	195	1.4	7.5	83	153.0	0.224084

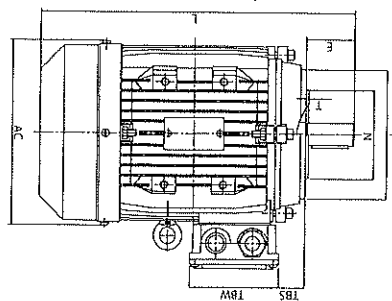
Type	Power (kW)	Current (A)			rpm	EFF (%)	Power factor (Cosφ)	Cs/Cn	Cmax/Cn	Cn (Nm)	Cmin/Cn	v/in	dB(A)	Weight (kg)	Pd² (kgm²)
		220V	380V	660V											

Electrical data (50Hz) Efficiency IE1 - 4 poles

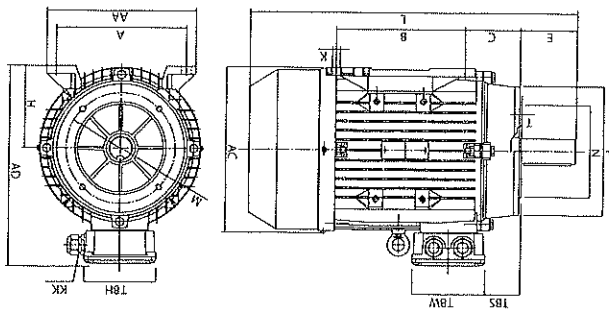
IM B35



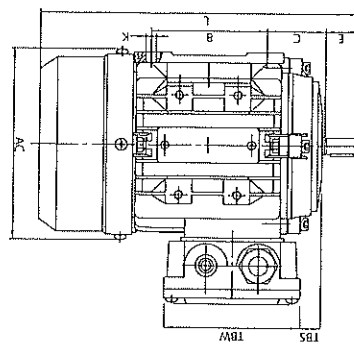
IM B14



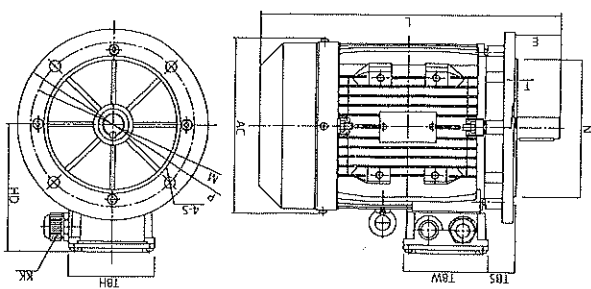
IM B34



IM B3



IM B5



Measures in mm