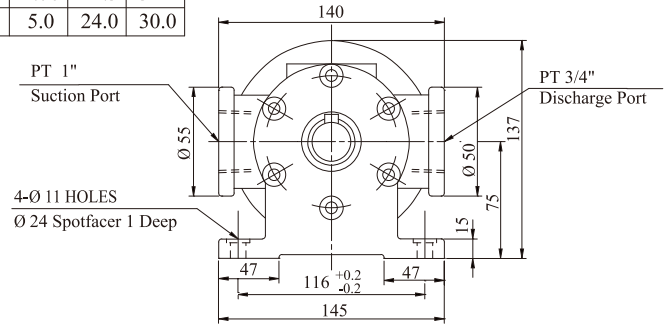
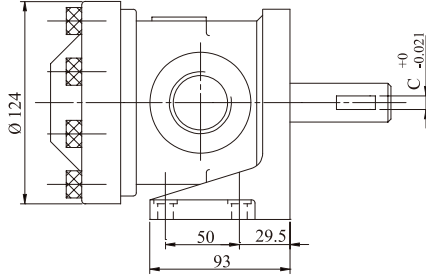


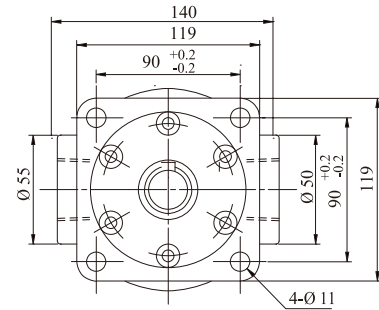
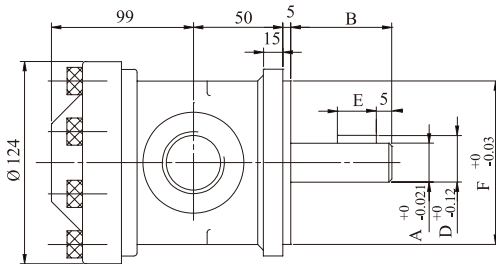
50T (Foot Type) 腳座型

	A	B	C	D	E
NO.01-Shaft	Ø 19.05	36.0	4.76	21.3	32.0
NO.02-Shaft	Ø 22.0	46.0	5.0	24.0	30.0

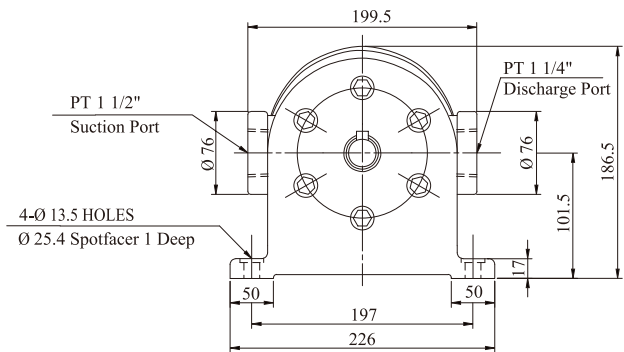
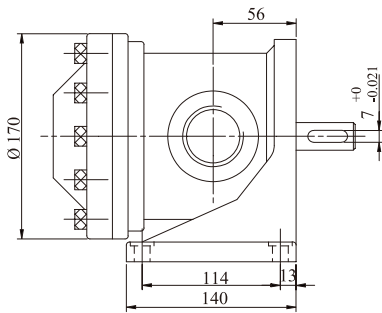


50T (Flange Type) 法蘭型

	A	B	C	D	E	F
NO.01-Shaft	Ø 19.05	36.0	4.76	21.3	32.0	Ø 95.02
NO.02-Shaft	Ø 22.0	46.0	5.0	24.0	30.0	Ø 96.02



150T (Foot Type) 腳座型



150T (Flange Type) 法蘭型

