





FILTRAZIONE IDRAULICA
HYDRAULIC FILTRATION



FILTREC®
Technical Filtration

serie
FA-4



Serie FA-4

Filtri avvitabili
Spin-on filter



FILTER HOUSING

Description:
Max flow rate:
Max working pressure:
Test pressure:
Burst pressure:
Pressure fatigue test:
Connection Ports:
By-pass setting:
Indicator:
Working temperature:
Materials:

Fluids compatibility:

FILTER ELEMENT

Filter media:

Collapse pressure:

Technical Information

In line pressure and return spin-on filter assemblies.

200 l/min (53 gpm)
 As per NFPA T 3.10.17
 As per NFPA T 3.10.17
 As per NFPA T 3.10.17
 As per NFPA T 3.10.17

FA-4-1x	FA-4-21
500 psi	348 psi
754 psi	522 psi
1.000 psi	798 psi
0-500 psi *	0-348 psi *

* ≥ 100.000 cycles

As per NFPA T 3.10.17
 As per NFPA T 3.10.17
 As per NFPA T 3.10.17
 As per NFPA T 3.10.17
 BSP, NPT
 3,5 Bar (50 psi)
 Visual and electrical
 -25°C +120°C (-13°F +248°F)

- Head: aluminium
- Housing: carbon steel + aluminium
- Seal: Buna-N (NBR) / Viton®

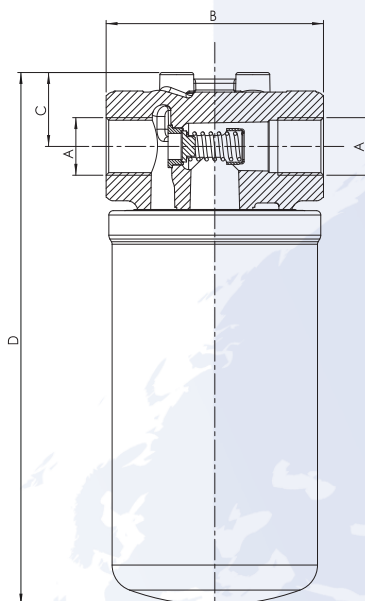
ISO 2943: Filter assembly compatible with mineral oils and some synthetic or vegetable oils. With other fluid applications please contact Filtrec S.p.A.

Microglass fiber 3, 6, 10, 15, 25, 40 µm
 Cellulose 10, 25 µm
 Wire mesh 150 µm
 As per ISO 2941

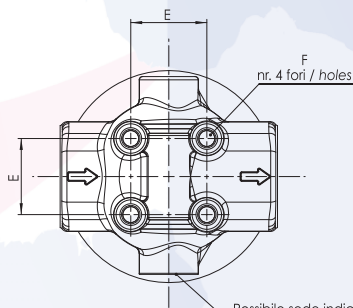
FA-4-1x	FA-4-21
15 Bar	12 Bar

Informazioni dimensionali - Overall dimensions

FA-4-1x
FA-4-21



Distanza minima per rimozione cartuccia 30 mm
Clearance for element removal 30 mm



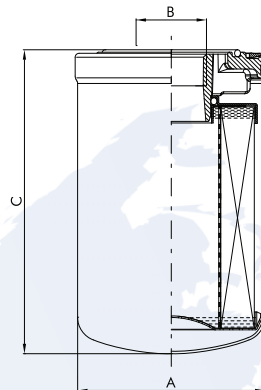
Possibile sede indicatore opzionale M18 x 1,5
Possible indicator port M18 x 1,5

1) Grandezza nominale - Nominal size

Codice - Code	A	B	C	D	E	Cart. ricambio Element
FA-4-05	3/4" BSP 3/4" NPT 1" BSP 1" NPT	100	34	165	35	A-4-05
FA-4-11				216		A-4-11
FA-4-12				245		A-4-12
FA-4-13				302		A-4-13
FA-4-21	1 1/4 BSP 1 1/4 NPT	121	40	369	48	A-4-21

2) Dimensioni cartucce - Element size

Codice - Code	A	B	C
A-4-05	97	1" 3/8-12 UN 2B	100
A-4-11	97	1" 3/8-12 UN 2B	152
A-4-12	97	1" 3/8-12 UN 2B	180
A-4-13	97	1" 3/8-12 UN 2B	240
A-4-21	120	1" 3/4-12 UN 2B	295



3) Grado di filtrazione - Filtration ratings

Codice - Code	Materiale - Media	Efficienza - Efficiency
0	senza cartuccia / no element	-----
G03	microfibra inorganica / microglass fiber	$\beta_{4,5 \mu m (c)} \geq 1000$
G06	microfibra inorganica / microglass fiber	$\beta_{7 \mu m (c)} \geq 1000$
G10	microfibra inorganica / microglass fiber	$\beta_{12 \mu m (c)} \geq 1000$
G15	microfibra inorganica / microglass fiber	$\beta_{18 \mu m (c)} \geq 1000$
G25	microfibra inorganica / microglass fiber	$\beta_{27 \mu m (c)} \geq 1000$
C10	carta trattata / resin impregnated cellulose	$\beta_{10 \mu m (c)} \geq 2$
C25	carta trattata / resin impregnated cellulose	$\beta_{25 \mu m (c)} \geq 2$
T150	tela metallica / wire mesh	-----

4) Guarnizioni - Seals

Codice - Code	Tipo - Type
---	NBR
V	Viton®

5) Connesioni - Connection port

Codice - Code	B	F
B4	3/4" BSP	M10
B5	1" BSP	M10
B6	1" 1/4 BSP	M10
N4	3/4" NPT	3/8"-16 UNC
N5	1" NPT	3/8"-16 UNC
N6	1" 1/4 NPT	3/8"-16 UNC

Per NPT contattare l'ufficio commerciale
For NPT please contact sales department

6) Valvola di by-pass - By-pass valve

Codice - Code	Taratura - Setting
0	senza / without
D	ritorno o in linea / return or in-line (3,5 Bar - 50 psi)

7) Indicatori - Indicator

Codice - Code	Tipo indicatore - Indicator type	Taratura - Setting
0	senza / without	
Z34	differenziale visivo differential visual switch	2,7 Bar 39 psi
Z35	differenziale elettrico differential electric switch	2,7 Bar 39 psi

Codici per l'ordinazione - Ordering information

Filtro completo
Filter assembly

FA-4

21

C10

V

B6

D

Z34

1*

3*

4*

5*

6*

7*

Cartuccia
Filter element

A-4

21

C10

V

2*

3*

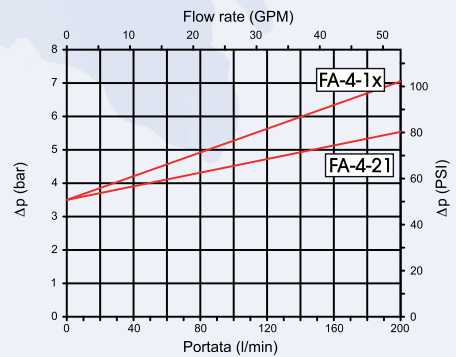
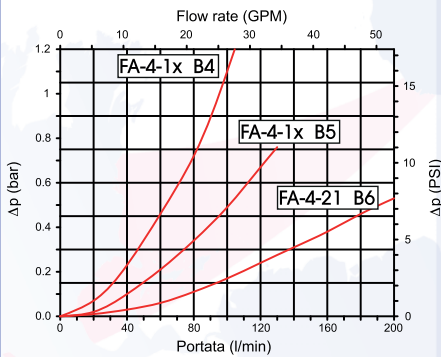
4*

Filtro Housing

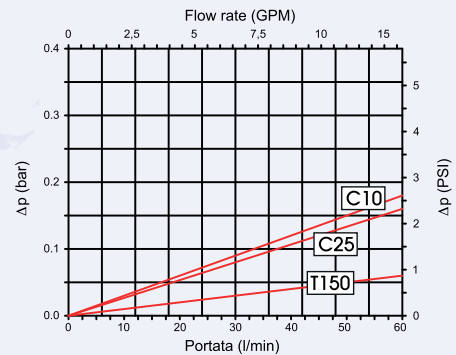
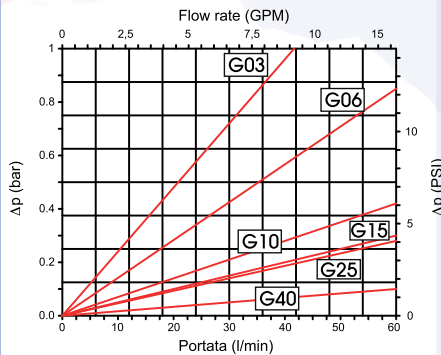
Curve di portata - Pressure drop charts

Le curve (secondo ISO 3968 classe B) sono ottenute con olio minerale avente viscosità di 30 cSt e densità di 0,86 Kg/dm³. Per viscosità e densità diverse i dati variano.

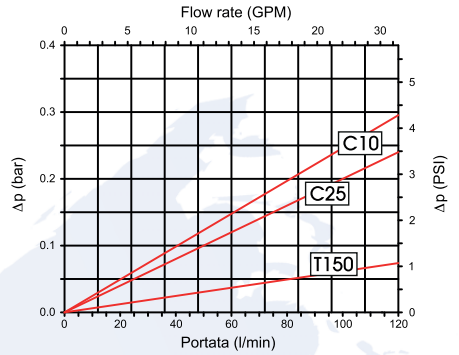
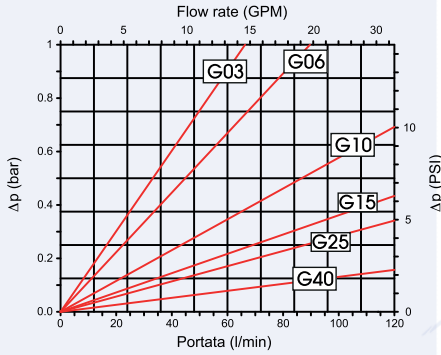
Pressure drop charts (as per ISO 3968 class B) are obtained using mineral oil with 30 cSt viscosity and 0,86 Kg/dm³ density. With different values of viscosity and density data may vary.



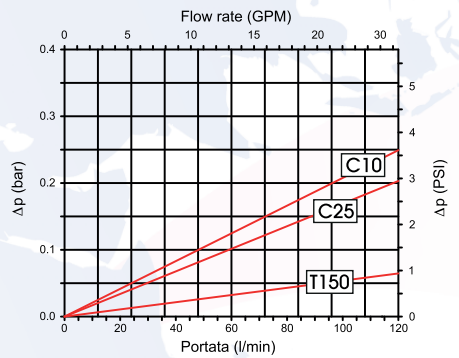
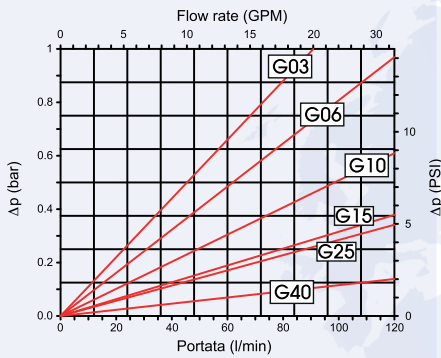
A-4-05



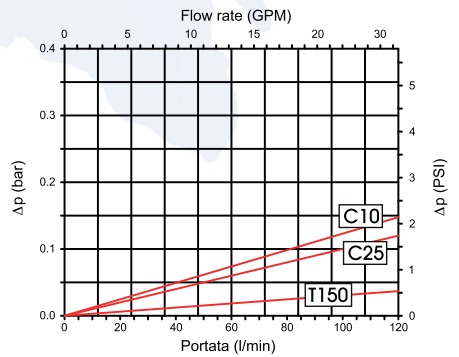
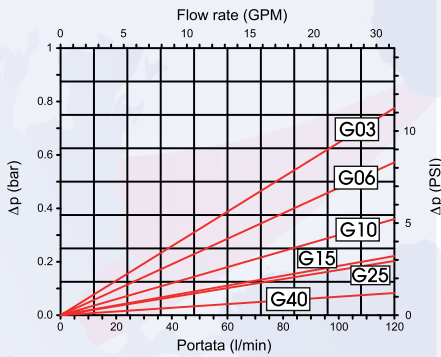
A-4-11



A-4-12



A-4-13



A-4-21

