

KINETROL-Actuator Model 10A-100 / 103-100

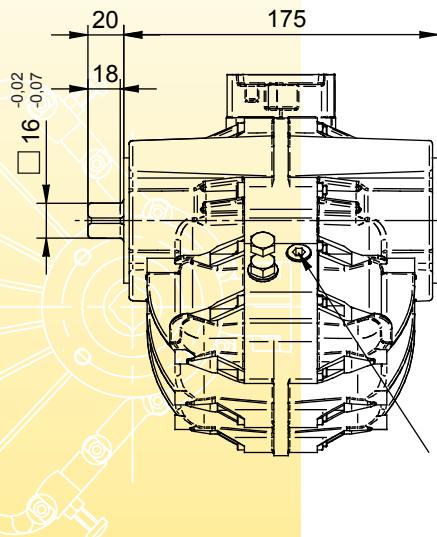
Model 103-100 without NAMUR-adapter-plate

DIN-device
double acting



Specifications

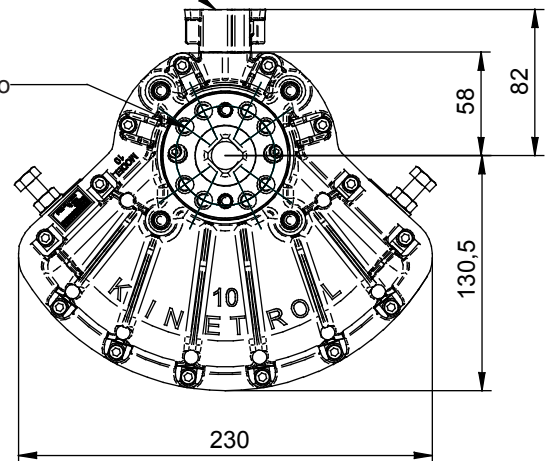
Angle of Travel	78° to 100°
Working Temp. Range	-20°C to +80°C (with VTON-Option up to +100°C)
max. Working Pressure	7bar
max. Overload Pressure	10bar
max. Output Torque	416Nm (at 7bar)
Quality of Air	clean and dry (quality class acc. to ISO8573.1)
Displaced Volume	1025cm ³
Weight	9,8kg
Finish	Epoxy stove enamel



NAMUR-adapter plate
2 air ports R1/4" or
Connection acc. to NAMUR

Flange Dimensions acc. to
EN ISO 5211, F10
4 Mounting Holes
M10 x 16mm deep
Ø102 PCD
Female Square:
□ 22 x 24mm deep

2 Air ports staggered
G1/4"



Options

- Spring Return Unit
spring unit are available for either clockwise (code 120) or counter clockwise (code 130)
- Solenoid Valve acc. to NAMUR
- Limit Switch Unit
- AP-Positioner
- EL-Positioner
- P3-Positioner
- Position Indicator / Monitor

standard stroke adjustment = 90°
recommended seal kit SP056, consisting of:
2 vane seals, 2 expander, 2 shaft seals and sealants

