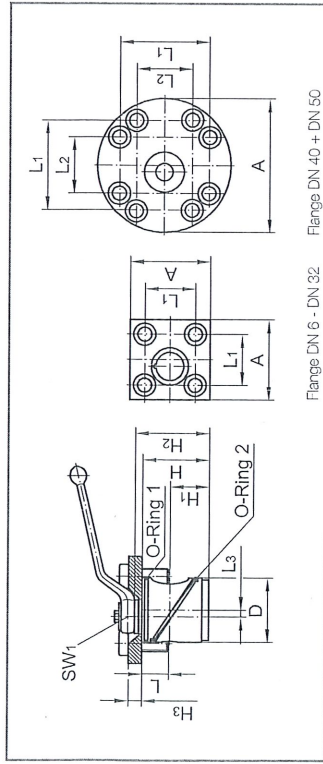


2-way ball valves for manifold insertion as cartridge type

Steel · DN 6 - DN 50



Handle and attachment screws included in delivery
 For handle refer to "Attachments, accessories"
 Actuators and custom orders on request
 All dimensions subject to change without notice

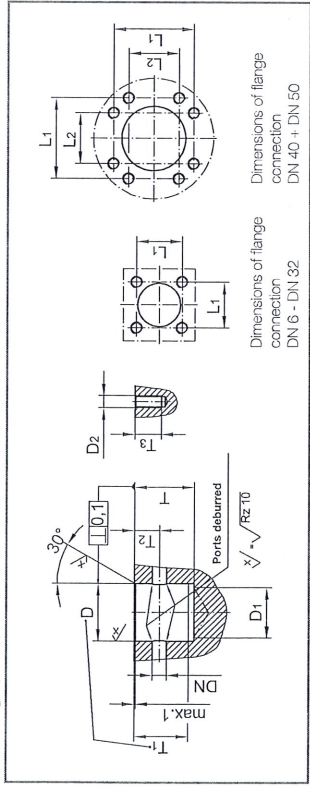
Dimensions in mm
 Weight in kg
 Pressure in bar

| | | |
|-------------|---------------------------|---------------------------|
| Body: | steel, black oxide | steel, black oxide |
| Ball: | steel, hard chrome plated | steel, hard chrome plated |
| Stem: | steel, zinc plated | steel, zinc plated |
| Body seals: | NBR | POM |
| Ball seals: | POM | FKM |
| Stem seals: | NBR | FKM |

| Connection | Flange DN 6 - DN 32 | | | | | | | | | | | Flange DN 40 + DN 50 | | | | | | | | | | |
|------------|---------------------|-----|-------|------|-------|----|----|-----|----|------|-----|----------------------|-------------|----|---------------|---------------|--------|--|-----|-------------|-----|-------------|
| | DN | D | H | H1 | H2 | H3 | L | L1 | L2 | L3 | SW1 | A | Handle Code | DN | O-Ring 1 | O-Ring 2 | Weight | Cylinder-head screws DIN EN ISO 4762 (DIN 912) | PN | Article-No. | PN | Article-No. |
| Cavity | 6 | 36 | 34,6 | 21,0 | 40,5 | 8 | 20 | 38 | - | 5,0 | 7 | 60 | 12 | 6 | 31,00 x 1,50 | 32,00 x 3,00 | 0,55 | M10 x 25-8,8 | 500 | 107 001 | 500 | 107 021 |
| | 10 | 45 | 45,4 | 27,0 | 50,0 | 10 | 20 | 50 | - | 5,0 | 8 | 80 | 13 | 10 | 40,00 x 2,00 | 42,00 x 3,00 | 1,10 | M12 x 25-8,8 | 500 | 107 002 | 500 | 107 022 |
| | 12 | 48 | 49,9 | 28,0 | 56,5 | 10 | 20 | 50 | - | 5,0 | 10 | 80 | 14 | 12 | 43,00 x 2,00 | 46,00 x 3,00 | 1,25 | M12 x 25-8,8 | 400 | 107 003 | 400 | 107 023 |
| | 16 | 54 | 53,9 | 31,0 | 59,5 | 10 | 20 | 60 | - | 5,5 | 10 | 90 | 14 | 16 | 49,00 x 2,00 | 50,39 x 3,53 | 1,55 | M12 x 25-8,8 | 315 | 107 009 | 315 | 107 029 |
| | 20 | 63 | 64,9 | 36,0 | 74,5 | 18 | 25 | 70 | - | 7,0 | 14 | 100 | 15 | 20 | 55,20 x 3,00 | 61,00 x 3,50 | 2,95 | M16 x 35-8,8 | 315 | 107 004 | 315 | 107 024 |
| | 25 | 70 | 70,9 | 39,0 | 81,0 | 18 | 25 | 70 | - | 7,0 | 14 | 100 | 15 | 25 | 63,00 x 3,00 | 67,00 x 4,00 | 3,35 | M16 x 35-8,8 | 315 | 107 005 | 315 | 107 025 |
| | 32 | 92 | 90,0 | 47,5 | 122,5 | 35 | 30 | 100 | - | 10,0 | 17 | 140 | 21 | 32 | 82,14 x 3,63 | 92,00 x 5,00 | 9,10 | M20 x 50-8,8 | 315 | 107 006 | 315 | 107 026 |
| | 40 | 107 | 106,0 | 56,0 | 140,5 | 35 | 30 | 134 | 84 | 10,0 | 17 | 200 | 21 | 40 | 98,02 x 3,53 | 106,00 x 6,00 | 14,65 | M20 x 50-8,8 | 315 | 107 007 | 315 | 107 027 |
| | 50 | 126 | 120,0 | 63,0 | 155,0 | 35 | 30 | 152 | 96 | 11,5 | 17 | 230 | 22 | 50 | 117,07 x 3,53 | 124,00 x 6,00 | 20,60 | M20 x 50-8,8 | 315 | 107 008 | 315 | 107 028 |

| DN | D | D1 | D2 | L1 | L2 | T | T1 | T2 | T3 | Mounting-tool | |
|----|-----|-----|-----|-----|----|-------|-----|------|----|---------------|-------------|
| | | | | | | | | | | DN | Article-No. |
| 6 | 36 | 31 | M10 | 36 | - | 34,7 | 33 | 13,6 | 22 | 6 | 107 051 |
| 10 | 45 | 39 | M12 | 50 | - | 45,5 | 41 | 18,4 | 22 | 10 | 107 052 |
| 12 | 48 | 42 | M12 | 50 | - | 50,0 | 45 | 20,9 | 22 | 12 | 107 053 |
| 16 | 54 | 47 | M12 | 60 | - | 54,0 | 49 | 22,9 | 22 | 16 | 107 054 |
| 20 | 63 | 55 | M16 | 70 | - | 65,0 | 61 | 28,9 | 28 | 20 | 107 055 |
| 25 | 70 | 62 | M16 | 70 | - | 71,0 | 66 | 31,9 | 28 | 25 | 107 056 |
| 32 | 92 | 80 | M20 | 100 | - | 90,0 | 86 | 42,5 | 33 | 32 | 107 057 |
| 40 | 107 | 95 | M20 | 134 | 84 | 106,0 | 101 | 50,0 | 33 | 40 | 107 058 |
| 50 | 126 | 115 | M20 | 162 | 96 | 120,0 | 115 | 57,0 | 33 | 50 | 107 059 |

Drilling pattern



Dimensions of flange connection
 DN 40 + DN 50

Dimensions of flange connection
 DN 6 - DN 32

