



# FC5 series

Photoelectric fork for objects detection without regulation



## features

- Plug and Play without adjustment
- High power RED LED emission
- Minimum size object detection 0,8 mm
- Metal housing
- Connettore M8 a 3 pins
- LED Indicator high visibility
- Switching frequency 4 KHz
- -10...+60 °C operating temperature range
- 3 wires: PNP or NPN, LO or DO



## web contents

- Application notes
- Photos
- Catalogue / Manuals



fork for objects detection without regulation

## code description

FC5 R / D P - 05 06 - 1 F

series	<b>FC5</b>	Fork detection for objects
emission	<b>R</b>	LED red emission
light / dark	<b>D</b>	Dark ON
	<b>L</b>	Light ON
PNP / NPN output	<b>P</b>	PNP digital output
	<b>N</b>	NPN digital output
width slit detection	<b>03</b>	Width slit detection 30 mm
	<b>05</b>	Width slit detection 50 mm
	<b>08</b>	Width slit detection 80 mm
	<b>12</b>	Width slit detection 120 m
	<b>18</b>	Width slit detection 180 mm
depth slit detection	<b>03</b>	Depth slit detection 40 mm
	<b>06</b>	Depth slit detection 60 mm
	<b>12</b>	Depth slit detection 124 mm
housing	<b>1</b>	Metal housing - aluminium
plug	<b>F</b>	Plug M8 3 pin

## available models

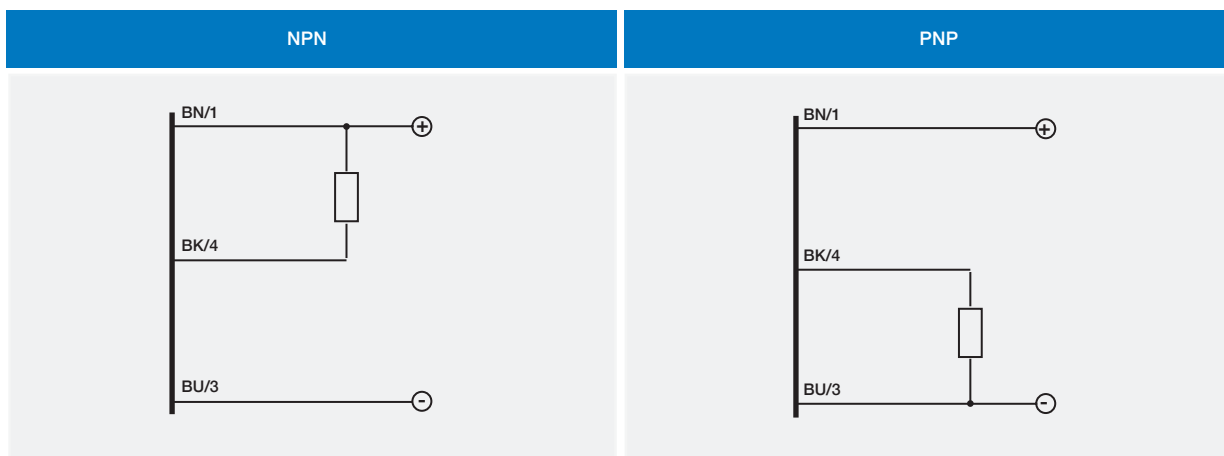
supply	installation	width (mm)	depth (mm)	LO		DO	
				NPN	PNP	NPN	PNP
12...24 Vdc	M8 3 pins	30	40	FC5R/LN-0303-1F	FC5R/LP-0303-1F	FC5R/DN-0303-1F	FC5R/DP-0303-1F
		50	60	FC5R/LN-0506-1F	FC5R/LP-0506-1F	FC5R/DN-0506-1F	FC5R/DP-0506-1F
		80		FC5R/LN-0806-1F	FC5R/LP-0806-1F	FC5R/DN-0806-1F	FC5R/DP-0806-1F
		120		FC5R/LN-1212-1F	FC5R/LP-1212-1F	FC5R/DN-1212-1F	FC5R/DP-1212-1F
		180	124	FC5R/LN-1812-1F	FC5R/LP-1812-1F	FC5R/DN-1812-1F	FC5R/DP-1812-1F

FC5



	FC5R/**_**_**	FC5R/**-18*_**
nominal sensing distance	30... 120 mm	180 mm
minimum detectable object	0.8 mm	1.2 mm
emission	red LED, modulation of light	
external lighth interference	10,000 lux (5,000 lux incandescent lamp)	
operating voltage	12 ... 24 Vdc (with protection against reverse polarity)	
max ripple content	10%	
no-load supply current	≤ 20 mA	
load current	100 mA	
output voltage drop	≤ 1.5 V @ IL = 100 mA	
switching frequency	4,000 Hz	
power supply protections	inverse-polarity protected short-circuit output protected interference suppression.	
temperature range	- 10 ... + 60 °C	
storage temperature	- 40 ... + 80 °C	
protection degree	IP67 (EN60529)	
power on delay	150 ms max	
housing material	painted aluminium and polyamide/glass	
plug	M8 3 pin	
weight (approximate)	60 ... 250 g	

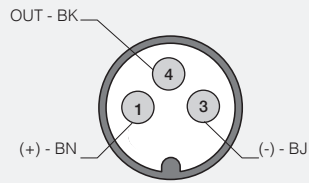
## electrical diagrams of the connections



- BN** brown
- BU** blue
- BK** black
- WH** white
- PK** pink
- GY** gray

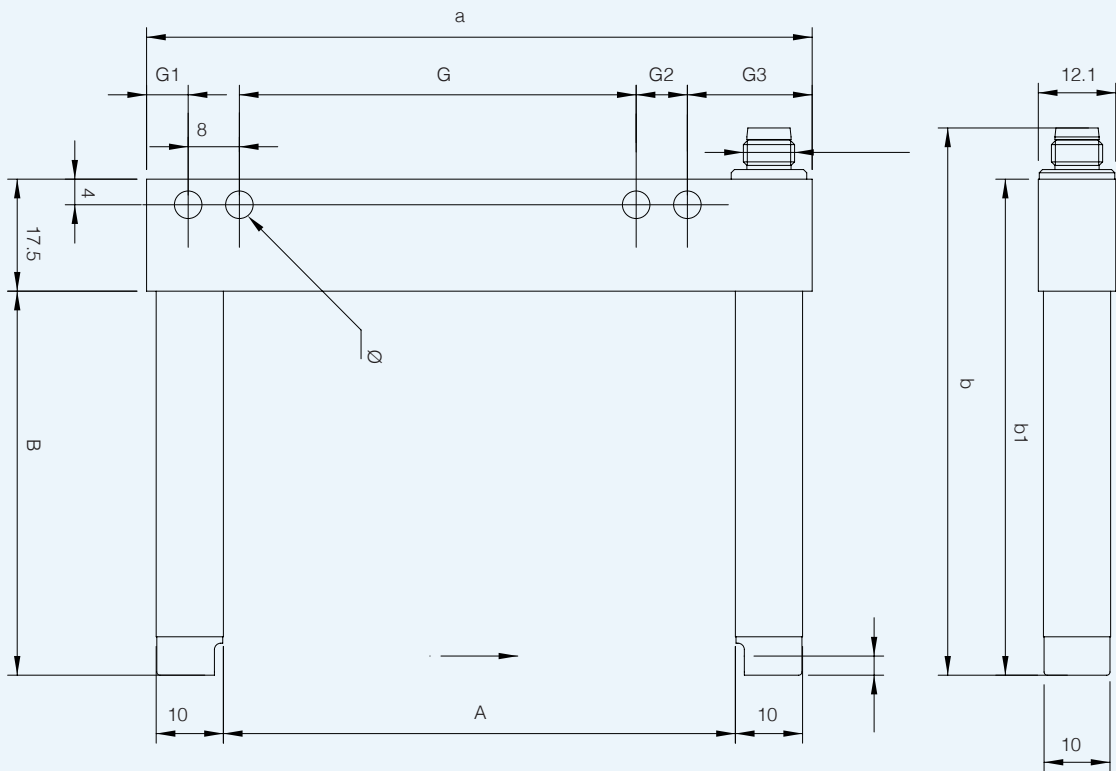


M8 FC5R/\*\*\_\*\*\_\*\*



dimensions (mm)

FC5R/\*\*\_\*\*\_\*\*



models	A (width slit detection)	B (depth slit detection)	a	b	b1	G	G1	G2	G3	Ø
FC5R/**-0303-1F	30	40	54	65.7	57.5	30	17	-	-	4 x 4.3
FC5R/**-0506-1F	50	60	74	85.7	77.5	40	6.5	19.5	8 x 19.5	4 x 4.3
FC5R/**-0806-1F	80	60	104	85.7	77.5	70	6.5	19.5	8 x 19.5	4 x 4.3
FC5R/**-1212-1F	120	124.3	144	150.2	142	100	17	17	8 x 17	4 x 4.3
FC5R/**-1812-1F	180	124.3	144	150.2	142	152	22	8	22	4 x 4.3