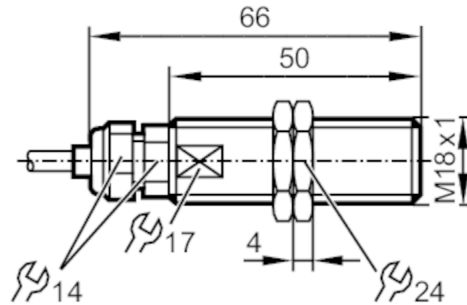


# MGT000



## Magnetic sensor

MGK2030-AKOA/R/2M



### Product characteristics

Electrical design		PNP/NPN
Output function		normally open
Sensing range	[mm]	25; (referred to magnet M 4.0)
Housing		Threaded type
Dimensions	[mm]	M18 x 1 / L = 66

### Application

System		Full-metal housing
Application		high-temperature applications

### Electrical data

Operating voltage	[V]	2...250 AC/DC
Protection class		II
Reverse polarity protection		yes

### Outputs

Electrical design		PNP/NPN
Output function		normally open
Permanent current rating of switching output AC	[mA]	1000
Permanent current rating of switching output DC	[mA]	1000
Short-time current rating of switching output	[mA]	1000
Max. switching power	[W]	100
Short-circuit protection		no
Overload protection		no

### Monitoring range

Sensing range	[mm]	25; (referred to magnet M 4.0)
Magnetic sensitivity	[mT]	7.5

### Operating conditions

Ambient temperature	[°C]	-40...180
Protection		IP 65; IP 68; IP 69K

# MGT000



## Magnetic sensor

MGK2030-AKOA/R/2M

Tests / approvals		
EMC	EN 61000-4-2 ESD	kV CD / 8 kV AD
	EN 61000-4-3 HF radiated	10 V/m
	EN 61000-4-4 Burst	2 kV
	EN 61000-4-5 Surge	1,0 kV line to line, Ri: 2 Ohm
	EN 61000-4-6 HF conducted	10 V
	EN 55011	class B
Shock resistance	EN 60947-5-1	
Vibration resistance	EN 60947-5-1	
MTTF	[years]	57078
Mechanical data		
Weight	[g]	212
Housing		Threaded type
Dimensions	[mm]	M18 x 1 / L = 66
Thread designation		M18 x 1
Material		housing: stainless steel (1.4404 / 316L); sensing face: stainless steel (1.4404 / 316L); lock nuts: brass
Tightening torque for cable gland	[Nm]	5
Tightening torque	[Nm]	50
Full-metal housing		yes
Electrical connection		
Required protection		miniature fuse to IEC60127-2 sheet 1; $\leq 0,175$ A; fast acting
Accessories		
Items supplied		lock nuts: 2
Remarks		
Pack quantity		1 pcs.

# MGT000



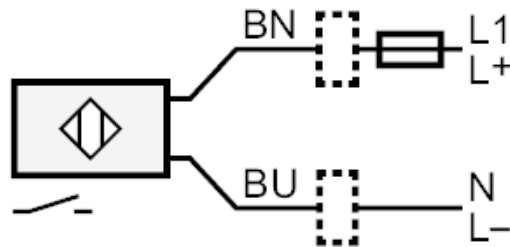
## Magnetic sensor

MGK2030-AKOA/R/2M

### Electrical connection

Cable: 2 m, silicone; 2 x 0.75 mm<sup>2</sup>

### Connection



Note miniature fuse to IEC60127-2 sheet 1  $\leq 0.175$  A fast acting

Core colors :

BN = brown

BU = blue