



## Short Description



- Stainless steel IP68 single point load cell
- Suitable for single load cell structured platform scales
- High accuracy
- Maximum platform size: 600 x 600 mm

Non OIML approved

## Available Models

Capacity	Accuracy	Full Article Description
100kg	C3	BM6E-C3-100kg-2B
200kg	C3	BM6E-C3-200kg-2B
300kg	C3	BM6E-C3-300kg-2B

## Technical Specifications BM6E

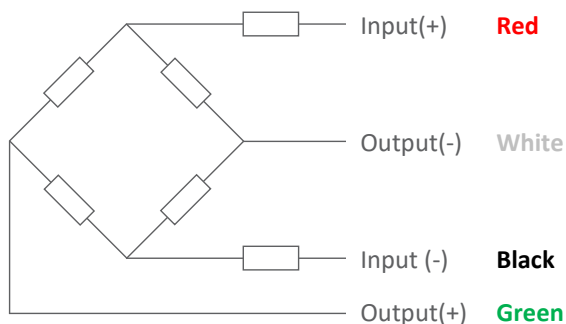
Accuracy Class		C3
Output Sensitivity ( = FS )	mV/V	2.0 ± 0.2
Maximum Capacity ( E <sub>max</sub> )	kg	100, 200, 300
Max. Number of Load Cell Intervals	n <sub>LC</sub>	3000
Ratio of min. LC Verification Interval	$Y = E_{max} / V_{min}$	10000
Combined Error	%FS	≤± 0.023
Creep Error (30 minutes)	%FS	≤± 0.016
Temperature Effect on Zero (ZTC)	%FS/10°C	≤± 0.015
Temperature Effect on Sensitivity (STC)	%FS/10°C	≤± 0.011
Zero Balance	%FS	≤± 1.5
Safe Overload	%FS	150
Ultimate Overload	%FS	300
Maximum Deflection	mm	0.0008 ~ 0.0018
Eccentric Loading Error	%Ld/cm	± 0.002
Excitation, Recommended Voltage	V	5 ~ 12
Excitation, Maximum Voltage	V	18
Input Resistance	Ω	350 ± 3.5
Output Resistance	Ω	351 ± 2.0
Insulation Resistance (50V)	MΩ	≥5000
Compensated Temperature	°C	-10 ~ + 40
Operating Temperature	°C	-35 ~ + 65
Storage Temperature	°C	-40 ~ + 70
Load Cell Weight	kg	~1.4
Element Material		Stainless Steel
Ingress Protection (acc. to EN 60529)		IP68
Recommended Torque on Fixation Bolts	Nm	M6: 10

## Wiring

### Features:

Cable type: Shielded, 4 conductor cable , conductor AWG 22  
 Cable diameter: Ø 5.0mm  
 Cable length: 2.0m  
 Cable jacket: Polyurethane  
 Shield not connected to element

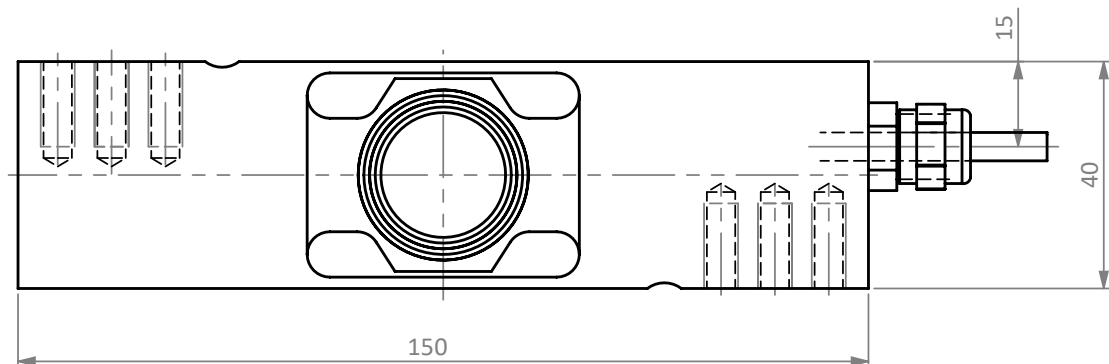
### 4-Wire Connection Diagram



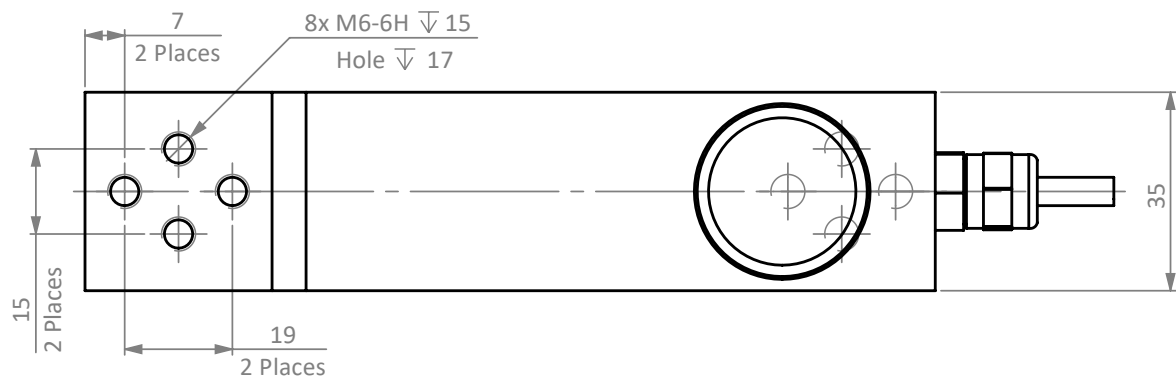
Specifications and dimensions are subject to change without notice and do not constitute any liability whatsoever.

## Dimensions in mm

### Front View



### Top View



### Isometric View

