

MECAN03000096 - 00
POIGNEE TOURNANTE DIAM L40 A TIGE FILETEE M6
EMILE MAURIN
11-065-18 M6

T 610 607 010 - 00
VIS MOLETÉE
XC48
BRUNISSAGE

MECAN04000105 - 00
CIMBLOT D'APPUI DIAM 6 H5
EMILE MAURIN
25-240-6 5

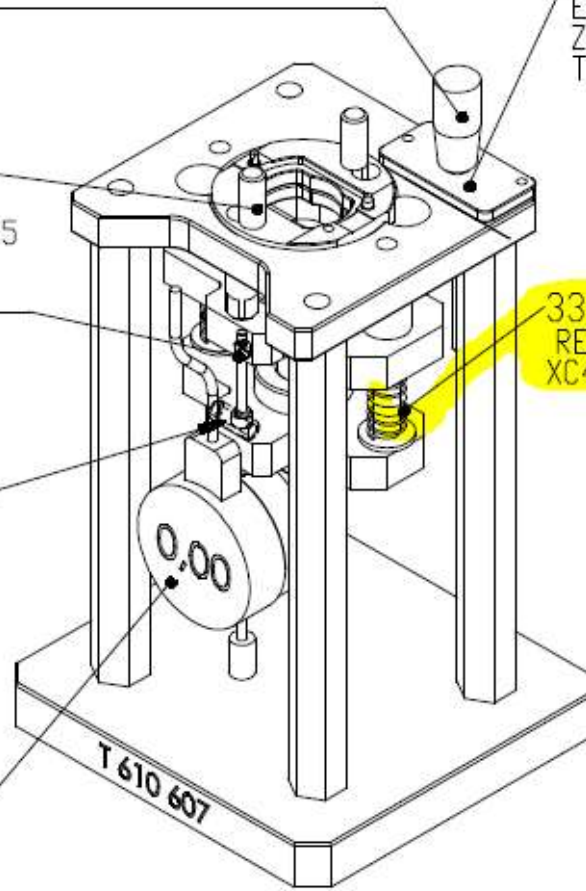
T 610 607 009 - 00
COIN
BRONZE
-

MECAN03000255 -
COMPARATEUR

1086R 4337031

T 610 607 014 - 01
ETALON BAGUE
Z 160 CDV12
T6 56-58 Hrc

33226 C.135.100.0360-A -
RESSORT
XC48



A

B

C