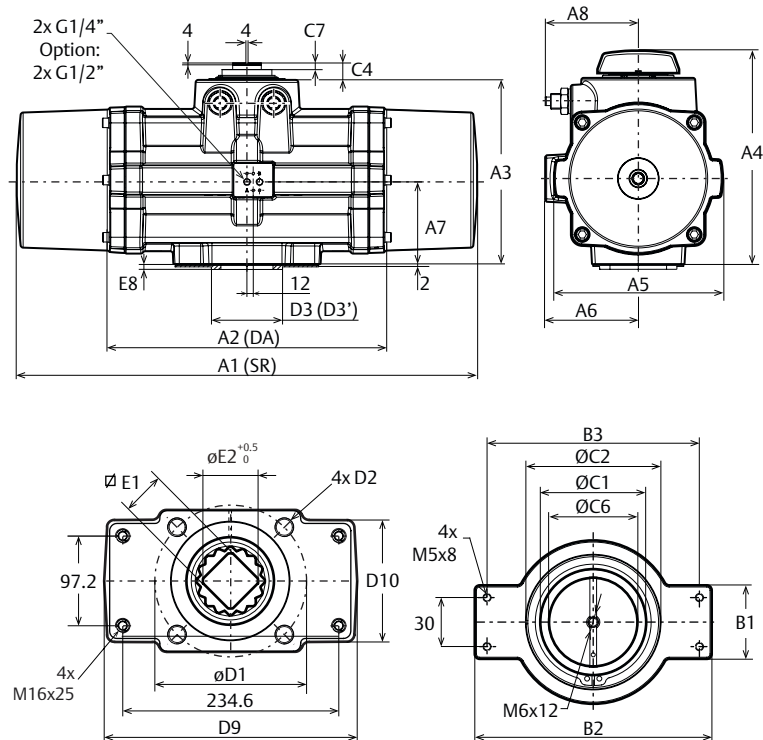


Data sheet F 2500

Metric - DIN3337



Dim. in mm		Size 2500							
A1	A2	A3	A4	A5	A6	A7	A8	E1	Max.
877	550	353	392	350	170	157	181	46,16	
B1	B2	B3	C1	C2	C3	C4	C5	E1	Min.
45	145	130	90	118	36	30	10	46,00	
D1	D2	D3	D1'	D2'	D3'	D9	D10	E2	
165	M20x20	130	-/-	-/-	-/-	280	132	60.2	

Torque Output (N.m)																				
Spring Return																				
Spring set	Spring Stroke Torque		Air Stroke Torque (N.m)																	
	Start	End	2.0 barg		3.0 barg		4.0 barg		4.5 barg		5.0 barg		5.5 barg		6.0 barg		7.0 barg		8.0 barg	
			Start	End	Start	End	Start	End	Start	End	Start	End	Start	End	Start	Start	Start	End	Start	End
10	295	180	767	624	1276	1133	1785	1642	2039	1896	2294	2151	2548	2405	2803	2660	3312	3169	3820	3678
20	589	361	541	256	1050	765	1559	1274	1814	1528	2068	1783	2323	2037	2577	2292	3086	2801	3595	3309
30	884	541	-	-	825	397	1334	905	1588	1160	1843	1414	2097	1669	2352	1923	2860	2432	3369	2941
40	1178	722	-	-	-	-	1108	537	1363	792	1617	1046	1871	1301	2126	1555	2635	2064	3144	2573
50	1473	902	-	-	-	-	883	169	1137	423	1391	678	1646	932	1900	1187	2409	1696	2918	2205
60	1768	1083	-	-	-	-	-	-	911	55	1166	310	1420	564	1675	819	2184	1327	2693	1836
Double acting			956		1447		1937		2182		2427		2673		2918		3408		3899	

Notes:

- Volume is the actual free air volume at 1 atm
- Flange and square drive to ISO 5211
- Solenoid mounting interface according to VDI/VDE 3845 (NAMUR)
- For further information regarding options, materials, certifications and additional execution please contact your regional sales office

European Directives:

- Suitable for use with group 2 gases according to Pressure Equipment Directive (PED) 2014/68/EU
- Suitable for use in hazardous areas classified II 2 GD, zones 1 or 2 (gases) and 21 or 22 (dust) according to ATEX Directive 2014/34/EU
- For the configuration code please consult EFG.02.01.EN

Principle	
Pneumatic rack & pinion actuator	
General data	
Bore	250.0 mm
Stroke	84.8 mm
Weight	DA 55.0 kg
	SR 100.0 kg
Volume	Port A 12.6 L
	Port B 11.9 L
Air connection	2x 1/4" BSP
Pressure range	MOP 8.3 barg
	SR 3-8.3 barg
	DA 0.2 - 8.3 barg
Pressure media	Clean, dry or lubricated air or inert gas.
Cycle speed DA ⁽²⁾	Open 5.8 Sec.
	Close 5.2 Sec.
Cycle speed SR ⁽²⁾	Open 16.9 Sec.
	Close 5.7 Sec.
Temperature range	-20°C to +80°C
Lubrication	Lubricated for life ⁽¹⁾
Stroke	90°
Over / Under travel	+3° / -3° at each end
Finish	Polyurethane powder coat

- According EN 15714-3.
- Test conditions:
Solenoid with flow capacity: 0.6 m3/hr; Pipe diameter: 6mm; Medium: clean air, Supply pressure: 5.5 barg ~ 80psig; Load: with average load; Stroke: 90°; Temperature: Room temperature
- Dimensions D1, D2 und D3 are standard. Drilling pattern 234.6 x 97.2 represent 4 holes of a F25 drilling pattern.
- DA = Double Acting, SR = Spring Return