



# Intrinsically safe manual call point IP67

## *Salwico ACP-IS*

Part no. 60060-001010

System: Salwico CS3000\*, CS4000 and NSAC-1 Fire Alarm

### Description

ACP-IS is an intrinsically safe addressable manual call point for the fire alarm systems CS3000, CS4000 and NSAC-1.

ACP-IS is connected to the detector loop via ISOLATOR-A. Up to 20 addressable IS units can be connected to an ISOLATOR-A.

Pressing the glass causing it to crack activates the fire alarm. The call point can also be tested with a special key, included in the delivery.

A red LED on the front of the call point indicates the fire alarm. The LED remains lit until the glass has been replaced and the fire alarm has been reset on the control panel.

The address of the call point is set with a DIP-switch.

Clean the manual call point by using a damp cloth.

### Safety Data

Maximum input voltage ( $U_i$ )	28 VDC
Maximum permissible current ( $I_i$ )	93 mA
Maximum permissible power ( $P_i$ )	651 mW
Maximum internal capacitance ( $C_i$ )	33 pF
Maximum internal inductance ( $L_i$ )	Negligible
Responsible manufacturer	Consilium Fire & Gas, www.consilium.se

Clean the manual call point by using a damp cloth.

### Data

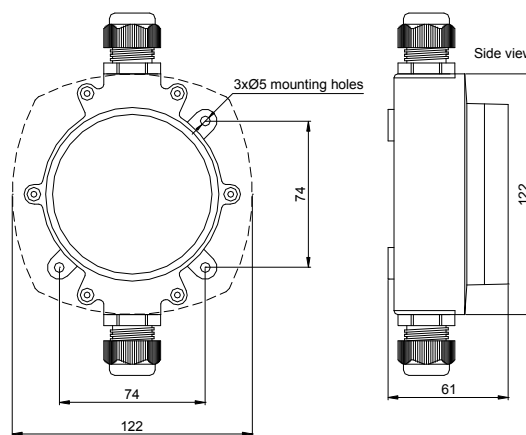
Operating voltage	15–28 VDC
Normal current	0.2 mA
Ambient humidity	0 to 95%RH
Temperature range	-25°C to +50°C
Ex class	⊕ II 1G EEx ai II C T5 T <sub>a</sub> 50°C
Cert. NEMKO	04ATEX1246X
CE	CE0470
Ingress protection	IP67
Cable diameter	4–12 mm
Cable terminals	max 2.5 mm <sup>2</sup>
Material	PC/ABS
Colour	Red
Weight	~365 g
Spare glasses (10 pcs)	Part no N1311
Insulation	More than 500V r.m.s. a.c. between IS circuit and frame.

\*SPK-2 for NOSE based detectors

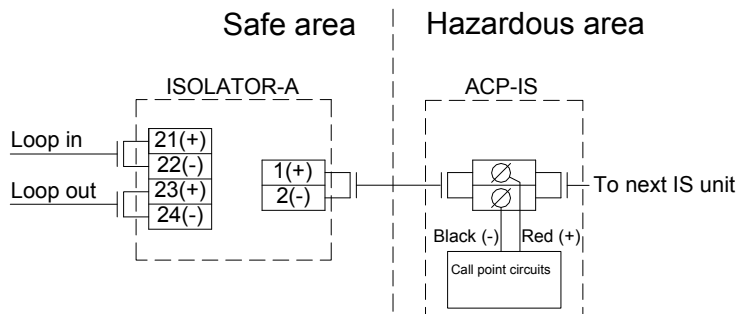
### Test & dimensions (mm)



The call point can easily be tested by inserting the test key that is included with each call point.



### Connection



Specifications may be subject to change for improvement without prior notice

Data sheet no: 60060-001010.10.1.E