



## Namur Type Solenoid Valve

### Design and Features



Armed with special high precision finishing technique and adopted the integral slot throttle structure, our solenoid valve has good performance and good change over with long service life, handsome shape and large airflow.

The plate connection type comply With NAMUR standard is widely applied in pneumatic system. 3/2 is used for spring return actuator and 5/2 is used for double acting actuator.

- NAMUR interface
- High switch reliability
- No matter the orientation, valve can be mounted in any position

**-Valve body:**

Aluminum anodized  
 Adapter bore: G1/8" ,G1/4" , G3/8" ,G1/2"  
 Operating temperature: 5~50°C

- Working pressure: 1.5~10Bar
- Coil voltage: DC:12V, 24V AC: 24V,110V,220V,380V 50/60Hz
- Coil enclosure: NEMA4, IP65, CE registered

### Performance Data

Working Medium	Motion Pattern	Working pressure	Max. Pressure Resistance
40 Micron Filtered Air	Inner Guide Type	0.15~0.8MPa	1.2MPa
Operating Temperature	Voltage Range	Power Consumption	Wiring Form
5~50°C	±10%	AC: 5.5VA DC: 4.8W	Lead Wire or Connector type
Highest Action Frequency	Shortest Excitation Time	Coil Voltage	Insulation Protection Class
5 Cycle/Sec	0.05 Second	AC: 24V, 110V, 220V, 380V 50/60Hz; DC: 12V, 24V	F Class, IP65



## Namur Type Solenoid Valve

### Ordering Code

5W2P      3      10      —      08      B      —      AC220V

**Series Code**  
200 Series (CV=0.67~0.89)  
300 Series (CV=1.00~1.68)  
400 Series (CV=1.68~2.79)

**Coil and Places**  
10: Single-head Double-position  
20: Double-head Double-position  
30C: Double-head Three-position(close type)

**Standard Voltage**  
DC 12V  
DC 24V  
AC 24V 50Hz/60Hz  
AC 110V 50Hz/60Hz  
AC 220V 50Hz/60Hz  
AC 380V 50Hz/60Hz

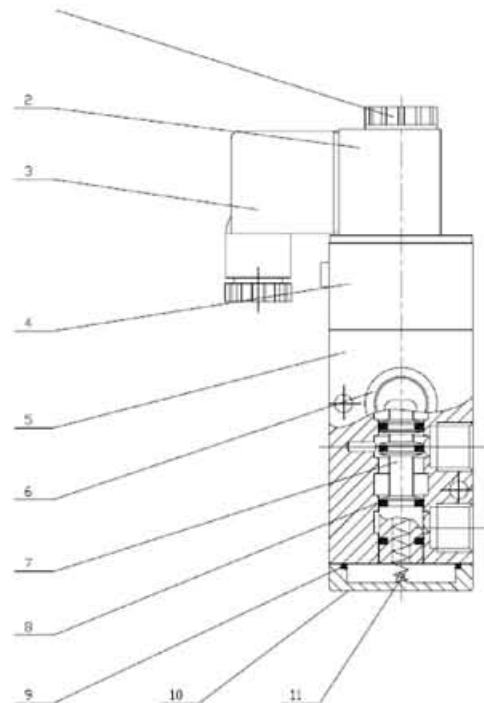
**Specification Code**  
3W2P: Three-way Two Position  
5W2P: Five-way Two Position  
5W3P: Five-way Three Position

**Joint Pipe Bore**  
06: 1/8"  
08: 1/4"  
10: 3/8"  
15: 1/2"

**Joint Pipe Form and Initial State**  
Blank: Pipe Connection Type  
B: Plate Connection Type  
NC: Three-way Two Position(Normal close type)  
NO: Three-way Two Position(Normal open type)

### Part and material

No	Item	Material
1	Nut	Plastic
2	Coil	/
3	Socket	Plastic
4	Plunger	Aluminum
5	Body	Anodized aluminum
6	O-ring	NBR
7	Spool	Alu.alloy
8	Flat ring	NBR
9	Rhombus ring	NBR
10	Cover	Alu.alloy
11	Spring	SS



### Specification

Model	Position Number	Joint Pipe Bore	Coil Number	Effective Section
3W2P210-06B	Three-way Two position	Inlet=outlet= G1/8"/NPT Exhaust= G1/8"/NPT	Single	14mm <sup>2</sup> (CV=0.78)
3W2P220-06B	Three-way Two position	Inlet=outlet= G1/8"/NPT Exhaust= G1/8"/NPT	Double	14mm <sup>2</sup> (CV=0.78)
5W2P210-06B	Five-way Two position	Inlet=outlet= G1/8"/NPT Exhaust= G1/8"/NPT	Single	14mm <sup>2</sup> (CV=0.78)

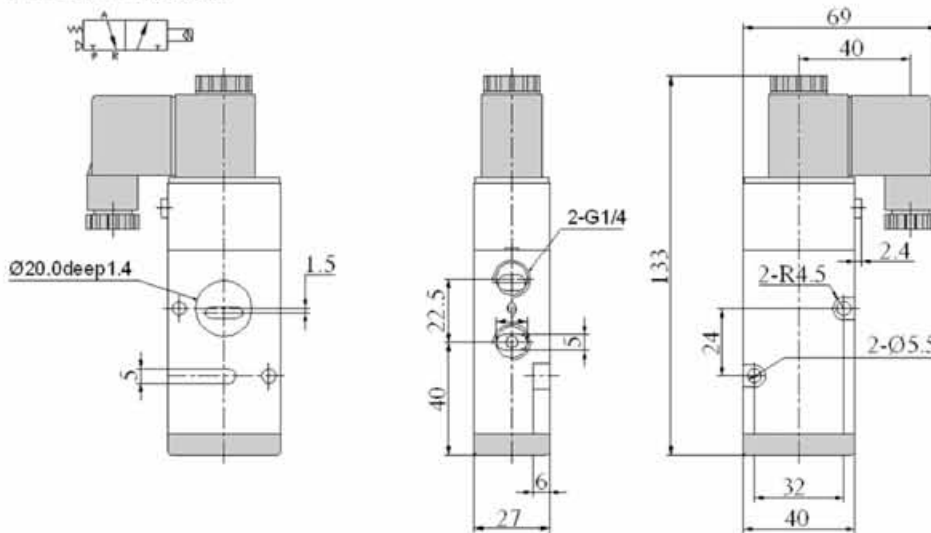


## Namur Type Solenoid Valve

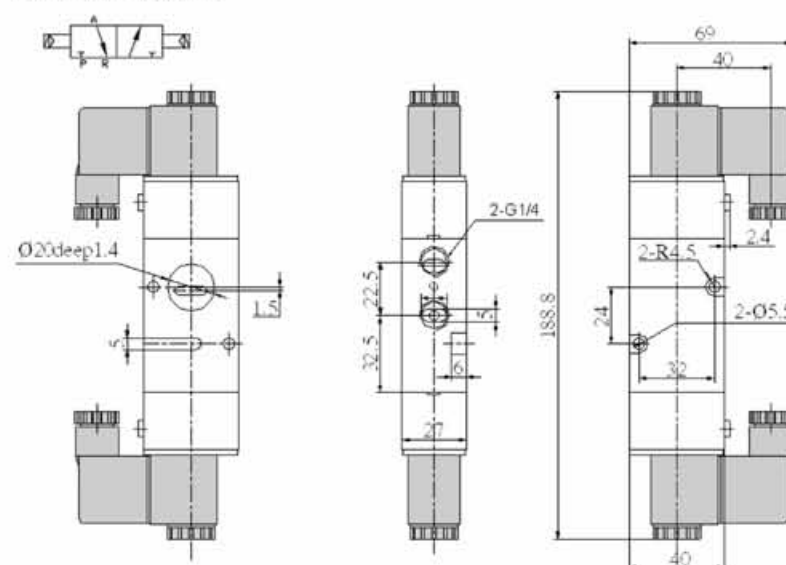
5W2P220-06B	Five-way Two position	Inlet=outlet= G1/8"/NPT	Exhaust= G1/8"/NPT	Double	14mm <sup>2</sup> (CV=0.78)
5W3P230C-06B	Five-way three position	Inlet=outlet= G1/8"/NPT	Exhaust= G1/8"/NPT	Double	12mm <sup>2</sup> (CV=0.67)
3W2P210-08B	Three-way Two position	Inlet=outlet= G1/4"/NPT	Exhaust= G1/8"/NPT	Single	16mm <sup>2</sup> (CV=0.89)
3W2P220-08B	Three-way Two position	Inlet=outlet= G1/4"/NPT	Exhaust= G1/8"/NPT	Double	16mm <sup>2</sup> (CV=0.89)
5W2P210-08B	Five-way Two position	Inlet=outlet= G1/4"/NPT	Exhaust= G1/8"/NPT	Single	16mm <sup>2</sup> (CV=0.89)
5W2P220-08B	Five-way Two position	Inlet=outlet= G1/4"/NPT	Exhaust= G1/8"/NPT	Double	16mm <sup>2</sup> (CV=0.89)
5W3P230C-08B	Five-way three position	Inlet=outlet= G1/4"/NPT	Exhaust= G1/8"/NPT	Double	12mm <sup>2</sup> (CV=0.67)
3W2P310-08B	Three-way Two position	Inlet=outlet= G1/4"/NPT	Exhaust= G1/4"/NPT	Single	25mm <sup>2</sup> (CV=1.40)
3W2P320-08B	Three-way Two position	Inlet=outlet= G1/4"/NPT	Exhaust= G1/4"/NPT	Double	25mm <sup>2</sup> (CV=1.40)
5W2P310-08B	Five-way Two position	Inlet=outlet= G1/4"/NPT	Exhaust= G1/4"/NPT	Single	25mm <sup>2</sup> (CV=1.40)
5W2P320-08B	Five-way Two position	Inlet=outlet= G1/4"/NPT	Exhaust= G1/4"/NPT	Double	25mm <sup>2</sup> (CV=1.40)
5W3P330C-08B	Five-way three position	Inlet=outlet= G1/4"/NPT	Exhaust= G1/4"/NPT	Double	18mm <sup>2</sup> (CV=1.00)
3W2P310-10B	Three-way Two position	Inlet=outlet= G3/8"/NPT	Exhaust= G1/4"/NPT	Single	30mm <sup>2</sup> (CV=1.68)
3W2P320-10B	Three-way Two position	Inlet=outlet= G3/8"/NPT	Exhaust= G1/4"/NPT	Double	30mm <sup>2</sup> (CV=1.68)
5W2P310-10B	Five-way Two position	Inlet=outlet= G3/8"/NPT	Exhaust= G1/4"/NPT	Single	30mm <sup>2</sup> (CV=1.68)
5W2P320-10B	Five-way Two position	Inlet=outlet= G3/8"/NPT	Exhaust= G1/4"/NPT	Double	30mm <sup>2</sup> (CV=1.68)
5W3P330C-10B	Five-way three position	Inlet=outlet= G3/8"/NPT	Exhaust= G1/4"/NPT	Double	18mm <sup>2</sup> (CV=1.00)
3W2P410-15B	Three-way Two position	Inlet=outlet= G1/2"/NPT	Exhaust= G1/2"/NPT	Single	50mm <sup>2</sup> (CV=2.79)
3W2P420-15B	Three-way Two position	Inlet=outlet= G1/2"/NPT	Exhaust= G1/2"/NPT	Double	50mm <sup>2</sup> (CV=2.79)
5W2P410-15B	Five-way Two position	Inlet=outlet= G1/2"/NPT	Exhaust= G1/2"/NPT	Single	50mm <sup>2</sup> (CV=2.79)
5W2P420-15B	Five-way Two position	Inlet=outlet= G1/2"/NPT	Exhaust= G1/2"/NPT	Double	50mm <sup>2</sup> (CV=2.79)
5W3P430C-15B	Five-way three position	Inlet=outlet= G1/2"/NPT	Exhaust= G1/2"/NPT	Double	30mm <sup>2</sup> (CV=1.68)

### Overall Dimension

TYPE:3W2P310-08B



TYPE:3W2P320-08B

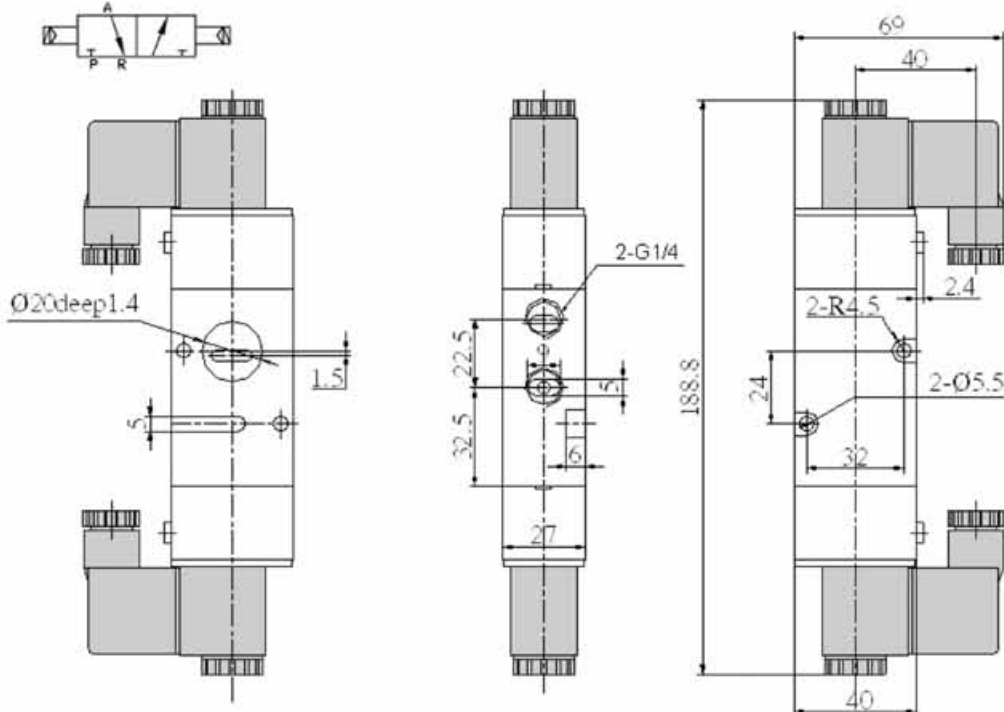






## Namur Type Solenoid Valve

TYPE:3W2P320-08B



TYPE:5W2P320-08B

