

## HEAVY-DUTY PUSH-PULL CLAMPS

MODEL P600



**Plunger:** Ground Steel.  
Locks at both extended & retracted ends of the stroke.

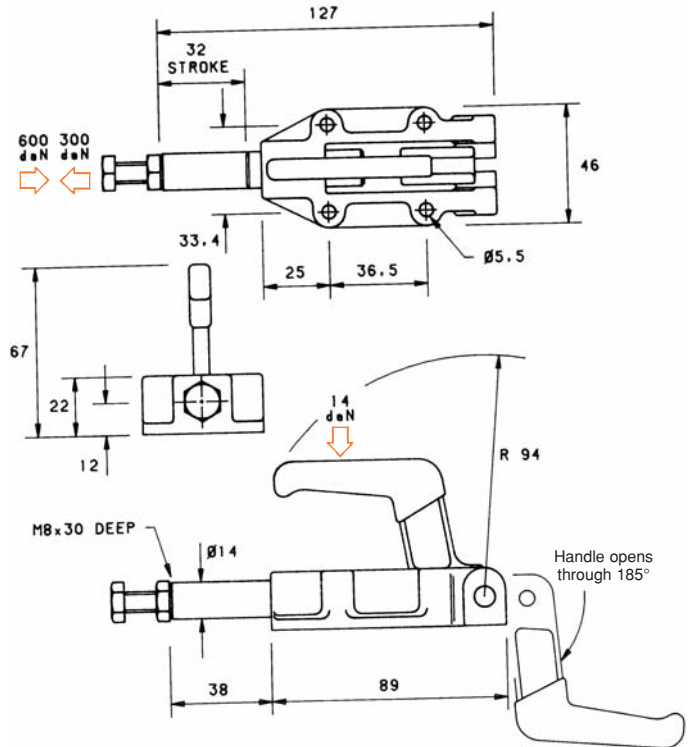
**Base:** SG Iron Casting.  
Body mounting.

**Nominal Holding Force:**  
600 daN

**Weight:**  
0.45 Kg

**Supplied complete with:**  
MB0840 Setscrew & nut.

See "Accessories" for other items.



MODEL P1200



**Plunger:** Ground Steel.  
Locks at both extended & retracted ends of the stroke.

**Base:** SG Iron Casting.  
Body mounting.

**Nominal Holding Force:**  
1200 daN

**Weight:**  
1.35 Kg

**Supplied complete with:**  
MB1050 Setscrew & nut.

See "Accessories" for other items.

