

Conductive Plastic Angle Sensor

CPP-45RBN

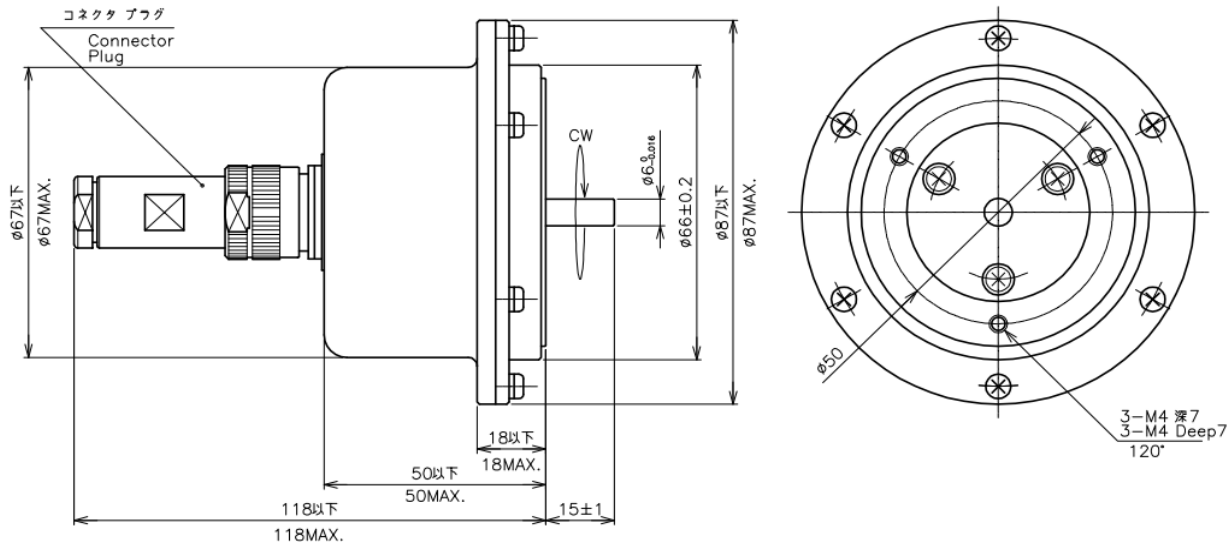


- Conductive Plastic Angle Sensor
- Effective Electrical Travel : 350°
- Independent Linearity : $\pm 0.3\%$ (Special Linearity : $\pm 0.1\%$)
- Screw Mount
- Rugged Housing Design

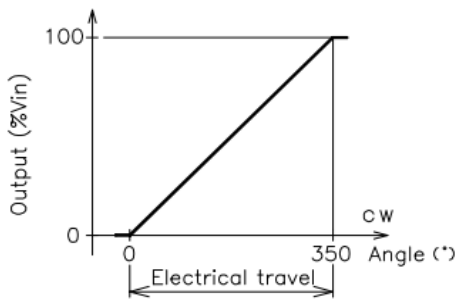
【Material】

- Housing : Aluminum
- Shaft : Stainless Steel
- Ball Bearing : Stainless Steel

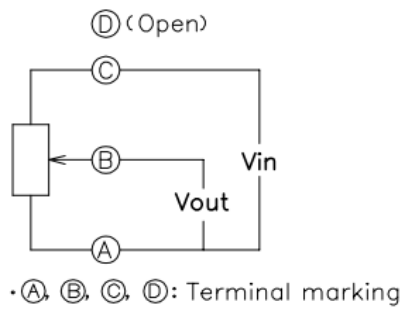
Dimension [mm]



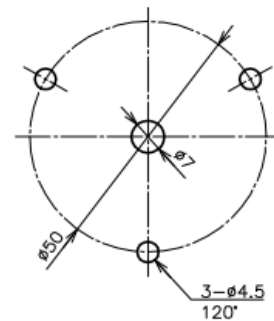
Output Characteristics



Schematic



Mounting



Screw Mount

【Model No.】	CPP-45RBN
--------------------	------------------

【Electrical Specifications】		
Effective Electrical Travel	350 +2, -3	°
Total Resistance	0.5, 1, 2, 5, 10, 20	kΩ
Total Resistance Tolerance	±15	%
Independent Linearity	±0.3 (Special Linearity ±0.1%)	%
Rated Dissipation	3/70°C	W
Output Smoothness	MAX. 0.1	%
Insulation Resistance	MIN. 100/DC1000V	MΩ
Dielectric Strength	AC1000/1 Minute	V
Temperature Coefficient of Resistance	±400	ppm/K

【Mechanical Specifications】		
Total Mechanical Travel	360 Endless	°
Torque	MAX. 25	mN·m
Thrust Load Tolerance	2	N
Radial Load Tolerance	4	N
Mass	Approx. 600 (Additional 10g/add one gang)	g
IP Level	IP54	

■ Accessories

Connector Plug : TAJIMI Parts# TC1108-12A10-4F8
(Mating Cable outer dimension : φ8)

■ Handling Instruction

- To avoid burnout of resistive element, do not supply more than 1mA current to terminal 2.
- Miswiring might cause burnout of resistive element.
- To reduce sliding noise, add load resistance should be more than 100times and less than 1000times of total resistance.
- Slight continuous vibration such as dither might cause short lifetime of the sensor.